

EE100 Lab 3 Experiment Guide: RC Circuits

I. Introduction

A. Capacitors

A capacitor is a passive electronic component that stores energy in the form of an electrostatic field. The unit of capacitance is the farad (coulomb/volt). Practical capacitor values usually lie in the picofarad ($1 \text{ pF} = 10^{-12} \text{ F}$) to microfarad ($1 \text{ }\mu\text{F} = 10^{-6} \text{ F}$) range.

Recall that a current is a flow of charges. When current flows into one plate of a capacitor, the charges don't pass through (although to maintain local charge balance, an equal number of the same polarity charges leave the other plate of the device) but instead accumulate on that plate, increasing the voltage across the capacitor. The voltage across the capacitor is directly proportional to the charge Q stored on the plates:

$$Q = CV \quad (\text{Eq. 2})$$

Since Q is the integration of current over time, we can write:

$$V = \frac{Q}{C} = \frac{\int i(t)dt}{C} \quad (\text{Eq. 3})$$

Differentiating this equation, we obtain the I - V characteristic equation for a capacitor:

$$i = C \frac{dV}{dt} \quad (\text{Eq. 4})$$

B. RC Circuits

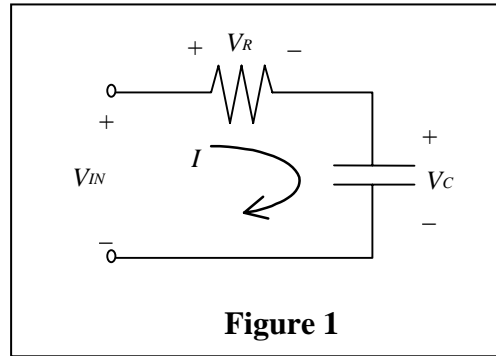
An RC (resistor + capacitor) circuit will have an exponential voltage response of the form $v(t) = A + B e^{-t/RC}$ where constant A is the final voltage and constant B is the difference between the initial and the final voltages. (e^x is e to the x power, where $e = 2.718$, the base of natural logarithms.) The product RC is called the **time constant** (whose units are seconds, if R is in ohms and C is in farads), and is usually represented by the Greek letter τ . The voltage can be written conveniently in terms of the initial and final voltages and the time constant as

$$v(t) = v(\text{final}) + [v(\text{initial}) - v(\text{final})]e^{-t/\tau}$$

When the time has reached a value equal to the time constant, τ , then the voltage is $B e^{-\tau/RC} = B e^{-1} = 0.37 * B$ volts away from the final value A , or about 63% of the way from the initial value ($A + B$) to the final value (A).

The characteristic “exponential decay” associated with an RC circuit is important to understand, because complicated circuits can oftentimes be modeled simply as a resistor and a capacitor. This is especially true in integrated circuits (ICs).

A simple RC circuit is drawn in Figure 1 with currents and voltages defined as shown. Equation 5 is obtained from Kirchoff's Voltage Law, which states that the algebraic sum of voltage drops around a closed loop is zero. Equation 6 is the defining I - V characteristic equation for a capacitor (as derived above), and Equation 7 is the defining I - V characteristic equation for a resistor (Ohm's Law).



$$V_{IN} = V_C + V_R \quad (\text{Eq. 5})$$

$$I = C \frac{dV_C}{dt} \quad (\text{Eq. 6})$$

$$V_R = IR \quad (\text{Eq. 7})$$

By substituting Equations 6 and 7 into Equation 5, the following first-order linear differential equation is obtained:

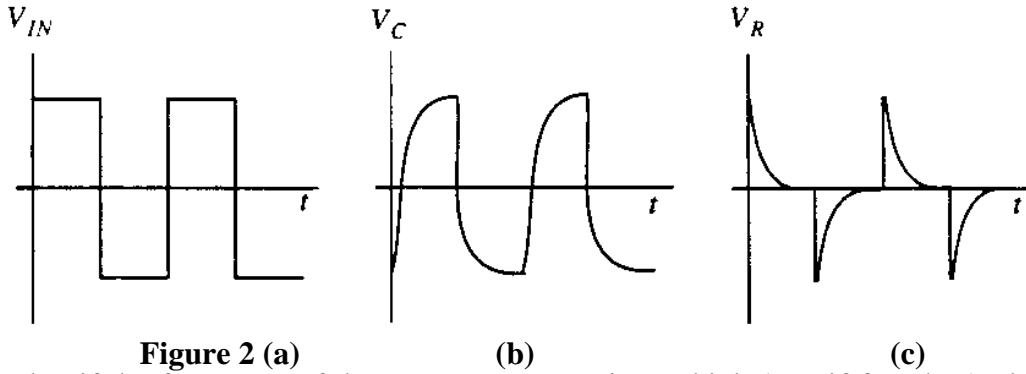
$$V_{IN} = V_C + RC \frac{dV_C}{dt} \quad (\text{Eq. 8})$$

If V_{IN} is a step function at time $t = 0$, then V_C and V_R are of the forms:

$$V_C = A + Be^{-t/RC} \quad (\text{Eq. 9})$$

$$V_R = A' + B'e^{-t/RC} \quad (\text{Eq. 10})$$

If a voltage difference exists across the resistor (*i.e.*, $V_R \neq 0$), then current will flow (Eq. 7). This current flows through the capacitor and causes V_C to change (Eq. 6). V_C will increase (if $I > 0$) or decrease (if $I < 0$) exponentially with time, until it reaches the value of V_{IN} , at which time the current goes to zero (since $V_R = 0$). For the square-wave function V_{IN} shown in Figure 2a, the responses V_C and V_R are shown in Figure 2b and Figure 2c, respectively.

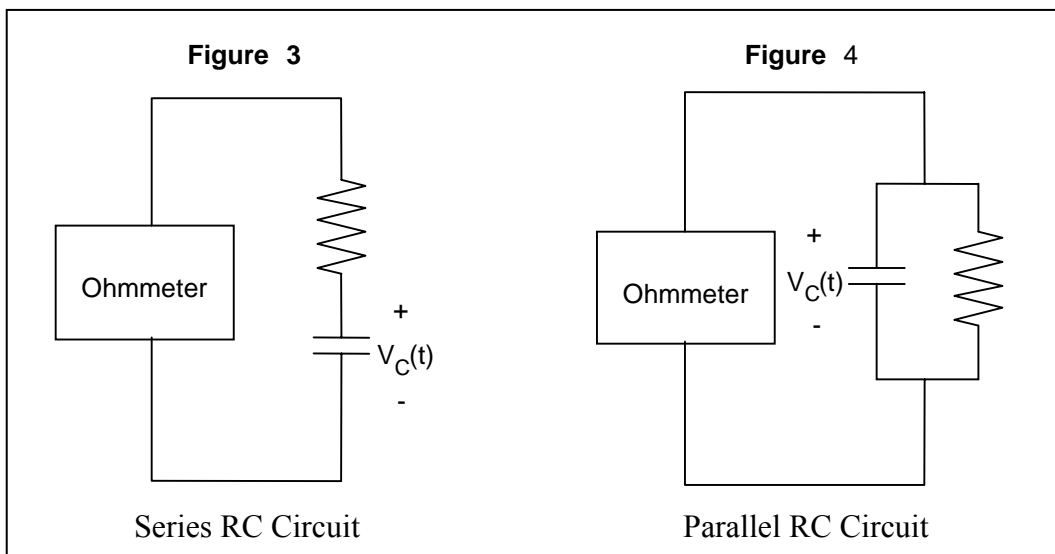


Note that if the frequency of the square wave V_{IN} is too high (*i.e.*, if $f \gg 1/RC$), then V_C and V_R will not have enough time to reach their asymptotic values. If the frequency is too low (*i.e.*, if $f \ll 1/RC$), the decay time will be very short relative to the period of the waveform and thus the exponential decay will be difficult to observe. As a rough guideline, the period of the square wave should be chosen such that it is approximately equal to $10RC$, in order for the responses shown in Figure 2b-c to be readily observed on an oscilloscope.

II. Hands On

A. Determining the RC Circuit Configuration

In this part of the experiment, you will make ohmmeter measurements to see if you can discover a method to determine if a resistor and capacitor are connected in series or in parallel.



(a) Get a resistor and capacitor from your TA.

Recall that an ohmmeter has a built-in current source that sends a small current into the circuit under test. The ohmmeter reads the voltage across the circuit under test and determines the resistance of the circuit using Ohm's Law.

- (b) Build the circuit shown in Figure 3. Note that the ohmmeter's current source keeps on charging up the capacitor. (For small values of capacitance, the capacitor will be fully charged almost instantly.)

Question 1: Are you able to measure the value of the resistor? If not, explain the reason why you cannot make the measurement.

- (c) Build the circuit shown in Figure 4. Note that the capacitor stops charging when the current through the resistor is equal to the current from the ohmmeter.

Question 2: Explain how you got your ohmmeter reading for the circuit in Figure 4. Why does it take some time before the ohmmeter's reading stabilizes?

Question 3: Given a black box with either a series or parallel RC circuit, can you determine the RC configuration using an ohmmeter? If so, how?

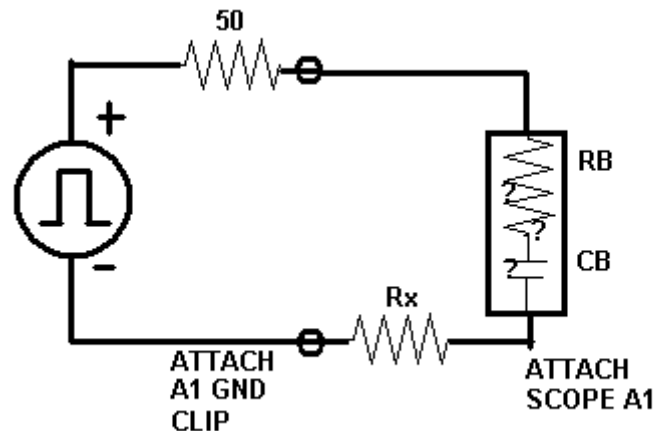
B. Identifying Physical Values in a Series RC Circuit Black Box and a Parallel RC Circuit Black Box

The TA will give you two "black boxes" (if available). One contains a series RC circuit and the other contains a parallel RC circuit. Determine the basic resistor-capacitor configuration in each black box using an ohmmeter. If you are instructed to build the "black box" yourself, note that you are not allowed access to the node shared by R_B and C_B , so you can't measure R_B directly. **Please use the breadboard.**

Question 4: Determine whether each "black box" is a series or parallel RC circuit.

1) Series RC Circuit Black Box

- (a) Construct the circuit below for the black box that contains the unknown resistor R_B and capacitor C_B in series. There is an $R_S = 50$ ohms source resistor inside the function generator (might be negligible) and R_x is the external resistor that is suggested by the TA. Measure and record R_x .



- (b) Set the amplitude of the square wave to about $5 V_{PP}$ (not critical), with 0 VDC offset. Adjust the frequency of the square wave and the scope viewing scale until you see the exponential characteristic decay. (Make sure that you are using the waveform from the OUTPUT terminal of the function generator, not the SYNC terminal.)
- (c) Note that the voltage across R_X follows the shape of $V_{IN} - V_C$ (try the math and look at the nice pictures).

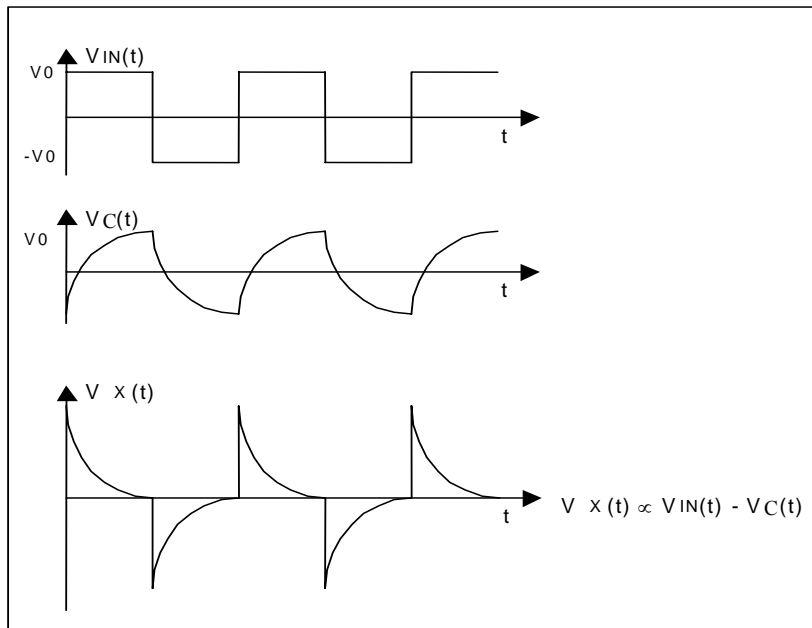


Figure 6: Voltage waveforms in a series RC circuit

- (d) From voltage V_X across R_X , you could use Ohm's Law to obtain the current I_X , but both I_X and V_X will have the same time constant. You should trigger on A1 edge and set Main Time Ref to Left, and always use the knobs to zoom in upon your cursor measurements. Your TA should review use of the CURSOR function: Set cursor V1 to ground, set cursor V2 to the peak and record $\Delta V(A1)$. Next, move V2 to 0.368 of that value. Move t1 to the start, move t2 to intersect V2. Δt is the time constant.

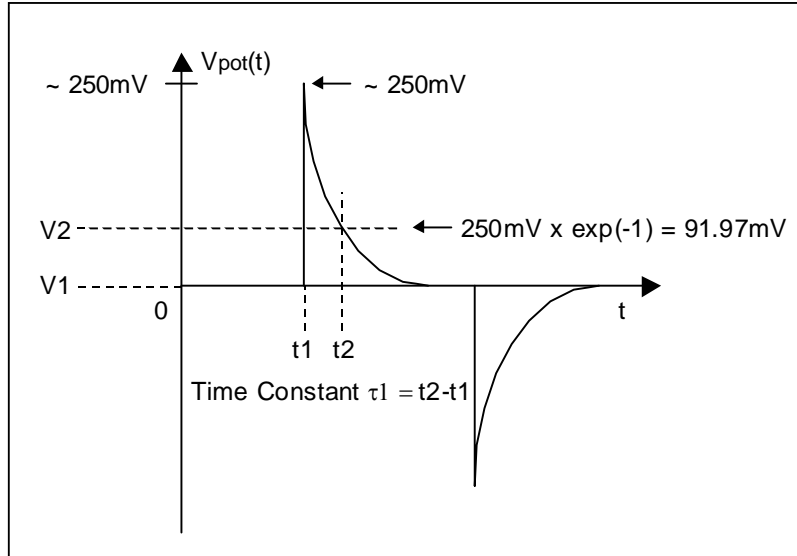


Figure 7: How to measure the time constant τ_1 on the oscilloscope

Question 5: What is the time constant τ_1 ? What is the value of R_X ?

(d) Now increase the value of R_X by about a factor of ten. Measure the new R_{X2} .

Question 6: What is the time constant τ_2 ? What is the value of R_{X2} ?

Question 7: Solve for the resistance R_B and capacitance C_B using the formula for the time constant in both trials. $\tau = C_B (R_S + R_B + R_X)$. Ask your TA for the resistance and capacitance values. Are they in good agreement with the values you have obtained experimentally? Explain if there are any significant differences.

2) Parallel RC Circuit Black Box

(a) Build the Parallel “Black Box” using unknown R_B and C_B from your TA. Measure the resistance of the circuit inside the black box using the ohmmeter. The rest of the measurements go toward finding the capacitance C_B .

Question 8: What is the measured value of the resistor inside the black box?

(b) Select a resistor R_X of a value comparable to the resistor R_B and construct the circuit below. Measure the time constant of the circuit with R_X .

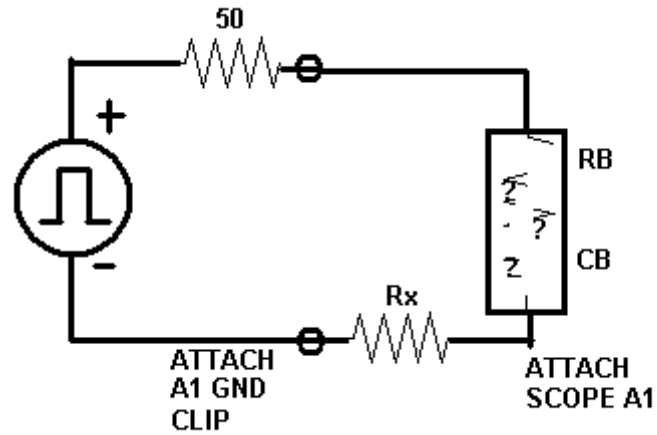


Figure 9: Setup for finding R and C of an unknown parallel RC circuit

Question 9: Measure the time constant of the circuit with R_x , then solve for the value of the capacitor C_B . Ask your TA for the values of the resistor and the capacitor inside the black box. Are they in good agreement with the values you have obtained experimentally? Explain if there are any significant differences.