

CS 152 Computer Architecture and Engineering

CS252 Graduate Computer Architecture

Lecture 12 – Branch Prediction and Advanced Out-of-Order Superscalars

Krste Asanovic

Electrical Engineering and Computer Sciences
University of California at Berkeley

`http://www.eecs.berkeley.edu/~krste`

`http://inst.eecs.berkeley.edu/~cs152`

Last Time in Lecture 11

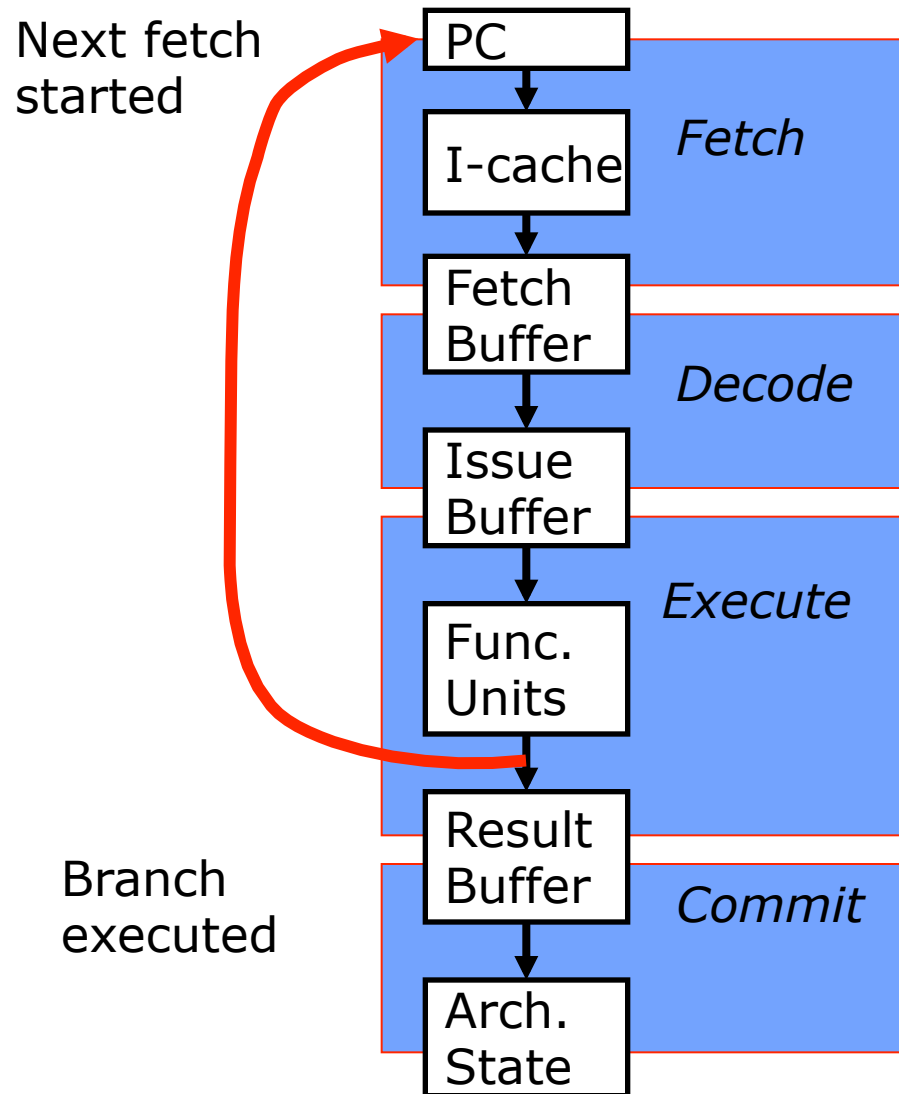
- Phases of instruction execution:
 - Fetch/decode/rename/dispatch/issue/execute/complete/commit
- Data-in-ROB design versus unified physical register design
- Superscalar register renaming

Control Flow Penalty

Modern processors may have > 10 pipeline stages between next PC calculation and branch resolution !

How much work is lost if pipeline doesn't follow correct instruction flow?

~ Loop length x pipeline width + buffers



Reducing Control Flow Penalty

■ Software solutions

- Eliminate branches - loop unrolling
 - Increases the run length
- Reduce resolution time - instruction scheduling
 - Compute the branch condition as early as possible (of limited value because branches often in critical path through code)

■ Hardware solutions

- Find something else to do (delay slots)
 - Replaces pipeline bubbles with useful work (requires software cooperation) – quickly see diminishing returns
- Speculate - branch prediction
 - Speculative execution of instructions beyond the branch
 - Many advances in accuracy, widely used

Branch Prediction

Motivation:

Branch penalties limit performance of deeply pipelined processors

Modern branch predictors have high accuracy (>95%) and can reduce branch penalties significantly

Required hardware support:

Prediction structures:

- Branch history tables, branch target buffers, etc.

Mispredict recovery mechanisms:

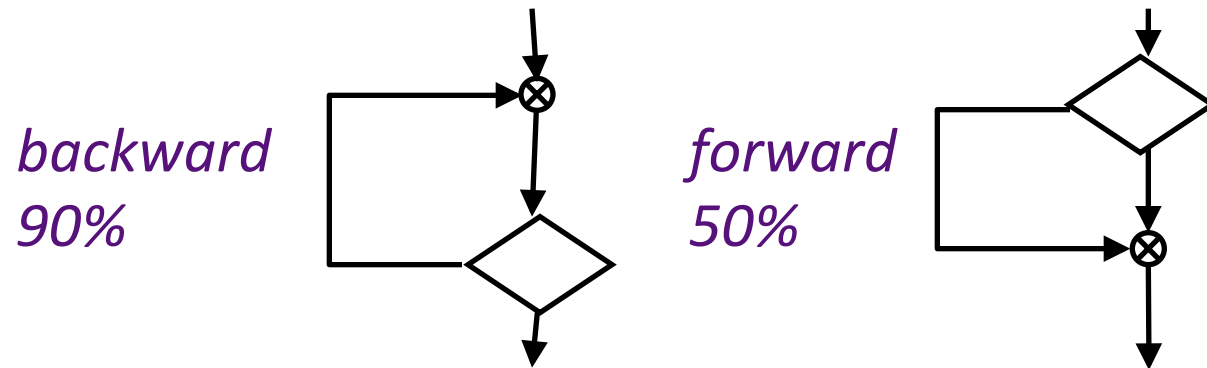
- *Keep result computation separate from commit*
- Kill instructions following branch in pipeline
- Restore state to that following branch

Importance of Branch Prediction

- Consider 4-way superscalar with 8 pipeline stages from fetch to dispatch, and 80-entry ROB, and 3 cycles from issue to branch resolution
- On a mispredict, could throw away $8*4+(80-1)=111$ instructions
- Improving from 90% to 95% prediction accuracy, removes 50% of branch mispredicts
 - If 1/6 instructions are branches, then move from 60 instructions between mispredicts, to 120 instructions between mispredicts

Static Branch Prediction

Overall probability a branch is taken is ~60-70% but:



ISA can attach preferred direction semantics to branches, e.g.,
Motorola MC88110

bne0 (preferred taken) *beq0 (not taken)*

ISA can allow arbitrary choice of statically predicted direction,
e.g., HP PA-RISC, Intel IA-64

typically reported as ~80% accurate

Dynamic Branch Prediction

learning based on past behavior

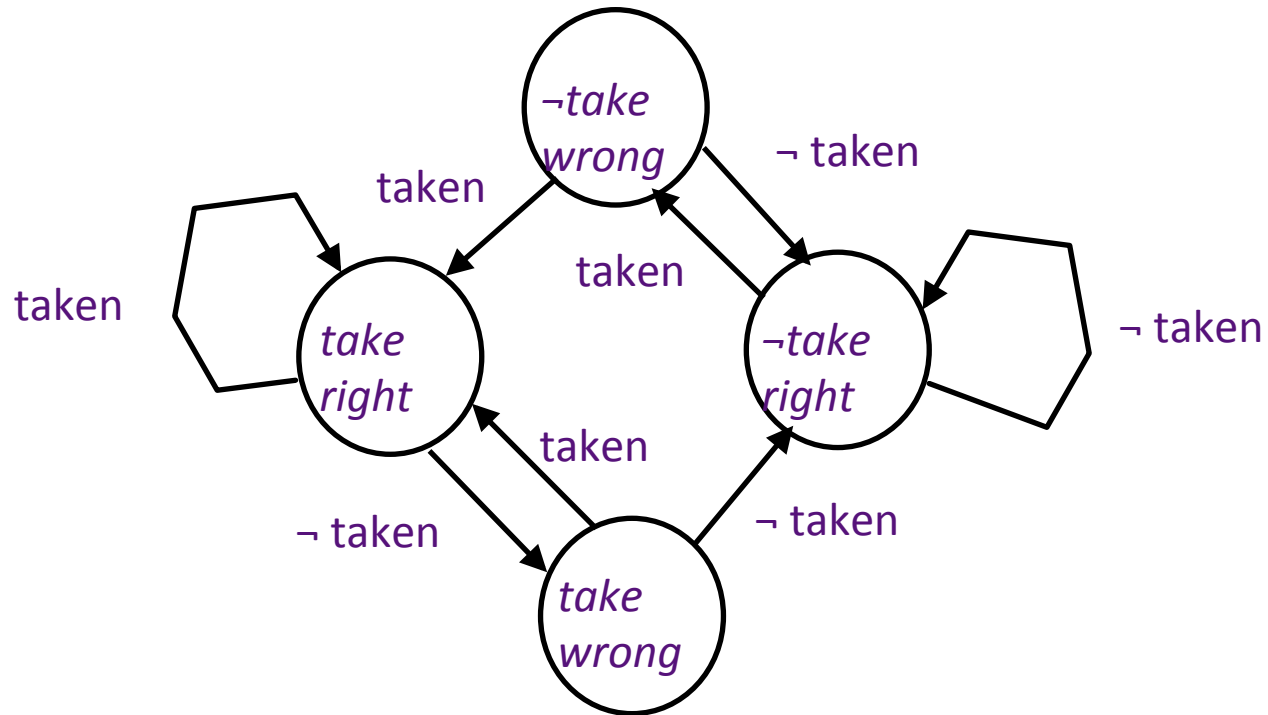
- Temporal correlation
 - The way a branch resolves may be a good predictor of the way it will resolve at the next execution
- Spatial correlation
 - Several branches may resolve in a highly correlated manner (a preferred path of execution)

One-Bit Branch History Predictor

- For each branch, remember last way branch went
- Has problem with loop-closing backward branches, as two mispredicts occur on every loop execution
 1. first iteration predicts loop backwards branch not-taken (loop was exited last time)
 2. last iteration predicts loop backwards branch taken (loop continued last time)

Branch Prediction Bits

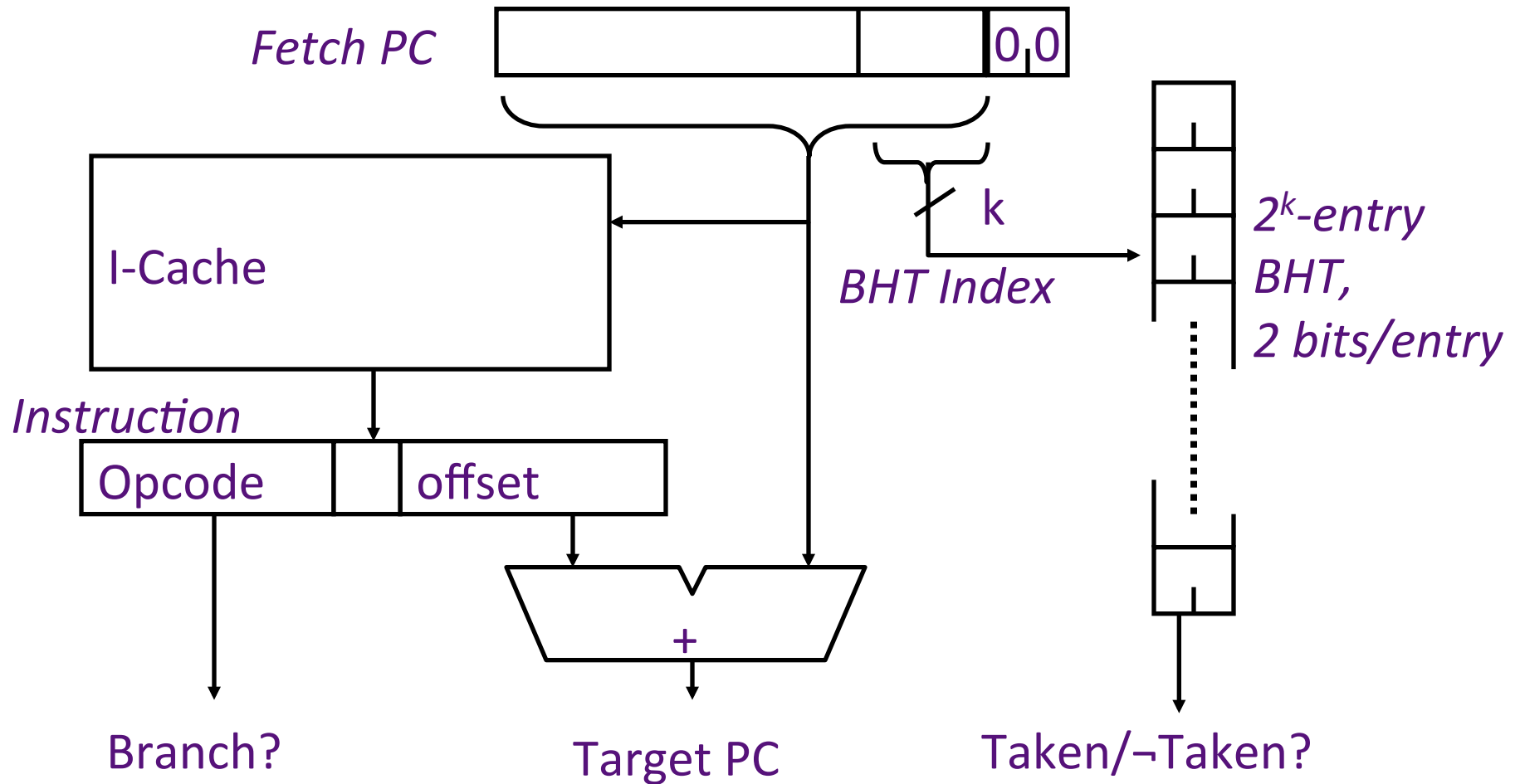
- Assume 2 BP bits per instruction
- Change the prediction after two consecutive mistakes!



BP state:

(predict take/¬take) x (last prediction right/wrong)

Branch History Table (BHT)



4K-entry BHT, 2 bits/entry, ~80-90% correct predictions

Exploiting Spatial Correlation

Yeh and Patt, 1992

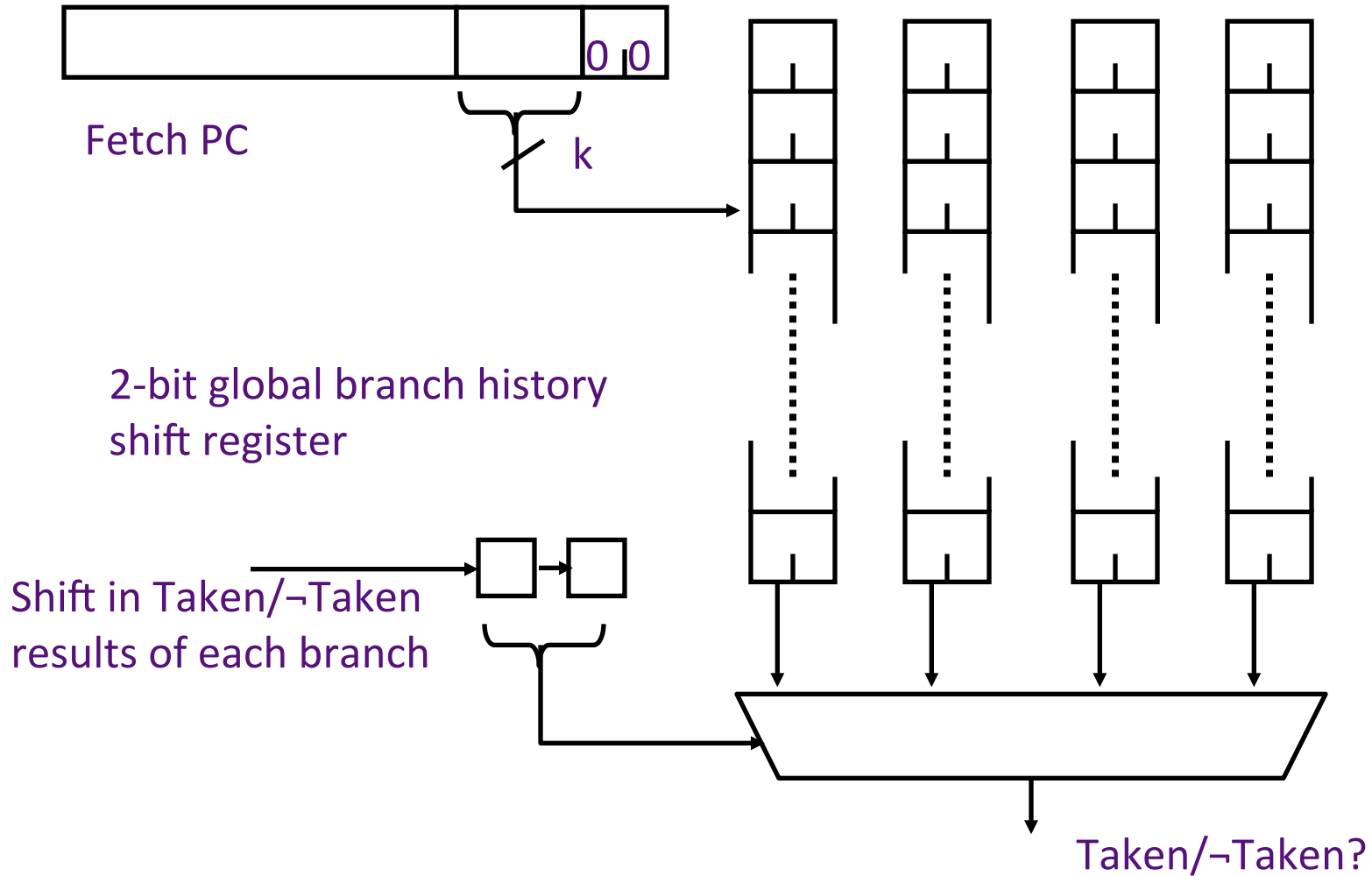
```
if (x[i] < 7) then
    y += 1;
if (x[i] < 5) then
    c -= 4;
```

If first condition false, second condition also false

History register, H, records the direction of the last N branches executed by the processor

Two-Level Branch Predictor

Pentium Pro uses the result from the last two branches to select one of the four sets of BHT bits (~95% correct)

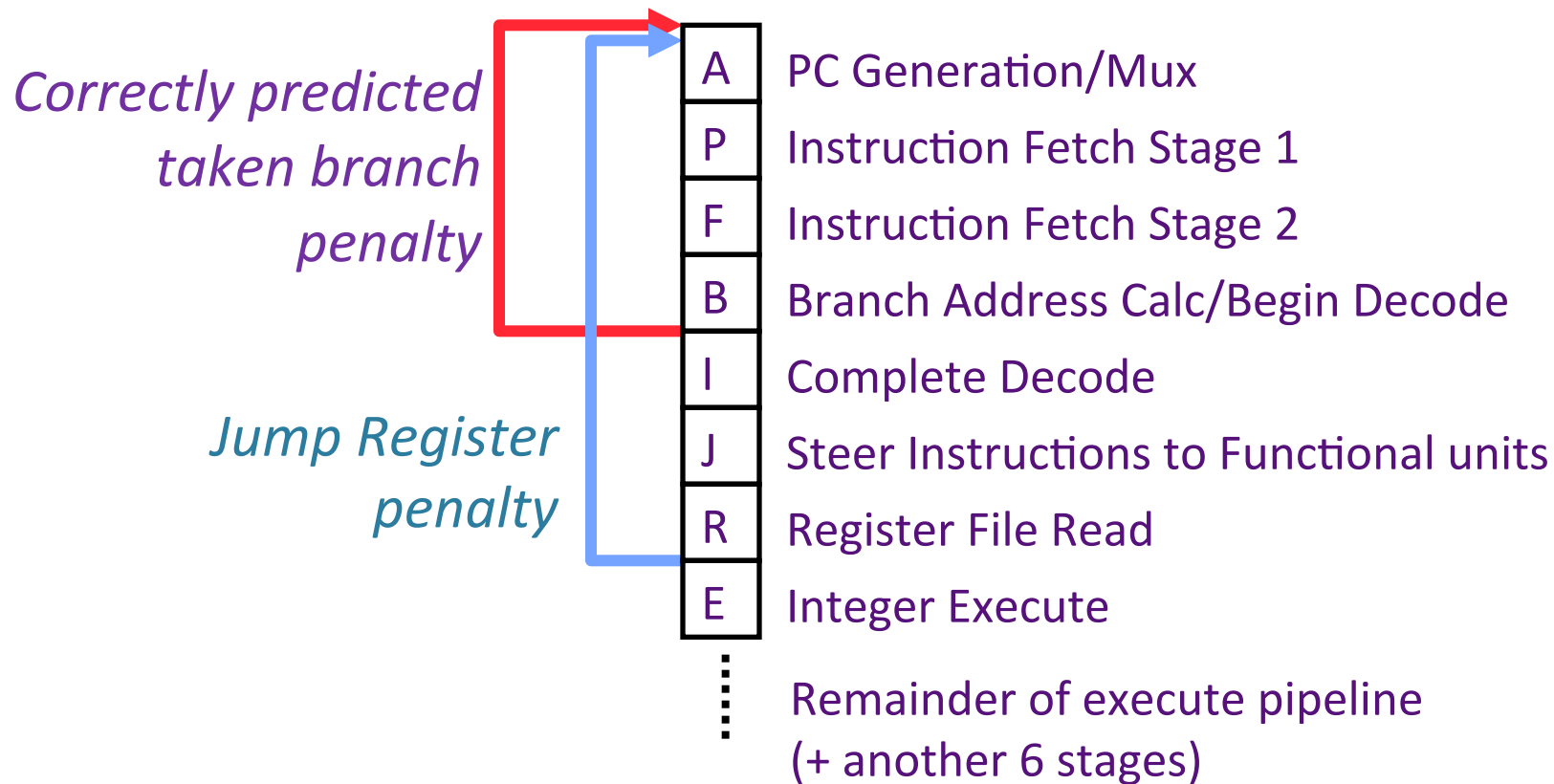


Speculating Both Directions?

- An alternative to branch prediction is to execute both directions of a branch speculatively
 - resource requirement is proportional to the number of concurrent speculative executions
 - only half the resources engage in useful work when both directions of a branch are executed speculatively
 - branch prediction takes less resources than speculative execution of both paths
- With accurate branch prediction, it is more cost effective to dedicate all resources to the predicted direction!

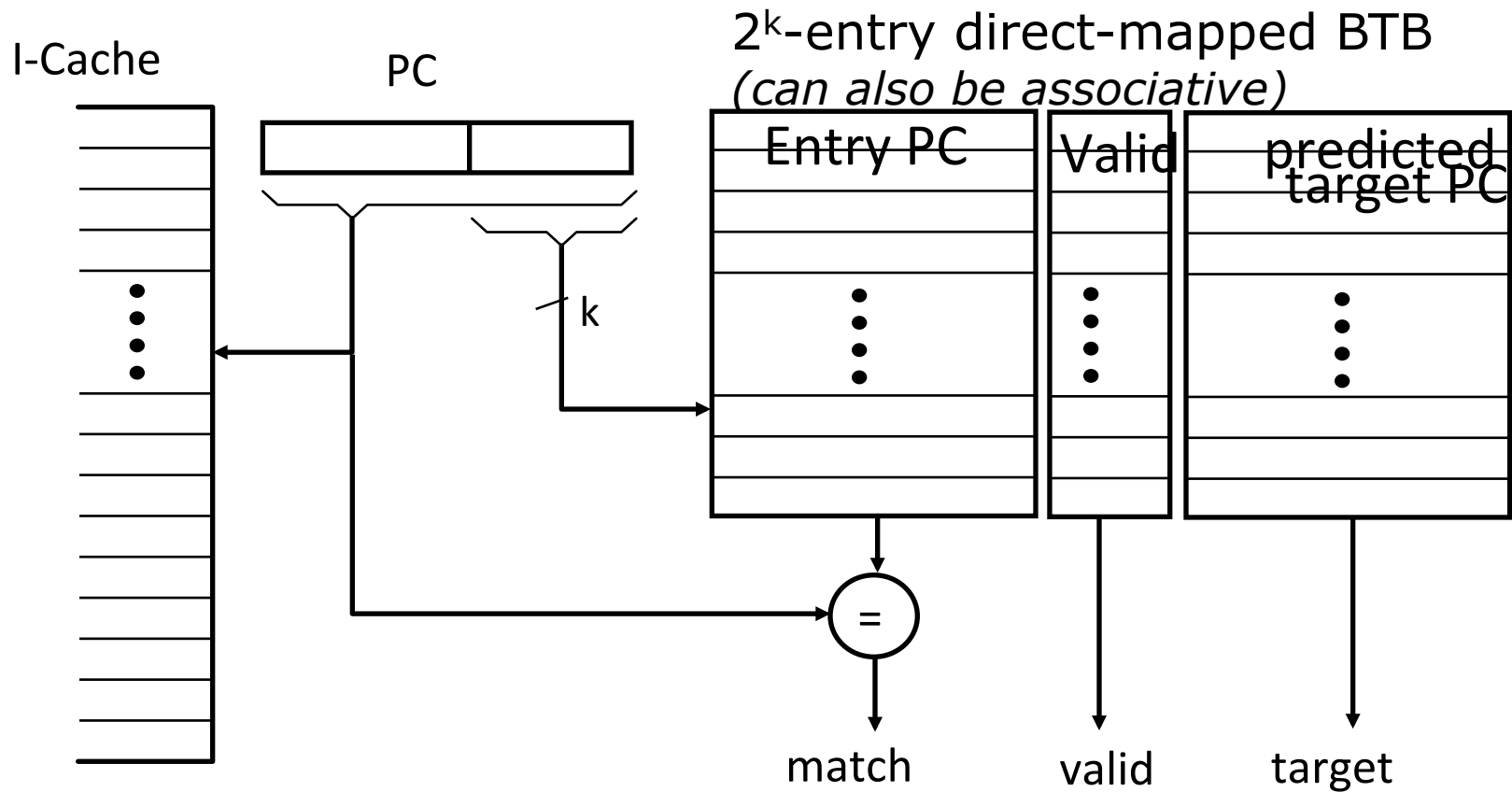
Limitations of BHTs

Only predicts branch direction. Therefore, cannot redirect fetch stream until after branch target is determined.



UltraSPARC-III fetch pipeline

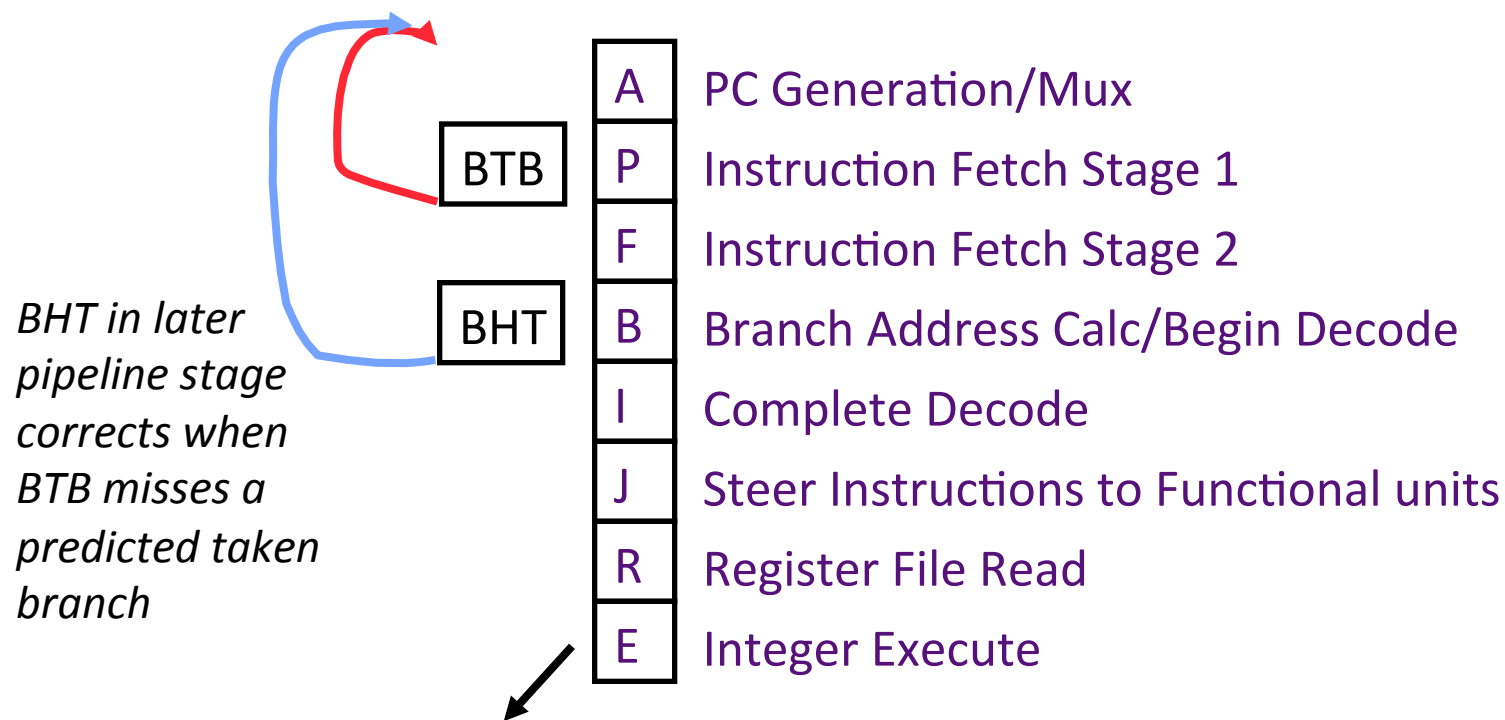
Branch Target Buffer (BTB)



- Keep both the branch PC and target PC in the BTB
- PC+4 is fetched if match fails
- Only *taken* branches and jumps held in BTB
- Next PC determined *before* branch fetched and decoded

Combining BTB and BHT

- BTB entries are considerably more expensive than BHT, but can redirect fetches at earlier stage in pipeline and can accelerate indirect branches (JR)
- BHT can hold many more entries and is more accurate



BTB/BHT only updated after branch resolves in E stage

Uses of Jump Register (JR)

- Switch statements (jump to address of matching case)

BTB works well if same case used repeatedly

- Dynamic function call (jump to run-time function address)

BTB works well if same function usually called, (e.g., in C++ programming, when objects have same type in virtual function call)

- Subroutine returns (jump to return address)

BTB works well if usually return to the same place
⇒ *Often one function called from many distinct call sites!*

How well does BTB work for each of these cases?

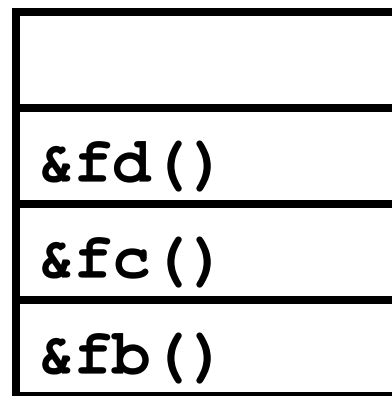
Subroutine Return Stack

Small structure to accelerate JR for subroutine returns, typically much more accurate than BTBs.

```
fa () { fb () ; }  
fb () { fc () ; }  
fc () { fd () ; }
```

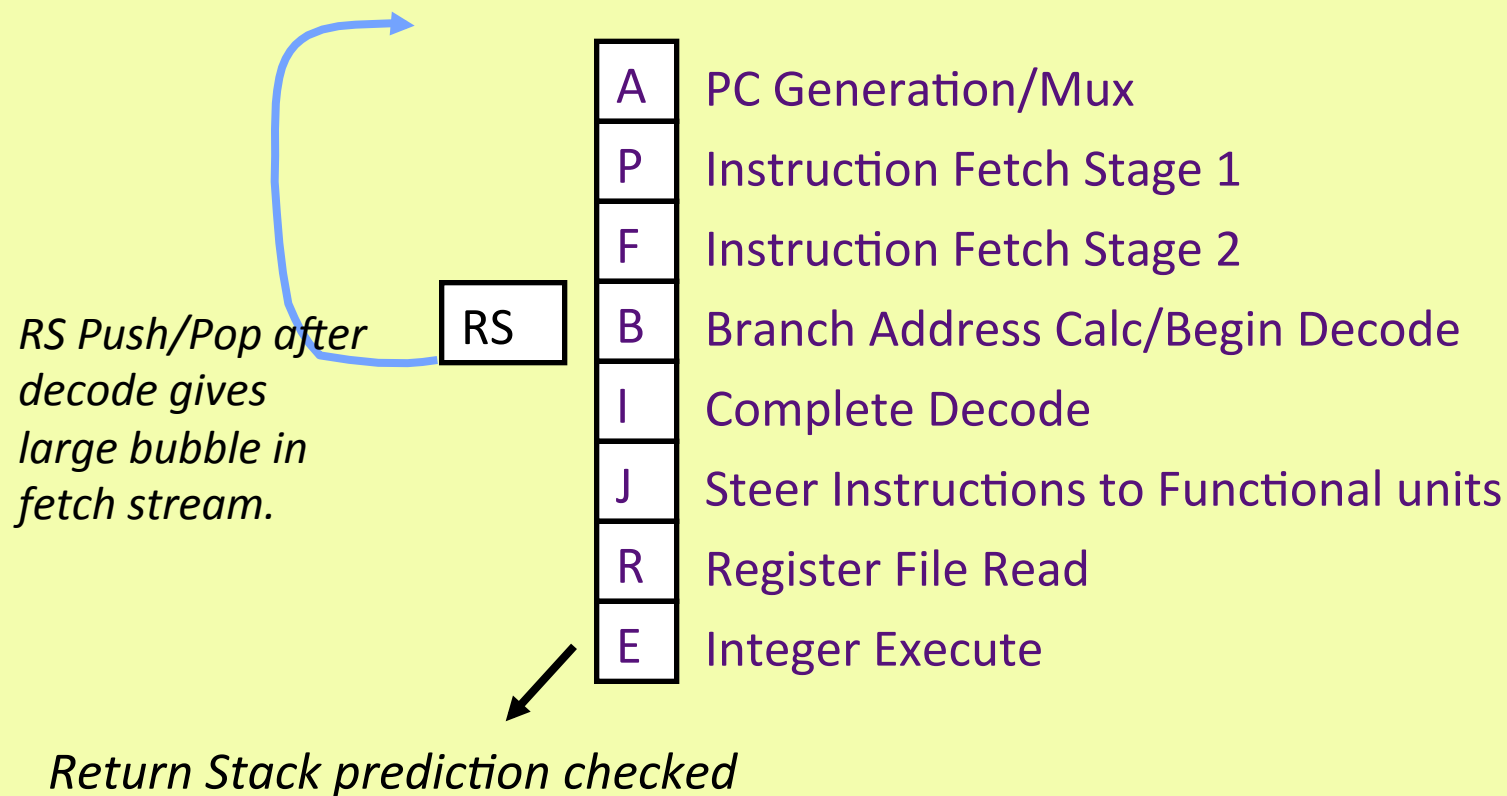
*Push call address when
function call executed*

*Pop return address when
subroutine return decoded*



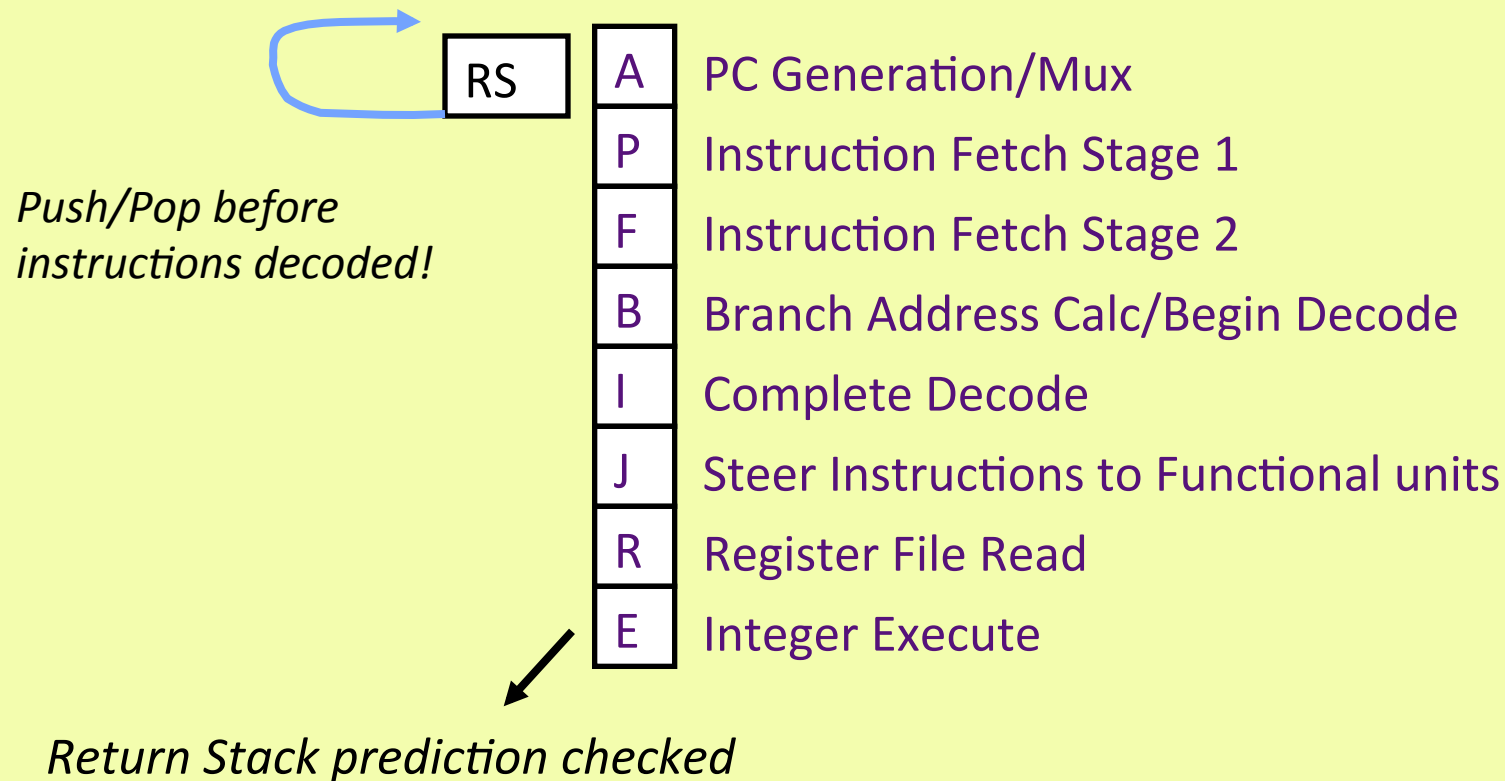
Return Stack in Pipeline

- How to use return stack (RS) in deep fetch pipeline?
- Only know if subroutine call/return at decode

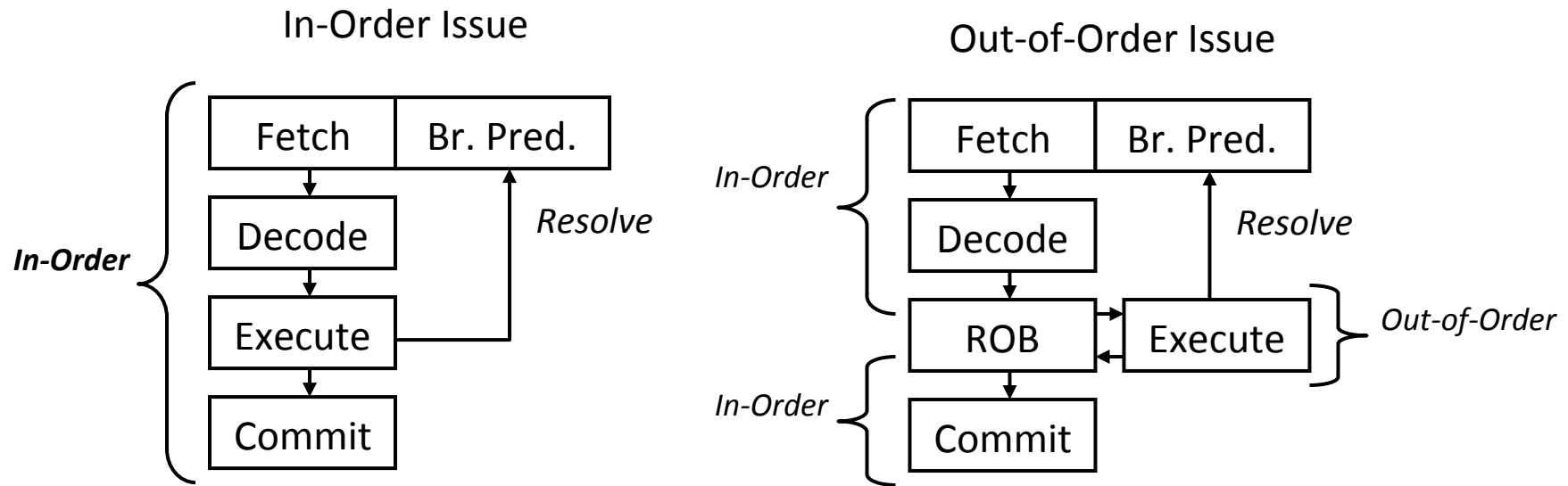


Return Stack in Pipeline

- Can remember whether PC is subroutine call/return using BTB-like structure
- Instead of target-PC, just store push/pop bit



In-Order vs. Out-of-Order Branch Prediction

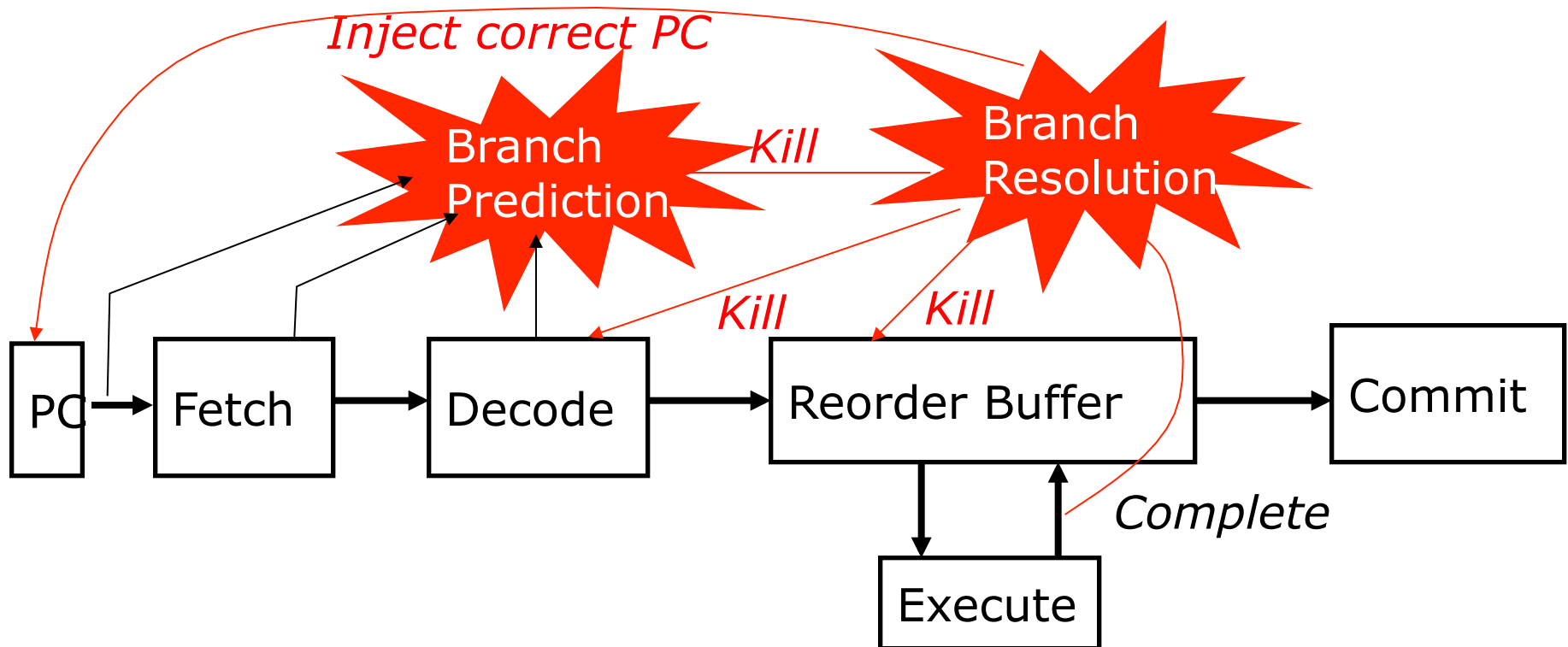


- Speculative fetch but not speculative execution - branch resolves before later instructions complete
 - Completed values held in bypass network until commit
 - Speculative execution, with branches resolved after later instructions complete
 - Completed values held in rename registers in ROB or unified physical register file until commit
- Both styles of machine can use same branch predictors in front-end fetch pipeline, and both can execute multiple instructions per cycle
 - Common to have 10-30 pipeline stages in either style of design

InO vs. OoO Mispredict Recovery

- In-order execution?
 - Design so no instruction issued after branch can write-back before branch resolves
 - Kill all instructions in pipeline behind mispredicted branch
- Out-of-order execution?
 - Multiple instructions following branch in program order can complete before branch resolves
 - A simple solution would be to handle like precise traps
 - Problem?

Branch Misprediction in Pipeline



- Can have multiple unresolved branches in ROB
- Can resolve branches out-of-order by killing all the instructions in ROB that follow a mispredicted branch
- MIPS R10K uses four mask bits to tag instructions that are dependent on up to four speculative branches
- Mask bits cleared as branch resolves, and reused for next branch

Rename Table Recovery

- Have to quickly recover rename table on branch mispredicts
- MIPS R10K only has four snapshots for each of four outstanding speculative branches
- Alpha 21264 has 80 snapshots, one per ROB instruction

CS152 Administrivia

- PS 3 due Monday March 12
- Lab 3 due Monday March 19
- Submit Midterm-1 regrade requests by Friday
 - score might go up or down with regrade requests

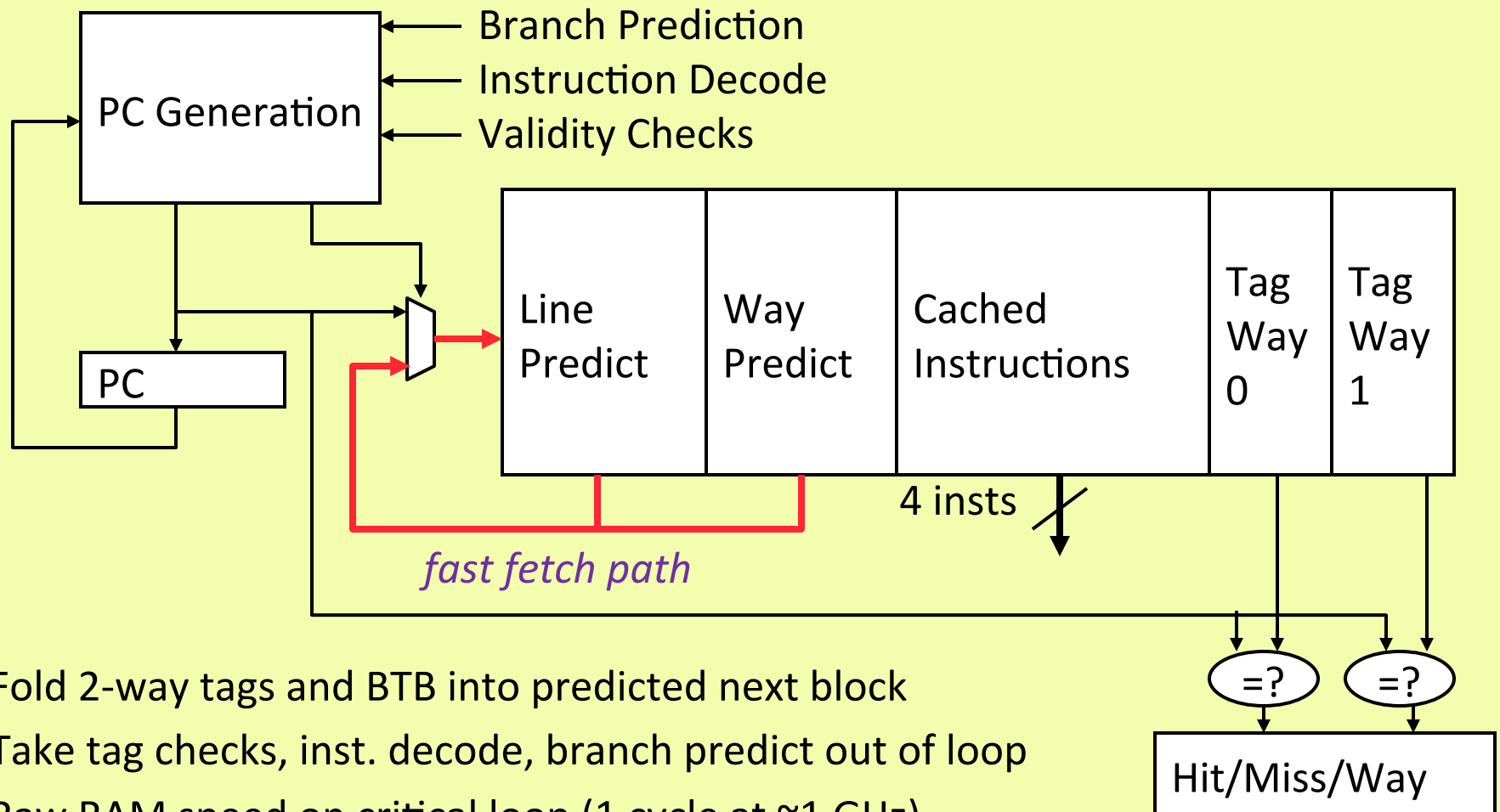
CS252 Administrivia

- Project proposal presentations in discussion section today

Improving Instruction Fetch

- Performance of speculative out-of-order machines often limited by instruction fetch bandwidth
 - speculative execution can fetch 2-3x more instructions than are committed
 - mispredict penalties dominated by time to refill instruction window
 - taken branches are particularly troublesome

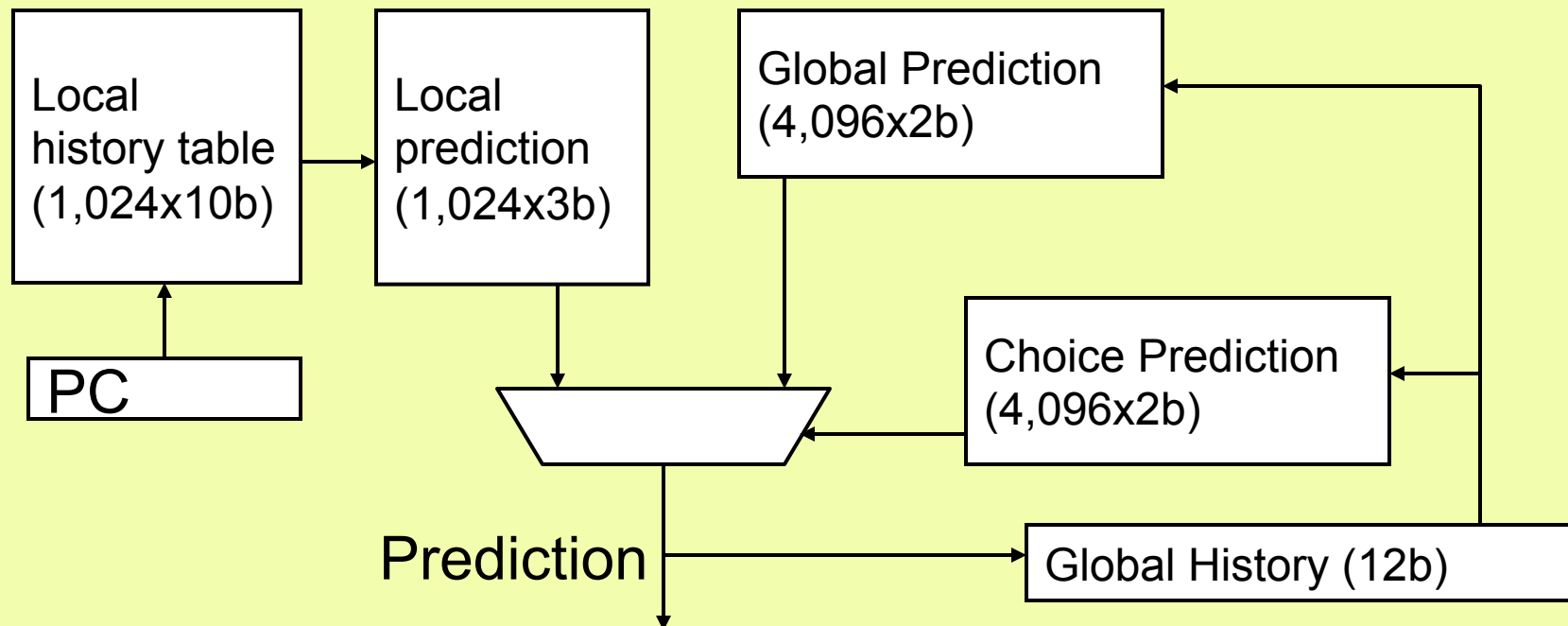
Increasing Taken Branch Bandwidth (Alpha 21264 I-Cache)



- Fold 2-way tags and BTB into predicted next block
- Take tag checks, inst. decode, branch predict out of loop
- Raw RAM speed on critical loop (1 cycle at ~1 GHz)
- 2-bit hysteresis counter per block prevents overtraining

Tournament Branch Predictor (Alpha 21264)

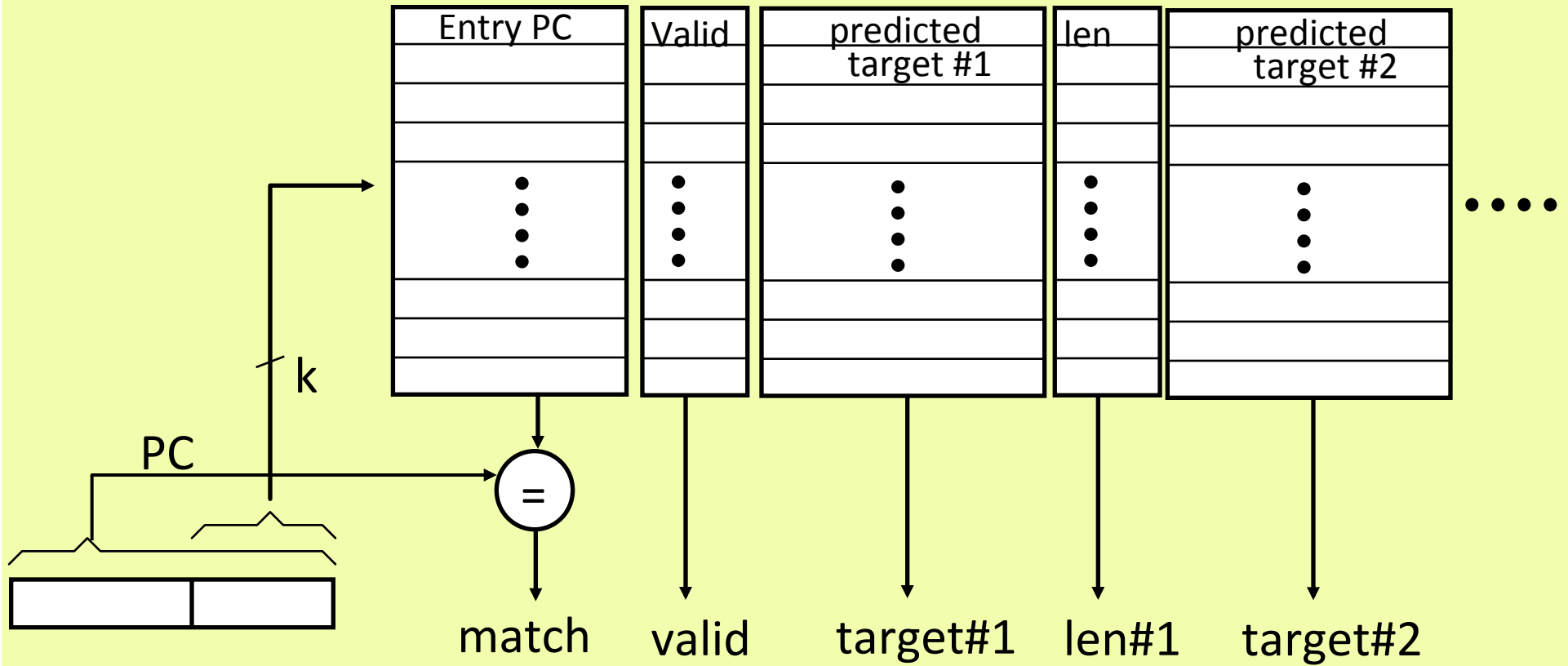
- Choice predictor learns whether best to use local or global branch history in predicting next branch
- Global history is speculatively updated but restored on mispredict
- Claim 90-100% success on range of applications



Taken Branch Limit

- Integer codes have a taken branch every 6-9 instructions
- To avoid fetch bottleneck, must execute multiple taken branches per cycle when increasing performance
- This implies:
 - predicting multiple branches per cycle
 - fetching multiple non-contiguous blocks per cycle

Branch Address Cache (Yeh, Marr, Patt)



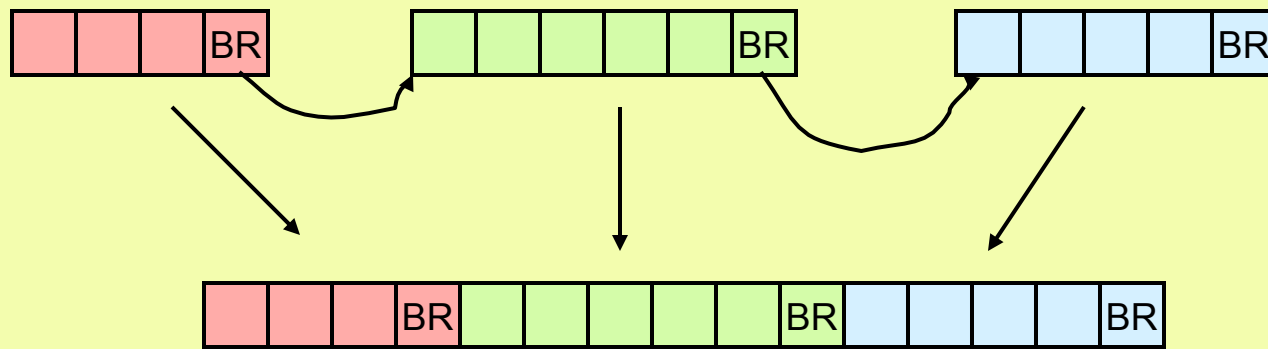
Extend BTB to return multiple branch predictions per cycle

Fetching Multiple Basic Blocks

- Requires either
 - multiported cache: expensive
 - interleaving: bank conflicts will occur
- Merging multiple blocks to feed to decoders adds latency, increasing mispredict penalty and reducing branch throughput

Trace Cache

- Key Idea: Pack multiple non-contiguous basic blocks into one contiguous trace cache line

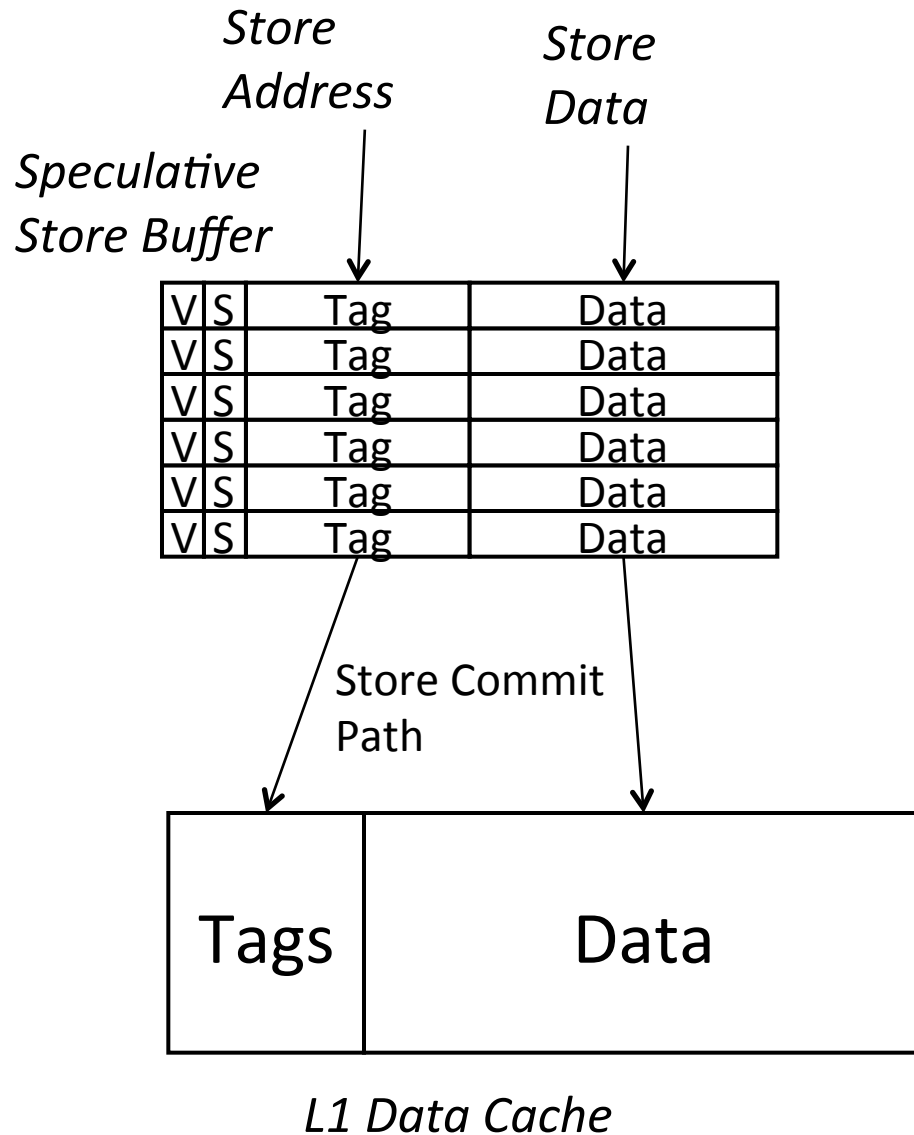


- Single fetch brings in multiple basic blocks
- Trace cache indexed by start address *and* next n branch predictions
- Used in Intel Pentium-4 processor to hold decoded uops

Load-Store Queue Design

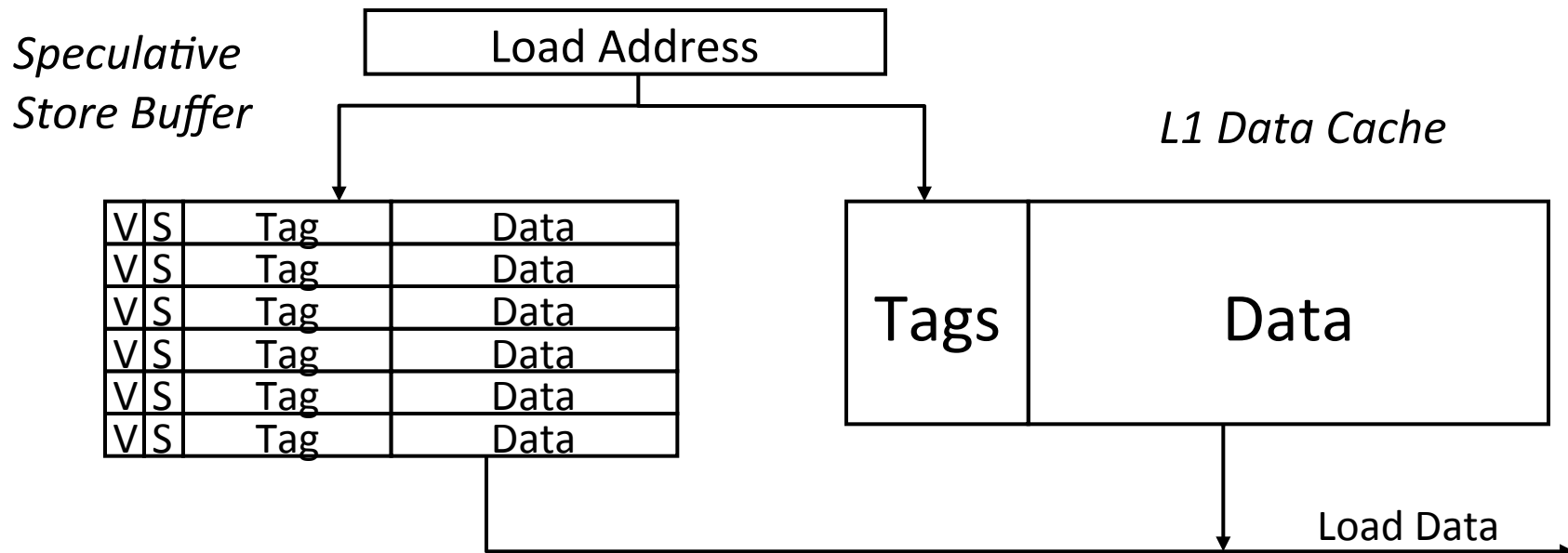
- After control hazards, data hazards through memory are probably next most important bottleneck to superscalar performance
- Modern superscalars use very sophisticated load-store reordering techniques to reduce effective memory latency by allowing loads to be speculatively issued

Speculative Store Buffer



- Just like register updates, stores should not modify the memory until after the instruction is committed. A speculative store buffer is a structure introduced to hold speculative store data.
- During decode, store buffer slot allocated in program order
- Stores split into “store address” and “store data” micro-operations
- “Store address” execution writes tag
- “Store data” execution writes data
- Store commits when oldest instruction and both address and data available:
 - clear speculative bit and eventually move data to cache
- On store abort:
 - clear valid bit

Load bypass from speculative store buffer



- If data in both store buffer and cache, which should we use?
Speculative store buffer
- If same address in store buffer twice, which should we use?
Youngest store older than load

Memory Dependencies

```
sd x1, (x2)
```

```
ld x3, (x4)
```

- When can we execute the load?

In-Order Memory Queue

- Execute all loads and stores in program order

=> Load and store cannot leave ROB for execution until all previous loads and stores have completed execution

- Can still execute loads and stores speculatively, and out-of-order with respect to other instructions
- Need a structure to handle memory ordering...

Conservative O-o-O Load Execution

```
sd x1, (x2)
```

```
ld x3, (x4)
```

- Can execute load before store, if addresses known and **x4 != x2**
- Each load address compared with addresses of all previous uncommitted stores
 - can use partial conservative check i.e., bottom 12 bits of address, to save hardware
- Don't execute load if any previous store address not known
- (MIPS R10K, 16-entry address queue)

Address Speculation

```
sd x1, (x2)
```

```
ld x3, (x4)
```

- Guess that $x4 \neq x2$
- Execute load before store address known
- Need to hold all completed but uncommitted load/store addresses in program order
- If subsequently find $x4 == x2$, squash load and all following instructions
- => Large penalty for inaccurate address speculation

Memory Dependence Prediction (Alpha 21264)

```
sd x1, (x2)  
ld x3, (x4)
```

- Guess that $x4 \neq x2$ and execute load before store
- If later find $x4 == x2$, squash load and all following instructions, but mark load instruction as store-wait
- Subsequent executions of the same load instruction will wait for all previous stores to complete
- Periodically clear store-wait bits

Acknowledgements

- This course is partly inspired by previous MIT 6.823 and Berkeley CS252 computer architecture courses created by my collaborators and colleagues:
 - Arvind (MIT)
 - Joel Emer (Intel/MIT)
 - James Hoe (CMU)
 - John Kubiatowicz (UCB)
 - David Patterson (UCB)