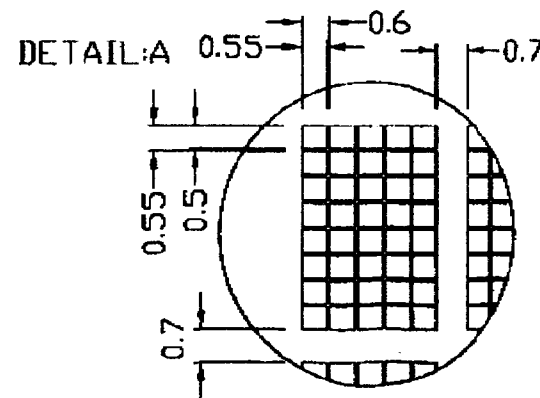


1	2	3	4	5	6	7	8	9	10	11	12	13	14
DB7	DB6	DB5	DB4	DB3	DB2	DB1	DB0	E	R/WRS	V0	VSS	VDD	



- NOTES:
- 1.DISPLAY TYPE: STN/YELLOW GREEN
 - 2.VIEWING DIRECTION: 6:00
 - 3.POLARIZER MODE: REFLECTIVE/POSITIVE
 - 4.OPERATING TEMP: 0°C-+50°C
 - 5.STORAGE TEMP: -20°C-+60°C
 - 6.LCD OPERATING VOLTAGE: 4.7V
 - 7.DRIVE METHOD: 1/16 DUTY 1/5 BIAS
 - 8.WITHOUT BACKLIGHT
 - 9.UNMARKED TOLERANCE: ±0.3mm

TIAN-MA MICROELECTRONICS CO.
 6/F., EASTIC Building, Shennan Road, Central, Shenzhen, China

DRAWN BY: [Signature]	TITLE: TM162VBA6	SCALE: 1:1
CHECKED BY: [Signature]	DWG NO: G-2	UNIT: mm
APPROVED BY: [Signature]	DWG NAME: TM162VBA6-G	SHEET NO: 01
CONFIRMED BY:		