

Virtex-5 Libraries Guide for HDL Designs

ISE 10.1

Xilinx Trademarks and Copyright Information



Xilinx is disclosing this user guide, manual, release note, and/or specification (the “Documentation”) to you solely for use in the development of designs to operate with Xilinx hardware devices. You may not reproduce, distribute, republish, download, display, post, or transmit the Documentation in any form or by any means including, but not limited to, electronic, mechanical, photocopying, recording, or otherwise, without the prior written consent of Xilinx. Xilinx expressly disclaims any liability arising out of your use of the Documentation. Xilinx reserves the right, at its sole discretion, to change the Documentation without notice at any time. Xilinx assumes no obligation to correct any errors contained in the Documentation, or to advise you of any corrections or updates. Xilinx expressly disclaims any liability in connection with technical support or assistance that may be provided to you in connection with the Information.

THE DOCUMENTATION IS DISCLOSED TO YOU “AS-IS” WITH NO WARRANTY OF ANY KIND. XILINX MAKES NO OTHER WARRANTIES, WHETHER EXPRESS, IMPLIED, OR STATUTORY, REGARDING THE DOCUMENTATION, INCLUDING ANY WARRANTIES OF MERCHANTABILITY, FITNESS FOR A PARTICULAR PURPOSE, OR NONINFRINGEMENT OF THIRD-PARTY RIGHTS. IN NO EVENT WILL XILINX BE LIABLE FOR ANY CONSEQUENTIAL, INDIRECT, EXEMPLARY, SPECIAL, OR INCIDENTAL DAMAGES, INCLUDING ANY LOSS OF DATA OR LOST PROFITS, ARISING FROM YOUR USE OF THE DOCUMENTATION.

© Copyright 2002 – 2008 Xilinx, Inc. All Rights Reserved. XILINX, the Xilinx logo, the Brand Window and other designated brands included herein are trademarks of Xilinx, Inc. All other trademarks are the property of their respective owners.

Table of Contents

About this Guide.....	5
Design Element Retargeting.....	7
About Unimacros.....	11
BRAM_SDP_MACRO.....	12
BRAM_SINGLE_MACRO.....	21
BRAM_TDP_MACRO.....	31
FIFO_DUALCLOCK_MACRO.....	41
FIFO_SYNC_MACRO.....	45
Functional Categories.....	49
About Design Elements.....	53
BSCAN_VIRTEX5.....	54
BUFCF.....	56
BUFG.....	58
BUFGCE.....	60
BUFGCTRL.....	62
BUFGMUX_CTRL.....	64
BUFIO.....	66
BUFR.....	68
CAPTURE_VIRTEX5.....	70
CARRY4.....	72
CFGLUT5.....	74
CRC32.....	77
CRC64.....	79
DCIRESET.....	81
DCM_ADV.....	83
DSP48E.....	90
FDCPE.....	98
FDCPE_1.....	101
FDRSE.....	104
FDRSE_1.....	106
FIFO18.....	108
FIFO18_36.....	112
FIFO36.....	116
FIFO36_72.....	120
FRAME_ECC_VIRTEX5.....	125
GTP_DUAL.....	127
GTX_DUAL.....	128
IBUF.....	129
IBUFDS.....	132
IBUFG.....	134
IBUFGDS.....	136
ICAP_VIRTEX5.....	139
IDDR.....	141
IDDR_2CLK.....	144
IDELAY.....	147
IDELAYCTRL.....	151
IOBUF.....	153
IOBUFDS.....	156
IODELAY.....	158
ISERDES_NODELAY.....	163
KEEPER.....	167
KEY_CLEAR.....	169
LDCPE.....	171
LUT5.....	174
LUT5_D.....	177
LUT5_L.....	181

LUT6	184
LUT6_2	188
LUT6_D	192
LUT6_L	197
MUXF7	201
MUXF7_D	203
MUXF7_L	205
MUXF8	207
MUXF8_D	209
MUXF8_L	211
OBUF	213
OBUFDS	215
OBUFT	217
OBUFTDS	219
ODDR	221
OSERDES	224
PCIE_EP	229
PLL_ADV	230
PLL_BASE	236
PPC440	240
PULLDOWN	241
PULLUP	243
RAM128X1D	245
RAM16X1D_1	248
RAM16X1S_1	251
RAM16X2S	253
RAM16X4S	256
RAM16X8S	259
RAM256X1S	263
RAM32M	265
RAM32X1D	269
RAM32X1S_1	272
RAM32X2S	275
RAM32X4S	278
RAM32X8S	281
RAM64M	284
RAM64X1D	288
RAM64X1S	291
RAM64X1S_1	294
RAM64X2S	297
RAMB18	300
RAMB18SDP	307
RAMB36	313
RAMB36SDP	324
SRL16	332
SRL16_1	334
SRL16E	336
SRL16E_1	339
SRLC32E	342
STARTUP_VIRTEX5	345
SYSMON	348
TEMAC	351
USR_ACCESS_VIRTEX5	352

About this Guide

This HDL guide is part of the ISE documentation collection. A separate version of this guide is available if you prefer to work with schematics.

This guide contains the following:

- Introduction.
- A list of *retargeted elements*.
- A list of design elements supported in this architecture, organized by functional categories.
- Detailed descriptions of each available macro.
- Individual descriptions of each available primitive.

About Design Elements

This version of the Libraries Guide describes the categories of design elements that comprise the Xilinx Unified Libraries for this architecture, and includes examples of instantiation code for each element. Those categories are:

- **Retargeted Elements** - These elements are automatically changed by the ISE software tools when they are used in this architecture. Retargeting ensures that your design takes advantage of the latest circuit design advances.
- **Macros** - These elements are in the UniMacro library in the Xilinx tool, and are used to instantiate primitives that are complex to instantiate by just using the primitives. The synthesis tools will automatically expand the unimacros to their underlying primitives.
- **Primitives** - Xilinx components that are native to the FPGA you are targeting. If you instantiate a primitive in your design, after the translation process (ngdbuild) you will end up with the exact same component in the back end. For example, if you instantiate the Virtex-5 element known as `ISERDES_NODELAY` as a user primitive, after you run translate (ngdbuild) you will end up with an `ISERDES_NODELAY` in the back end as well. If you were using `ISERDES` in a Virtex-5 device, then this will automatically retarget to an `ISERDES_NODELAY` for Virtex-5 in the back end. Hence, this concept of a “primitive” differs from other uses of that term in this technology.

Xilinx maintains software libraries with hundreds of functional design elements (unimacros and primitives) for different device architectures. New functional elements are assembled with each release of development system software. In addition to a comprehensive Unified Library containing all design elements, this guide is one in a series of architecture-specific libraries.

Design Entry Methods

For each design element in this guide, Xilinx evaluates the four options and recommends what we believe is the best solution for you. The four options are:

- **Instantiation** - This component can be instantiated directly into the design. This method is useful if you want to control the exact placement of the individual blocks.
- **Inference** - This component can be inferred by most supported synthesis tools. You should use this method if you want to have complete flexibility and portability of the code to multiple architectures. Inference also gives the tools the ability to optimize for performance, area, or power, as specified by the user to the synthesis tool.
- **Coregen & Wizards** - This component can be used through Coregen or Wizards. You should use this method if you want to build large blocks of any FPGA primitive that cannot be inferred. When using this flow, you will have to re-generate your cores for each architecture that you are targeting.
- **Macro Support** - This component has a UniMacro that can be used. These components are in the UniMacro library in the Xilinx tool, and are used to instantiate primitives that are complex to instantiate by just using the primitives. The synthesis tools will automatically expand the unimacros to their underlying primitives.

Design Element Retargeting

To ensure that Xilinx customers are able to take full advantage of the latest circuit design advances, certain design elements are automatically changed by the ISE software tools when they are used in this architecture.

The following table lists these elements and the more advanced elements into which they are transformed.

Original Element	Modern Equivalent
BUFGCE_1	BUFGCE + INV
BUFGMUX	BUFGMUX_CTRL
BUFGMUX_1	BUFGMUX_CTRL + INV
BUFGMUX_VIRTEX4	BUFGMUX_CTRL
BUFGP	BUFG
DCM_BASE	DCM_ADV
DCM_PS	DCM_ADV
DSP48	DSP48E
FD	FDCPE
FD_1	FDCPE + INV
FDC	FDCPE
FDC_1	FDCPE + INV
FDCE	FDCPE
FDCE_1	FDCPE + INV
FDCP	FDCPE
FDCP_1	FDCPE + INV
FDE	FDCPE
FDE_1	FDCPE + INV
FDPE	FDCPE
FDPE_1	FDCPE + INV
FDR	FDRSE
FDR_1	FDRSE + INV
FDRE	FDRSE
FDRE_1	FDRSE + INV
FDRS	FDRSE
FDRS_1	FDRSE + INV
FDS	FDRSE
FDS_1	FDRSE + INV
FDSE	FDRSE
FDSE_1	FDRSE + INV
FIFO16	FIFO18
ISERDES	ISERDES_NODELAY
JTAGPPC	JTAG_PPC440

Original Element	Modern Equivalent
LD	LDCPE
LD_1	LDCPE + INV
LDC	LDCPE
LDC_1	LDCPE + INV
LDCE	LDCPE
LDCE_1	LDCPE + INV
LDCP	LDCPE
LDCP_1	LDCPE + INV
LDE	LDCPE
LDE_1	LDCPE + INV
LDP	LDCPE
LDP_1	LDCPE + INV
LDPE	LDCPE
LDPE_1	LDCPE + INV
LUT1	LUT5
LUT1_L	LUT5_L
LUT1_D	LUT5_D
LUT2	LUT5
LUT2_L	LUT5_L
LUT2_D	LUT5_D
LUT3	LUT5
LUT3_L	LUT5_L
LUT3_D	LUT5_D
LUT4	LUT5
LUT4_L	LUT5_L
LUT4_D	LUT5_D
MULT_AND	LUT6
MULT18X18	DSP48E
MULT18X18S	DSP48E
MUXCY	CARRY4
MUXCY_D	CARRY4
MUXCY_L	CARRY4
MUXF5	LUT5
MUXF5_D	LUT5_D
MUXF5_L	LUT5_L
MUXF6	LUT6
MUXF6_D	LUT6_D
MUXF6_L	LUT6_L

Original Element	Modern Equivalent
PMCD	PLL_ADV
RAM16X1D	RAM64X1D
RAM16X1S	RAM64X1S
RAM32X1S	RAM64X1S
RAMB16	RAMB18
RAMB16BWE	RAMB18
ROM128X1	2 LUT6'S + MUXF7
ROM16X1	LUT5
ROM256X1	4 LUT6'S + MUXF6/7
ROM32X1	LUT5
ROM64X1	LUT6
SRLC16	SRLC32E
SRLC16_1	SRLC32E + INV
SRLC16E	SRLC32E
SRLC16E_1	SRLC32E + INV
XORCY	CARRY4
XORCY_D	CARRY4
XORCY_L	CARRY4

About Unimacros

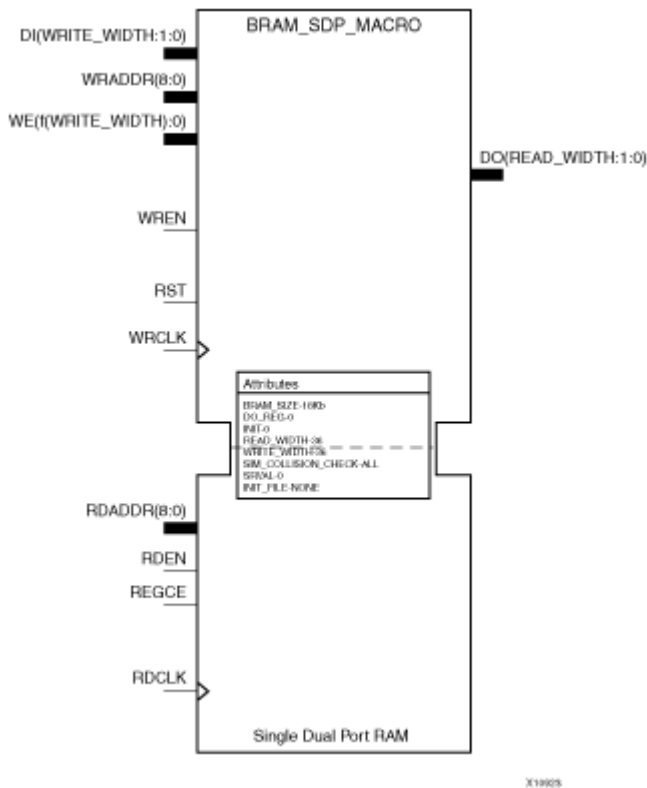
This section describes the unimacros that can be used with this architecture. The unimacros are organized alphabetically.

The following information is provided for each unimacro, where applicable:

- Name of element
- Brief description
- Schematic symbol
- Logic table (if any)
- Port descriptions
- Design Entry Method
- Available attributes
- Example instantiation code
- For more information

BRAM_SDP_MACRO

Simple Dual Port RAM



Introduction

Virtex-5 devices contain several Block RAM memories that can be configured as general-purpose 36KB or 18KB RAM/ROM memories. These Block RAM memories offer fast and flexible storage of large amounts of on-chip data. Both read and write operations are fully synchronous to the supplied clock(s) of the component. However, READ and WRITE ports can operate fully independently and asynchronous to each other, accessing the same memory array. Byte-enable write operations are possible, and an optional output register can be used to reduce the clock-to-out times of the RAM.

Port Description

Name	Direction	Width (Bits)	Function
Output Ports			
DO	Output	See Configuration Table below	Data output bus addressed by RDADDR.
Input Ports			
DI	Input	See Configuration Table below	Data input bus addressed by WRADDR.
WRADDR, RDADDR	Input	See Configuration Table below	Write/Read address input buses.
WE	Input	See Configuration Table below	Byte-Wide Write enable.
WREN, RDEN	Input	1	Write/Read enable

Name	Direction	Width (Bits)	Function
SSR	Input	1	Output registers synchronous reset.
REGCE	Input	1	Output register clock enable input (valid only when DO_REG=1)
WRCLK, RDCLK	Input	1	Write/Read clock input.

Configuration Table

DATA_WIDTH	BRAM_SIZE	ADDR	WE
72 - 37	36Kb	9	8
36 - 19	36Kb	10	4
	18Kb	9	
18 - 10	36Kb	11	2
	18Kb	10	
9 - 5	36Kb	12	1
	18Kb	11	
4 - 3	36Kb	13	1
	18Kb	12	
2	36Kb	14	1
	18Kb	13	
1	36Kb	15	1
	18Kb	14	

Design Entry Method

This unimacro can be instantiated only. It is a parameterizable version of the primitive. Consult the Configuration Table above to correctly configure it to meet your design needs.

Instantiation	Yes
Inference	No
Coregen and wizards	No
Macro support	Recommended

Available Attributes

Attribute	Type	Allowed Values	Default	Description
BRAM_SIZE	String	"18Kb", "36Kb"	"18Kb"	Configures RAM as 18Kb or 36Kb memory.

Attribute	Type	Allowed Values	Default	Description
DO_REG	Integer	0 or 1	0	A value of 1 enables to the output registers to the RAM enabling quicker clock-to-out from the RAM at the expense of an added clock cycle of read latency. A value of 0 allows a read in one clock cycle but will have slower clock to out timing.
INIT	Hexadecimal	Any 72-Bit Value	All zeros	Specifies the initial value on the output after configuration.
READ_WIDTH, WRITE_WIDTH	Integer	1-72	36	Specifies size of DI/DO bus. READ_WIDTH and WRITE_WIDTH must be equal.
SIM_COLLISION_CHECK	String	"ALL," "WARNING_ONLY", "GENERATE_X_ONLY" or "NONE"	"ALL"	<p>Allows modification of the simulation behavior so that if a memory collision occurs:</p> <p>"ALL" = warning produced and affected outputs/memory location go unknown (X).</p> <p>"WARNING_ONLY" = warning produced and affected outputs/memory retain last value.</p> <p>"GENERATE_X_ONLY" = no warning however affected outputs/memory go unknown (X).</p> <p>"NONE" = no warning and affected outputs/memory retain last value.</p> <p><i>Note:</i> Setting this to a value other than "ALL" can allow problems in the design go unnoticed during simulation. Care should be taken when changing the value of this attribute.</p>
SIM_MODE	String	"SAFE" or "FAST" .	"SAFE"	This is a simulation only attribute. It will direct the simulation model to run in performance-oriented mode when set to "FAST." Please see the Synthesis and Simulation Design Guide for more information.
SRVAL	Hexadecimal	Any 72-Bit Value	All zeroes	Specifies the output value of on the DO port upon the assertion of the synchronous reset (RST) signal.
INIT_00 to INIT_7F	Hexadecimal	Any 256-Bit Value	All zeroes	Allows specification of the initial contents of the 16Kb or 32Kb data memory array.
INITP_00 to INITP_0F	Hexadecimal	Any 256-Bit Value	All zeroes	Allows specification of the initial contents of the 2Kb or 4Kb parity data memory array.

VHDL Instantiation Template

Unless they already exist, copy the following two statements and paste them before the entity declaration.

```
library UNIMACRO;
use unimacro.vcomponents.all;
```

```
-- BRAM_SDP_MACRO: Simple Dual Port RAM
--
-- Virtex-5
-- Xilinx HDL Libraries Guide, version 10.1.2

BRAM_SDP_MACRO_inst : BRAM_SDP_MACRO
generic map (
BRAM_SIZE => "18Kb", -- Target BRAM, "18Kb" or "36Kb"
DEVICE => "VIRTEX5" -- Target device: "VIRTEX5"
WRITE_WIDTH => 0, -- Valid values are 1, 2, 4, 9, 18, 36 or 72 (72 only valid when BRAM_SIZE="36Kb")
READ_WIDTH => 0, -- Valid values are 1, 2, 4, 9, 18, 36 or 72 (72 only valid when BRAM_SIZE="36Kb")
DO_REG => 0, -- Optional output register (0 or 1)
INIT_FILE => "NONE",
SIM_COLLISION_CHECK => "ALL", -- Collision check enable "ALL", "WARNING_ONLY",
-- "GENERATE_X_ONLY" or "NONE"
SIM_MODE => "SAFE", -- Simulation: "SAFE" vs "FAST", see "Synthesis and Simulation Design Guide"
-- for details
SRVAL => X"000000000000000000", -- Set/Reset value for port output
INIT => X"000000000000000000", -- Initial values on output port
-- The following INIT_xx declarations specify the initial contents of the RAM
INIT_00 => X"0000000000000000000000000000000000000000000000000000000000000000",
INIT_01 => X"0000000000000000000000000000000000000000000000000000000000000000",
INIT_02 => X"0000000000000000000000000000000000000000000000000000000000000000",
INIT_03 => X"0000000000000000000000000000000000000000000000000000000000000000",
INIT_04 => X"0000000000000000000000000000000000000000000000000000000000000000",
INIT_05 => X"0000000000000000000000000000000000000000000000000000000000000000",
INIT_06 => X"0000000000000000000000000000000000000000000000000000000000000000",
INIT_07 => X"0000000000000000000000000000000000000000000000000000000000000000",
INIT_08 => X"0000000000000000000000000000000000000000000000000000000000000000",
INIT_09 => X"0000000000000000000000000000000000000000000000000000000000000000",
INIT_0A => X"0000000000000000000000000000000000000000000000000000000000000000",
INIT_0B => X"0000000000000000000000000000000000000000000000000000000000000000",
INIT_0C => X"0000000000000000000000000000000000000000000000000000000000000000",
INIT_0D => X"0000000000000000000000000000000000000000000000000000000000000000",
INIT_0E => X"0000000000000000000000000000000000000000000000000000000000000000",
INIT_0F => X"0000000000000000000000000000000000000000000000000000000000000000",
INIT_10 => X"0000000000000000000000000000000000000000000000000000000000000000",
INIT_11 => X"0000000000000000000000000000000000000000000000000000000000000000",
INIT_12 => X"0000000000000000000000000000000000000000000000000000000000000000",
INIT_13 => X"0000000000000000000000000000000000000000000000000000000000000000",
INIT_14 => X"0000000000000000000000000000000000000000000000000000000000000000",
INIT_15 => X"0000000000000000000000000000000000000000000000000000000000000000",
INIT_16 => X"0000000000000000000000000000000000000000000000000000000000000000",
INIT_17 => X"0000000000000000000000000000000000000000000000000000000000000000",
INIT_18 => X"0000000000000000000000000000000000000000000000000000000000000000",
INIT_19 => X"0000000000000000000000000000000000000000000000000000000000000000",
INIT_1A => X"0000000000000000000000000000000000000000000000000000000000000000",
INIT_1B => X"0000000000000000000000000000000000000000000000000000000000000000",
INIT_1C => X"0000000000000000000000000000000000000000000000000000000000000000",
INIT_1D => X"0000000000000000000000000000000000000000000000000000000000000000",
INIT_1E => X"0000000000000000000000000000000000000000000000000000000000000000",
INIT_1F => X"0000000000000000000000000000000000000000000000000000000000000000",
INIT_20 => X"0000000000000000000000000000000000000000000000000000000000000000",
INIT_21 => X"0000000000000000000000000000000000000000000000000000000000000000",
INIT_22 => X"0000000000000000000000000000000000000000000000000000000000000000",
INIT_23 => X"0000000000000000000000000000000000000000000000000000000000000000",
INIT_24 => X"0000000000000000000000000000000000000000000000000000000000000000",
INIT_25 => X"0000000000000000000000000000000000000000000000000000000000000000",
INIT_26 => X"0000000000000000000000000000000000000000000000000000000000000000",
INIT_27 => X"0000000000000000000000000000000000000000000000000000000000000000",
INIT_28 => X"0000000000000000000000000000000000000000000000000000000000000000",
INIT_29 => X"0000000000000000000000000000000000000000000000000000000000000000",
INIT_2A => X"0000000000000000000000000000000000000000000000000000000000000000",
INIT_2B => X"0000000000000000000000000000000000000000000000000000000000000000",
INIT_2C => X"0000000000000000000000000000000000000000000000000000000000000000",
INIT_2D => X"0000000000000000000000000000000000000000000000000000000000000000",
INIT_2E => X"0000000000000000000000000000000000000000000000000000000000000000",
INIT_2F => X"0000000000000000000000000000000000000000000000000000000000000000",
INIT_30 => X"0000000000000000000000000000000000000000000000000000000000000000",
INIT_31 => X"0000000000000000000000000000000000000000000000000000000000000000",
INIT_32 => X"0000000000000000000000000000000000000000000000000000000000000000",
INIT_33 => X"0000000000000000000000000000000000000000000000000000000000000000",
INIT_34 => X"0000000000000000000000000000000000000000000000000000000000000000",
INIT_35 => X"0000000000000000000000000000000000000000000000000000000000000000",
```



```

INIT_7D => X"0000000000000000000000000000000000000000000000000000000000000000",
INIT_7E => X"0000000000000000000000000000000000000000000000000000000000000000",
INIT_7F => X"0000000000000000000000000000000000000000000000000000000000000000",

-- The next set of INITP_xx are for the parity bits
INITP_00 => X"0000000000000000000000000000000000000000000000000000000000000000",
INITP_01 => X"0000000000000000000000000000000000000000000000000000000000000000",
INITP_02 => X"0000000000000000000000000000000000000000000000000000000000000000",
INITP_03 => X"0000000000000000000000000000000000000000000000000000000000000000",
INITP_04 => X"0000000000000000000000000000000000000000000000000000000000000000",
INITP_05 => X"0000000000000000000000000000000000000000000000000000000000000000",
INITP_06 => X"0000000000000000000000000000000000000000000000000000000000000000",
INITP_07 => X"0000000000000000000000000000000000000000000000000000000000000000",

-- The next set of INIT_xx are valid when configured as 36Kb
INITP_08 => X"0000000000000000000000000000000000000000000000000000000000000000",
INITP_09 => X"0000000000000000000000000000000000000000000000000000000000000000",
INITP_0A => X"0000000000000000000000000000000000000000000000000000000000000000",
INITP_0B => X"0000000000000000000000000000000000000000000000000000000000000000",
INITP_0C => X"0000000000000000000000000000000000000000000000000000000000000000",
INITP_0D => X"0000000000000000000000000000000000000000000000000000000000000000",
INITP_0E => X"0000000000000000000000000000000000000000000000000000000000000000",
INITP_0F => X"0000000000000000000000000000000000000000000000000000000000000000")
port map (
DO => DO,          -- Output read data port
DI => DI,          -- Input write data port
RDADDR => RDADDR, -- Input read address
RDCLK => RDCLK,   -- Input read clock
RDEN => RDEN,     -- Input read port enable
REGCE => REGCE,   -- Input read output register enable
RST => RST,       -- Input reset
WE => WE,         -- Input write enable
WRADDR => WRADDR, -- Input write address
WRCLK => WRCLK,   -- Input write clock
WREN => WREN      -- Input write port enable
);
-- End of BRAM_SDP_MACRO_inst instantiation

```

Verilog Instantiation Template

```

// BRAM_SDP_MACRO: Simple Dual Port RAM
//          Virtex-5
// Xilinx HDL Libraries Guide, version 10.1.2

BRAM_SDP_MACRO #(
.BRAM_SIZE("18Kb"), // Target BRAM, "18Kb" or "36Kb"
.DEVICE("VIRTEX5"), // Target device: "VIRTEX5"
.WRITE_WIDTH(0),    // Valid values are 1, 2, 4, 9, 18, 36 or 72 (72 only valid when BRAM_SIZE="36Kb")
.READ_WIDTH(0),     // Valid values are 1, 2, 4, 9, 18, 36 or 72 (72 only valid when BRAM_SIZE="36Kb")
.DO_REG(0),         // Optional output register (0 or 1)
.INIT_FILE ("NONE"),
.SIM_COLLISION_CHECK ("ALL"), // Collision check enable "ALL", "WARNING_ONLY",
// "GENERATE_X_ONLY" or "NONE"
.SIM_MODE("SAFE"), // Simulation: "SAFE" vs. "FAST", see "Synthesis and Simulation Design Guide" for details
.SRVAL(72'h0000000000000000), // Set/Reset value for port output
.INIT(72'h0000000000000000), // Initial values on output port
.INIT_00(256'h0000000000000000000000000000000000000000000000000000000000000000),
.INIT_01(256'h0000000000000000000000000000000000000000000000000000000000000000),
.INIT_02(256'h0000000000000000000000000000000000000000000000000000000000000000),
.INIT_03(256'h0000000000000000000000000000000000000000000000000000000000000000),
.INIT_04(256'h0000000000000000000000000000000000000000000000000000000000000000),
.INIT_05(256'h0000000000000000000000000000000000000000000000000000000000000000),
.INIT_06(256'h0000000000000000000000000000000000000000000000000000000000000000),
.INIT_07(256'h0000000000000000000000000000000000000000000000000000000000000000),
.INIT_08(256'h0000000000000000000000000000000000000000000000000000000000000000),
.INIT_09(256'h0000000000000000000000000000000000000000000000000000000000000000),
.INIT_0A(256'h0000000000000000000000000000000000000000000000000000000000000000),
.INIT_0B(256'h0000000000000000000000000000000000000000000000000000000000000000),
.INIT_0C(256'h0000000000000000000000000000000000000000000000000000000000000000),

```



```
.WRADDR(WRADDR), // Input write address
.WRCLK(WRCLK),   // Input write clock
.WREN(WREN)      // Input write port enable
);

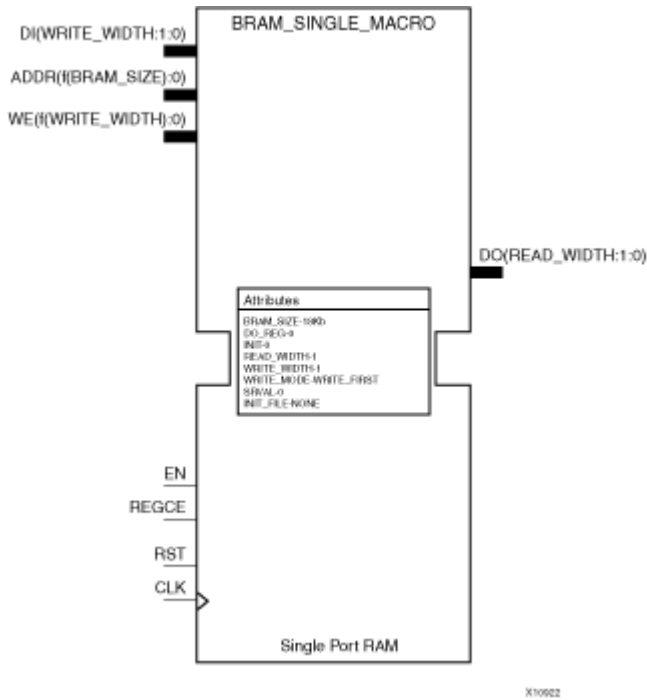
// End of BRAM_SDP_MACRO_inst instantiation
```

For More Information

- See the [Virtex-5 User Guide](#).
- See the [Virtex-5 Data Sheets](#).

BRAM_SINGLE_MACRO

Single Port RAM



Introduction

Virtex-5 devices contain several block RAM memories that can be configured as general-purpose 36KB or 18KB RAM/ROM memories. These single-port, block RAM memories offer fast and flexible storage of large amounts of on-chip data. Byte-enable write operations are possible, and an optional output register can be used to reduce the clock-to-out times of the RAM.

Port Description

Name	Direction	Width	Function
Output Ports			
DO	Output	See Configuration Table below	Data output bus addressed by ADDR.
Input Ports			
DI	Input	See Configuration Table below	Data input bus addressed by ADDR.
ADDR	Input	See Configuration Table below	Address input bus.
WE	Input	See Configuration Table below	Byte-Wide Write enable.
EN	Input	1	Write/Read enables.
RST	Input	1	Output registers synchronous reset.

Name	Direction	Width	Function
REGCE	Input	1	Output register clock enable input (valid only when DO_REG=1)
CLK	Input	1	Clock input.

Configuration Table

READ_WIDTH	WRITE_WIDTH	BRAM_SIZE	ADDR	WE
36 - 19	36 - 19	36Kb	10	4
	18-10		11	
	9 - 5		12	
	4 - 3		13	
	2		14	
	1		15	
18 - 10	36 - 19	36Kb	11	2
	18-10		11	
	9 - 5		12	
	4 - 3		13	
	2		14	
	1		15	
9 - 5	36-19	36Kb	12	1
	18-10		12	
	9 - 5		12	
	4 - 3		13	
	2		14	
	1		15	
4 - 3	36-19	36Kb	13	1
	18-10		13	
	9 - 5		13	
	4 - 3		13	
	2		14	
	1		15	
2	36-19	36Kb	14	1
	18-10		14	
	9 - 5		14	
	4 - 3		14	
	2		14	
	1		15	

READ_WIDTH	WRITE_WIDTH	BRAM_SIZE	ADDR	WE
1	36 - 19	36Kb	15	1
	18 - 10		15	
	9 - 5		15	
	3 - 4		15	
	2		15	
	1		15	
18-10	18-10	18Kb	10	2
	9 - 5		11	
	4 - 3		12	
	2		13	
	1		14	
9 - 5	18-10	18Kb	11	1
	9 - 5		11	
	4 - 3		12	
	2		13	
	1		14	
4 - 3	18-10	18Kb	12	1
	9 - 5		12	
	4 - 3		12	
	2		13	
	1		14	
2	18-10	18Kb	13	1
	9 - 5		13	
	4 - 3		13	
	2		13	
	1		14	
1	18-10	18Kb	14	1
	9 - 5		14	
	4 - 3		14	
	2		14	
	1		14	

Design Entry Method

This unimacro can be instantiated only. It is a parameterizable version of the primitive. Consult the above Configuration Table in correctly configuring this element to meet your design needs.

Instantiation	Yes
Inference	No
Coregen and wizards	No
Macro support	Recommended

Available Attributes

Attribute	Type	Allowed Values	Default	Description
BRAM_SIZE	String	"18Kb", "36Kb"	"18Kb"	Configures RAM as 18Kb or 36Kb memory.
DO_REG	Integer	0 or 1	0	A value of 1 enables to the output registers to the RAM enabling quicker clock-to-out from the RAM at the expense of an added clock cycle of read latency. A value of 0 allows a read in one clock cycle but will have slower clock to out timing.
READ_WIDTH	Integer	1 - 36	1	Specifies size of output bus.
WRITE_WIDTH	Integer	1 - 36	1	Specifies size of input bus.
WRITE_MODE	String	"READ_FIRST", "WRITE_FIRST" or "NO_CHANGE"	"WRITE_FIRST"	Specifies write mode to the memory
INIT	Hexadecimal	Any 72-Bit Value	All zeros	Specifies the initial value on the output after configuration.
SRVAL	Hexadecimal	Any 72-Bit Value	All zeroes	Specifies the output value of on the DO port upon the assertion of the synchronous reset (RST) signal.
SIM_MODE	String	"SAFE" or "FAST"	"SAFE"	This is a simulation only attribute. It will direct the simulation model to run in performance-oriented mode when set to "FAST." Please see the Synthesis and Simulation Design Guide for more information.
INIT_00 to INIT_FF	Hexadecimal	Any 256-Bit Value	All zeroes	Allows specification of the initial contents of the 16Kb or 32Kb data memory array.
INITP_00 to INITP_0F	Hexadecimal	Any 256-Bit Value	All zeroes	Allows specification of the initial contents of the 2Kb or 4Kb parity data memory array.

VHDL Instantiation Template

Unless they already exist, copy the following two statements and paste them before the entity declaration.

```
library UNIMACRO;
use unimacro.vcomponents.all;

-- BRAM_SINGLE_MACRO: Single Port RAM
--                   Virtex-5
-- Xilinx HDL Libraries Guide, version 10.1.2
```



```

-- The next set of INITP_xx are for the parity bits
INITP_00 => X"0000000000000000000000000000000000000000000000000000000000000000",
INITP_01 => X"0000000000000000000000000000000000000000000000000000000000000000",
INITP_02 => X"0000000000000000000000000000000000000000000000000000000000000000",
INITP_03 => X"0000000000000000000000000000000000000000000000000000000000000000",
INITP_04 => X"0000000000000000000000000000000000000000000000000000000000000000",
INITP_05 => X"0000000000000000000000000000000000000000000000000000000000000000",
INITP_06 => X"0000000000000000000000000000000000000000000000000000000000000000",
INITP_07 => X"0000000000000000000000000000000000000000000000000000000000000000",

-- The next set of INIT_xx are valid when configured as 36Kb
INITP_08 => X"0000000000000000000000000000000000000000000000000000000000000000",
INITP_09 => X"0000000000000000000000000000000000000000000000000000000000000000",
INITP_0A => X"0000000000000000000000000000000000000000000000000000000000000000",
INITP_0B => X"0000000000000000000000000000000000000000000000000000000000000000",
INITP_0C => X"0000000000000000000000000000000000000000000000000000000000000000",
INITP_0D => X"0000000000000000000000000000000000000000000000000000000000000000",
INITP_0E => X"0000000000000000000000000000000000000000000000000000000000000000",
INITP_0F => X"0000000000000000000000000000000000000000000000000000000000000000")
port map (
DO => DO,      -- Output data
ADDR => ADDR,  -- Input address
CLK => CLK,    -- Input clock
DI => DI,      -- Input data port
EN => EN,      -- Input RAM enable
REGCE => REGCE, -- Input output register enable
RST => RST,    -- Input reset
WE => WE      -- Input write enable
);

-- End of BRAM_SINGLE_MACRO_inst instantiation

```

Verilog Instantiation Template

```

// BRAM_SINGLE_MACRO: Single Port RAM
//                               Virtex-5
// Xilinx HDL Libraries Guide, version 10.1.2

BRAM_SINGLE_MACRO #(
.BRAM_SIZE("18Kb"), // Target BRAM, "18Kb" or "36Kb"
.DEVICE("VIRTEX5"), // Target Device: "VIRTEX5"
.DO_REG(0), // Optional output register (0 or 1)
.INIT(36'h000000000), // Initial values on output port
.INIT_FILE ("NONE"),
.WRITE_WIDTH(0), // Valid values are 1, 2, 4, 9, 18, 36 or 72 (72 only valid when BRAM_SIZE="36Kb")
.READ_WIDTH(0), // Valid values are 1, 2, 4, 9, 18, 36 or 72 (72 only valid when BRAM_SIZE="36Kb")
.SIM_MODE("SAFE"), // Simulation: "SAFE" vs. "FAST", see "Synthesis and Simulation Design Guide" for details
.SRVAL(36'h000000000), // Set/Reset value for port output
.WRITE_MODE("WRITE_FIRST"), // "WRITE_FIRST", "READ_FIRST", or "NO_CHANGE"
.INIT_00(256'h0000000000000000000000000000000000000000000000000000000000000000),
.INIT_01(256'h0000000000000000000000000000000000000000000000000000000000000000),
.INIT_02(256'h0000000000000000000000000000000000000000000000000000000000000000),
.INIT_03(256'h0000000000000000000000000000000000000000000000000000000000000000),
.INIT_04(256'h0000000000000000000000000000000000000000000000000000000000000000),
.INIT_05(256'h0000000000000000000000000000000000000000000000000000000000000000),
.INIT_06(256'h0000000000000000000000000000000000000000000000000000000000000000),
.INIT_07(256'h0000000000000000000000000000000000000000000000000000000000000000),
.INIT_08(256'h0000000000000000000000000000000000000000000000000000000000000000),
.INIT_09(256'h0000000000000000000000000000000000000000000000000000000000000000),
.INIT_0A(256'h0000000000000000000000000000000000000000000000000000000000000000),
.INIT_0B(256'h0000000000000000000000000000000000000000000000000000000000000000),
.INIT_0C(256'h0000000000000000000000000000000000000000000000000000000000000000),
.INIT_0D(256'h0000000000000000000000000000000000000000000000000000000000000000),
.INIT_0E(256'h0000000000000000000000000000000000000000000000000000000000000000),
.INIT_0F(256'h0000000000000000000000000000000000000000000000000000000000000000),
.INIT_10(256'h0000000000000000000000000000000000000000000000000000000000000000),
.INIT_11(256'h0000000000000000000000000000000000000000000000000000000000000000),
.INIT_12(256'h0000000000000000000000000000000000000000000000000000000000000000),
.INIT_13(256'h0000000000000000000000000000000000000000000000000000000000000000),

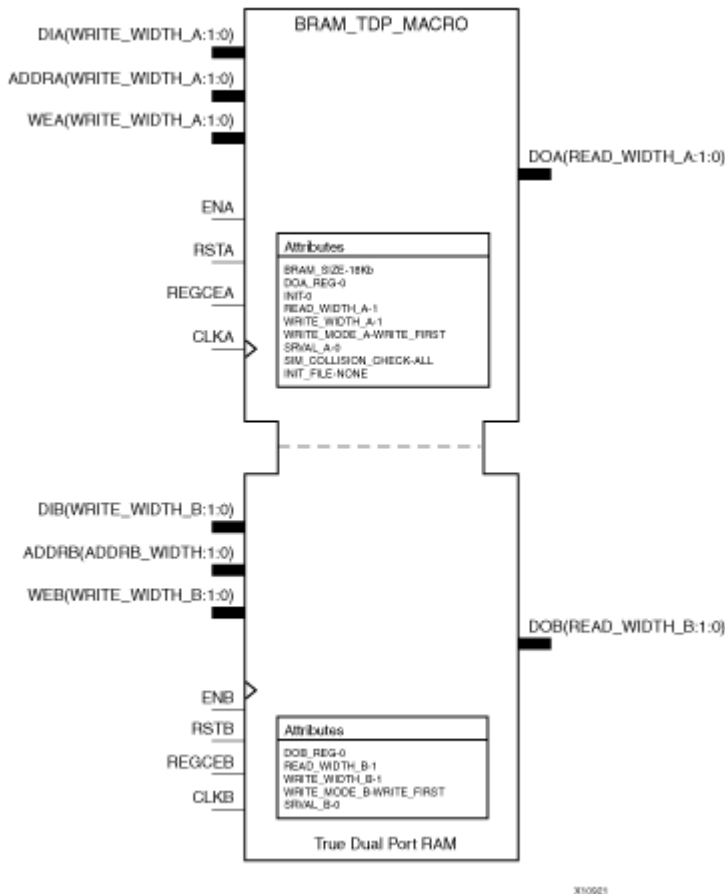
```


For More Information

- See the [Virtex-5 User Guide](#).
- See the [Virtex-5 Data Sheets](#).

BRAM_TDP_MACRO

True Dual Port RAM



X10021

Introduction

Virtex-5 devices contain several block RAM memories that can be configured as general-purpose 36KB or 18KB RAM/ROM memories. These block RAM memories offer fast and flexible storage of large amounts of on-chip data. Both read and write operations are fully synchronous to the supplied clock(s) of the component. However, READ and WRITE ports can operate fully independently and asynchronous to each other, accessing the same memory array. Byte-enable write operations are possible, and an optional output register can be used to reduce the clock-to-out times of the RAM.

Port Description

Name	Direction	Width	Function
Output Ports			
DOA	Output	See Configuration Table below	Data output bus addressed by ADDRA.
DOB	Output	See Configuration Table below	Data output bus addressed by ADDRb.
Input Ports			

Name	Direction	Width	Function
DIA	Input	See Configuration Table below	Data input bus addressed by ADDRA.
DIB	Input	See Configuration Table below	Data input bus addressed by ADDR B.
ADDRA, ADDR B	Input	See Configuration Table below	Address input buses for Port A, B.
WEA, WEB	Input	See Configuration Table below	Write enable for Port A, B.
ENA, ENB	Input	1	Write/Read enables for Port A, B.
RSTA, RSTB	Input	1	Output registers synchronous reset for Port A, B.
REGCEA, REGCEB	Input	1	Output register clock enable input for Port A, B (valid only when DO_REG=1)
CLKA, CLKB	Input	1	Write/Read clock input for Port A, B.

Configuration Table

READ_WIDTH_A/B-DOA/DOB	WRITE_WIDTH_A/B-DIA/DIB	BRAM_SIZE	ADDRA/B	WEA/B
36 - 19	36 - 19	36Kb	10	4
	18-10		11	
	9 - 5		12	
	4 - 3		13	
	2		14	
	1		15	
18 - 10	36 - 19	36Kb	11	2
	18-10		11	
	9 - 5		12	
	4 - 3		13	
	2		14	
	1		15	
9 - 5	36-19	36Kb	12	1
	18-10		12	
	9 - 5		12	
	4 - 3		13	
	2		14	
	1		15	

READ_WIDTH_A/B-DOA/DOB	WRITE_WIDTH_A/B-DIA/DIB	BRAM_SIZE	ADDRA/B	WEA/B
4 - 3	36-19	36Kb	13	1
	18-10		13	
	9 - 5		13	
	4 - 3		13	
	2		14	
	1		15	
2	36-19	36Kb	14	1
	18-10		14	
	9 - 5		14	
	4 - 3		14	
	2		14	
	1		15	
1	36-19	36Kb	15	1
	18-10		15	
	9 - 5		15	
	4 - 3		15	
	2		15	
	1		15	
18-10	18-10	18Kb	10	2
	9 - 5		11	
	4 - 3		12	
	2		13	
	1		14	
9 - 5	18-10	18Kb	11	1
	9 - 5		11	
	4 - 3		12	
	2		13	
	1		14	
4 - 3	18-10	18Kb	12	1
	9 - 5		12	
	4 - 3		12	
	2		13	
	1		14	
2	18-10	18Kb	13	1
	9 - 5		13	
	4 - 3		13	
	2		13	
	1		14	

READ_WIDTH_A/B-DOA/DOB	WRITE_WIDTH_A/B-DIA/DIB	BRAM_SIZE	ADDRA/B	WEA/B
1	18-10	18Kb	14	1
	9 - 5		14	
	4 - 3		14	
	2		14	
	1		14	
1	1	Cascade	16	1

Design Entry Method

This unimacro can be instantiated only. It is a parameterizable version of the primitive. Consult the Configuration Table above to correctly configure it to meet your design needs.

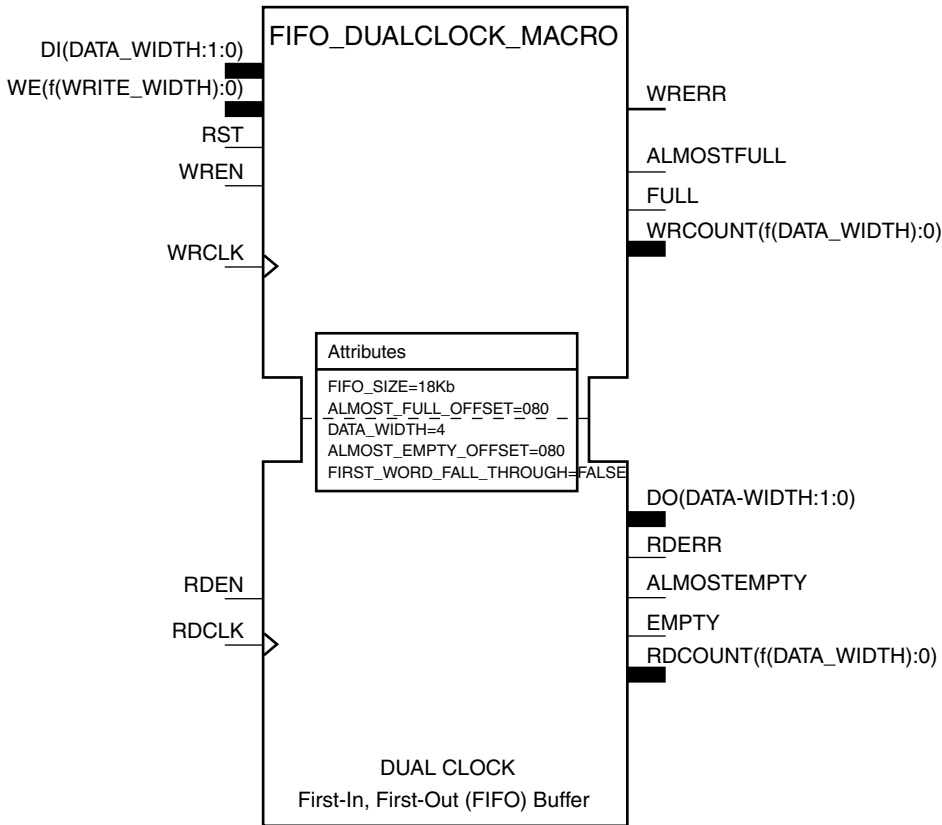
Instantiation	Yes
Inference	No
Coregen and wizards	No
Macro support	Recommended

Available Attributes

Attribute(s)	Type	Allowed Values	Default	Description
BRAM_SIZE	String	"18Kb", "36Kb"	"18Kb"	Configures RAM as 18Kb or 36Kb memory.
DO_REG	Integer	0 or 1	0	A value of 1 enables to the output registers to the RAM enabling quicker clock-to-out from the RAM at the expense of an added clock cycle of read latency. A value of 0 allows a read in one clock cycle but will have slower clock to out timing.
INIT	Hexadecimal	Any 72-Bit Value	All zeros	Specifies the initial value on the output after configuration.
READ_WIDTH, WRITE_WIDTH	Integer	1 - 72	36	Specifies size of DI/DO bus. READ_WIDTH and WRITE_WIDTH must be equal.
SIM_COLLISION_CHECK	String	"ALL," "WARNING_ONLY", "GENERATE_X_ONLY" or "NONE"	"ALL"	<p>Allows modification of the simulation behavior so that if a memory collision occurs:</p> <p>"ALL" = warning produced and affected outputs/memory location go unknown (X).</p> <p>"WARNING_ONLY" = warning produced and affected outputs/memory retain last value.</p> <p>"GENERATE_X_ONLY" = no warning however affected outputs/memory go unknown (X).</p> <p>"NONE" = no warning and affected outputs/memory retain last value.</p> <p><i>Note:</i> Setting this to a value other than "ALL" can allow problems in the design go unnoticed during simulation. Care should be taken when changing the value of this attribute.</p>

FIFO_DUALCLOCK_MACRO

Dual-Clock First-In, First-Out (FIFO) RAM Buffer



X10965

Introduction

Virtex-5 devices contain several block RAM memories that can be configured as general-purpose 36KB or 18KB RAM/ROM memories. In the Virtex-5 architecture, dedicated logic in the block RAM enables you to easily implement FIFOs. The FIFO can be configured as an 18 Kb or 36 Kb memory. This unimacro configures the FIFO for using independent read and writes clocks. Data is read from the FIFO on the rising edge of read clock and written to the FIFO on the rising edge of write clock.

Depending on the offset between read and write clock edges, the Empty, Almost Empty, Full and Almost Full flags can deassert one cycle later. Due to the asynchronous nature of the clocks the simulation model only reflects the deassertion latency cycles listed in the User Guide.

Port Description

Name	Direction	Width	Function
Output Ports			
ALMOSTEMPTY	Output	1	Almost all valid entries in FIFO have been read.
ALMOSTFULL	Output	1	Almost all entries in FIFO memory have been filled.

Name	Direction	Width	Function
DO	Output	See Configuration Table below.	Data output bus addressed by ADDR.
EMPTY	Output	1	FIFO is empty.
FULL	Output	1	All entries in FIFO memory are filled.
RDCOUNT	Output	See Configuration Table below.	FIFO data read pointer.
RDERR	Output	1	When the FIFO is empty, any additional read operation generates an error flag.
WRCOUNT	Output	See Configuration Table below.	FIFO data write pointer.
WRERR	Output	1	When the FIFO is full, any additional write operation generates an error flag.
Input Ports			
DI	Input	See Configuration Table below.	Data input bus addressed by ADDR.
RDCLK	Input	1	Clock for Read domain operation.
RDEN	Input	1	Read Enable
RST	Input	1	Asynchronous reset.
WRCLK	Input	1	Clock for Write domain operation.
WREN	Input	1	Write Enable

Configuration Table

This macro can be instantiated only. The macro is a parameterizable version of the primitive. Please use the Configuration Table below to correctly configure the macro to meet the design needs.

DATA_WIDTH	FIFO_SIZE	WRCOUNT	RDCOUNT
72 - 37	36Kb	9	9
36 - 19	36Kb	10	10
	18Kb	9	9
18 - 10	36Kb	11	11
	18Kb	10	10
9-5	36Kb	12	12
	18Kb	11	11
1-4	36Kb	13	13
	18Kb	12	12

Design Entry Method

This unimacro can be instantiated only. It is a parameterizable version of the primitive. Consult the above Configuration Table in correctly configuring this element to meet your design needs.

Instantiation	Yes
Inference	No
Coregen and wizards	No
Macro support	Recommended

Available Attributes

Attribute	Type	Allowed Values	Default	Description
ALMOST_EMPTY_OFFSET	Hexadecimal	13-Bit Value	All zeros	Setting determines the difference between EMPTY and ALMOSTEMPTY conditions. Must be set using hexadecimal notation.
ALMOST_FULL_OFFSET	Hexadecimal	13-Bit Value	All zeros	Setting determines the difference between FULL and ALMOSTFULL conditions. Must be set using hexadecimal notation.
DATA_WIDTH	Integer	1 - 72	4	Width of DI/DO bus.
FIFO_SIZE	String	18Kb, 36Kb	18Kb	Configures FIFO as 18Kb or 36Kb memory.
FIRST_WORD_FALL_THROUGH	Boolean	FALSE, TRUE	FALSE	If TRUE, the first word written into the empty FIFO appears at the FIFO output without RDEN asserted.
SIM_MODE	String	"SAFE" or "FAST"	"SAFE"	This is a simulation only attribute. It will direct the simulation model to run in performance-oriented mode when set to "FAST." Please see the Synthesis and Simulation Design Guide for more information.

VHDL Instantiation Template

Unless they already exist, copy the following two statements and paste them before the entity declaration.

```
library UNIMACRO;
use unimacro.vcomponents.all;

-- FIFO_DUALCLOCK_MACRO: Dual-Clock First-In, First-Out (FIFO) RAM Buffer
--                               Virtex-5
-- Xilinx HDL Libraries Guide, version 10.1.2

FIFO_DUALCLOCK_MACRO_inst : FIFO_DUALCLOCK_MACRO
generic map (
DEVICE => "VIRTEX5",           -- Target Device: "VIRTEX5"
ALMOST_FULL_OFFSET => X"0080", -- Sets almost full threshold
ALMOST_EMPTY_OFFSET => X"0080", -- Sets the almost empty threshold
DATA_WIDTH => 0,             -- Valid values are 4, 9, 18, 36 or 72 (72 only valid when FIFO_SIZE="36Kb")
FIFO_SIZE => "18Kb",         -- Target BRAM, "18Kb" or "36Kb"
FIRST_WORD_FALL_THROUGH => FALSE, -- Sets the FIFO FWFT to TRUE or FALSE
SIM_MODE => "SAFE") -- Simulation "SAFE" vs "FAST", see "Synthesis and Simulation Design Guide"
-- for details
port map (
ALMOSTEMPTY => ALMOSTEMPTY, -- Output almost empty
ALMOSTFULL => ALMOSTFULL,   -- Output almost full
```

```

DO => DO,           -- Output data
EMPTY => EMPTY,    -- Output empty
FULL => FULL,      -- Output full
RDCOUNT => RDCOUNT, -- Output read count
RDERR => RDERR,    -- Output read error
WRCOUNT => WRCOUNT, -- Output write count
WRERR => WRERR,    -- Output write error
DI => DI,          -- Input data
RDCLK => RDCLK,    -- Input read clock
RDEN => RDEN,      -- Input read enable
RST => RST,        -- Input reset
WRCLK => WRCLK,    -- Input write clock
WREN => WREN       -- Input write enable
);
-- End of FIFO_DUALCLOCK_MACRO_inst instantiation
    
```

Verilog Instantiation Template

```

// FIFO_DUALCLOCK_MACRO: Dual Clock First-In, First-Out (FIFO) RAM Buffer
//                               Virtex-5
// Xilinx HDL Libraries Guide, version 10.1.2

FIFO_DUALCLOCK_MACRO #(
    .ALMOST_EMPTY_OFFSET(9'h080), // Sets the almost empty threshold
    .ALMOST_FULL_OFFSET(9'h080),  // Sets almost full threshold
    .DATA_WIDTH(0),               // Valid values are 4, 9, 18, 36 or 72 (72 only valid when FIFO_SIZE="36Kb")
    .DEVICE("VIRTEX5"),           // Target device: "VIRTEX5"
    .FIFO_SIZE ("18Kb"),          // Target BRAM: "18Kb" or "36Kb"
    .FIRST_WORD_FALL_THROUGH ("FALSE"), // Sets the FIFO FWFT to "TRUE" or "FALSE"
    .SIM_MODE("SAFE") // Simulation: "SAFE" vs. "FAST", see "Synthesis and Simulation Design Guide" for details
) FIFO_DUALCLOCK_MACRO (
    .ALMOSTEMPTY(ALMOSTEMPTY), // Output almost empty
    .ALMOSTFULL(ALMOSTFULL),   // Output almost full
    .DO(DO),                   // Output data
    .EMPTY(EMPTY),             // Output empty
    .FULL(FULL),               // Output full
    .RDCOUNT(RDCOUNT),         // Output read count
    .RDERR(RDERR),            // Output read error
    .WRCOUNT(WRCOUNT),         // Output write count
    .WRERR(WRERR),            // Output write error
    .DI(DI),                   // Input data
    .RDCLK(RDCLK),             // Input read clock
    .RDEN(RDEN),               // Input read enable
    .RST(RST),                 // Input reset
    .WRCLK(WRCLK),             // Input write clock
    .WREN(WREN)                // Input write enable
);

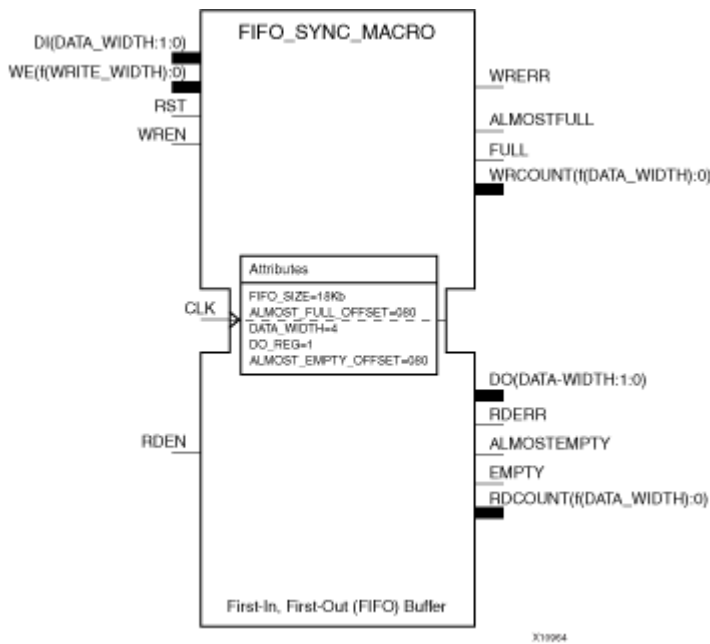
// End of FIFO_DUALCLOCK_MACRO_inst instantiation
    
```

For More Information

- See the [Virtex-5 User Guide](#).
- See the [Virtex-5 Data Sheets](#).

FIFO_SYNC_MACRO

First-In, First-Out (FIFO) RAM Buffer



Introduction

Virtex-5 devices contain several block RAM memories that can be configured as general-purpose 36KB or 18KB RAM/ROM memories. In the Virtex-5 architecture, dedicated logic in the block RAM enables you to easily implement FIFOs. The FIFO can be configured as an 18 Kb or 36 Kb memory. This unimacro configures the FIFO such that it uses one clock for reading as well as writing.

Port Description

Name	Direction	Width	Function
Output Ports			
ALMOSTEMPTY	Output	1	Almost all valid entries in FIFO have been read.
ALMOSTFULL	Output	1	Almost all entries in FIFO memory have been filled.
DO	Output	See Configuration Table below.	Data output bus addressed by ADDR.
EMPTY	Output	1	FIFO is empty.
FULL	Output	1	All entries in FIFO memory are filled.
RDCOUNT	Output	See Configuration Table below.	FIFO data read pointer.
RDERR	Output	1	When the FIFO is empty, any additional read operation generates an error flag.
WRCOUNT	Output	See Configuration Table below.	FIFO data write pointer.

Name	Direction	Width	Function
WRERR	Output	1	When the FIFO is full, any additional write operation generates an error flag.
Input Ports			
CLK	Input	1	Clock for Read/Write domain operation.
DI	Input	See Configuration Table below.	Data input bus addressed by ADDR.
RDEN	Input	1	Read Enable
RST	Input	1	Asynchronous reset.
WREN	Input	1	Write Enable

Configuration Table

This macro can be instantiated only. The macro is a parameterizable version of the primitive. Please use the configuration table below to correctly configure the macro to meet the design needs.

DATA_WIDTH	FIFO_SIZE	WRCOUNT	RDCOUNT
72 - 37	36Kb	9	9
36 - 19	36Kb	10	10
	18Kb	9	9
18 - 10	36Kb	11	11
	18Kb	10	10
9-5	36Kb	12	12
	18Kb	11	11
1-4	36Kb	13	13
	18Kb	12	12

Design Entry Method

This unimacro can be instantiated only. It is a parameterizable version of the primitive. Consult the above Configuration Table in correctly configuring this element to meet your design needs.

Instantiation	Yes
Inference	No
Coregen and wizards	No
Macro support	Recommended

Available Attributes

Attribute	Type	Allowed Values	Default	Description
ALMOST_EMPTY_OFFSET	Hexadecimal	Any 13-Bit Value	All zeros	Setting determines the difference between EMPTY and ALMOSTEMPTY conditions. Must be set using hexadecimal notation.

Attribute	Type	Allowed Values	Default	Description
ALMOST_FULL_OFFSET	Hexadecimal	Any 13-Bit Value	All zeros	Setting determines the difference between FULL and ALMOSTFULL conditions. Must be set using hexadecimal notation.
DATA_WIDTH	Integer	1 - 72	4	Width of DI/DO bus.
DO_REG	Binary	0,1	1	DO_REG must be set to 0 for flags and data to follow a standard synchronous FIFO operation. When DO_REG is set to 1, effectively a pipeline register is added to the output of the synchronous FIFO. Data then has a one clock cycle latency. However, the clock-to-out timing is improved.
FIFO_SIZE	String	18Kb, 36Kb	18Kb	Configures FIFO as 18Kb or 36Kb memory.
SIM_MODE	String	"SAFE" or "FAST"	"SAFE"	This is a simulation only attribute. It will direct the simulation model to run in performance-oriented mode when set to "FAST." Please see the Synthesis and Simulation Design Guide for more information.

VHDL Instantiation Template

Unless they already exist, copy the following two statements and paste them before the entity declaration.

```
library UNIMACRO;
use unimacro.vcomponents.all;

-- FIFO_SYNC_MACRO: Synchronous First-In, First-Out (FIFO) RAM Buffer
-- Virtex-5
-- Xilinx HDL Libraries Guide, version 10.1.2

FIFO_SYNC_MACRO_inst : FIFO_SYNC_MACRO
generic map (
DEVICE => "VIRTEX5",           -- Target Device: "VIRTEX5"
ALMOST_FULL_OFFSET => X"0080", -- Sets almost full threshold
ALMOST_EMPTY_OFFSET => X"0080", -- Sets the almost empty threshold
DATA_WIDTH => 0,               -- Valid values are 4, 9, 18, 36 or 72 (72 only valid when FIFO_SIZE="36Kb")
FIFO_SIZE => "18Kb",           -- Target BRAM, "18Kb" or "36Kb"
SIM_MODE => "SAFE") -- Simulation) "SAFE" vs "FAST", see "Synthesis and Simulation Design Guide"
-- for details
port map (
ALMOSTEMPTY => ALMOSTEMPTY,    -- Output almost empty
ALMOSTFULL => ALMOSTFULL,      -- Output almost full
DO => DO,                       -- Output data
EMPTY => EMPTY,                -- Output empty
FULL => FULL,                   -- Output full
RDCOUNT => RDCOUNT,            -- Output read count
RDERR => RDERR,                -- Output read error
WRCOUNT => WRCOUNT,           -- Output write count
WRERR => WRERR,                -- Output write error
CLK => CLK,                     -- Input clock
DI => DI,                       -- Input data
RDEN => RDEN,                   -- Input read enable
RST => RST,                       -- Input reset
WREN => WREN                     -- Input write enable
);
-- End of FIFO_SYNC_MACRO_inst instantiation
```

Verilog Instantiation Template

```
// FIFO_SYNC_MACRO: Synchronous First-In, First-Out (FIFO) RAM Buffer
```

```

//                               Virtex-5
// Xilinx HDL Libraries Guide, version 10.1.2

FIFO_SYNC_MACRO #(
  .DEVICE("VIRTEX5"), // Target Device: "VIRTEX5"
  .ALMOST_EMPTY_OFFSET(9'h080), // Sets the almost empty threshold
  .ALMOST_FULL_OFFSET(9'h080), // Sets almost full threshold
  .DATA_WIDTH(0), // Valid values are 4, 9, 18, 36 or 72 (72 only valid when FIFO_SIZE="36Kb")
  .DEVICE("VIRTEX5"), // Target device: "VIRTEX5"
  .DO_REG(0), // Optional output register (0 or 1)
  .FIFO_SIZE ("18Kb"), // Target BRAM: "18Kb" or "36Kb"
  .SIM_MODE("SAFE") // Simulation: "SAFE" vs. "FAST", see "Synthesis and Simulation Design Guide" for details
) FIFO_SYNC_MACRO_inst (
  .ALMOSTEMPTY(ALMOSTEMPTY), // Output almost empty
  .ALMOSTFULL(ALMOSTFULL), // Output almost full
  .DO(DO), // Output data
  .EMPTY(EMPTY), // Output empty
  .FULL(FULL), // Output full
  .RDCOUNT(RDCOUNT), // Output read count
  .RDERR(RDERR), // Output read error
  .WRCOUNT(WRCOUNT), // Output write count
  .WRERR(WRERR), // Output write error
  .CLK(CLK), // Input clock
  .DI(DI), // Input data
  .RDEN(RDEN), // Input read enable
  .RST(RST), // Input reset
  .WREN(WREN) // Input write enable
);

// End of FIFO_SYNC_MACRO_inst instantiation

```

For More Information

- See the [Virtex-5 User Guide](#).
- See the [Virtex-5 Data Sheets](#).

Functional Categories

This section categorizes, by function, the circuit design elements described in detail later in this guide. The elements (*primitives* and *macros*) are listed in alphanumeric order under each functional category.

Advanced	Gigabit I/O	Registers & Latches
Arithmetic Functions	I/O Components	Shift Register LUT
Clock Components	Processors	Slice/CLB Primitives
Config/BSCAN Components	RAM/ROM	

Advanced

Design Element	Description
CRC32	Primitive: Cyclic Redundancy Check Calculator for 32 bits
CRC64	Primitive: Cyclic Redundancy Check Calculator for 64 bits
TEMAC	Primitive: Tri-mode Ethernet Media Access Controller (MAC)

Arithmetic Functions

Design Element	Description
DSP48E	Primitive: 25x18 Two's Complement Multiplier with Integrated 48-Bit, 3-Input Adder/Subtractor/Accumulator or 2-Input Logic Unit

Clock Components

Design Element	Description
BUFG	Primitive: Global Clock Buffer
BUFGCE	Primitive: Global Clock Buffer with Clock Enable
BUFGCTRL	Primitive: Global Clock MUX Buffer
BUFGMUX_CTRL	Primitive: 2-to-1 Global Clock MUX Buffer
BUFIO	Primitive: Local Clock Buffer for I/O
BUFR	Primitive: Regional Clock Buffer for I/O and Logic Resources
DCM_ADV	Primitive: Advanced Digital Clock Manager Circuit
IBUFG	Primitive: Dedicated Input Clock Buffer
IBUFGDS	Primitive: Differential Signaling Dedicated Input Clock Buffer and Optional Delay
PLL_ADV	Primitive: Advanced Phase Locked Loop Clock Circuit
PLL_BASE	Primitive: Basic Phase Locked Loop Clock Circuit

Config/BSCAN Components

Design Element	Description
BSCAN_VIRTEX5	Primitive: Virtex-5 JTAG Boundary-Scan Logic Access

Design Element	Description
CAPTURE_VIRTEX5	Primitive: Virtex-5 Readback Register Capture Control
FRAME_ECC_VIRTEX5	Primitive: Virtex-5 Configuration Frame Error Detection and Correction Circuitry
ICAP_VIRTEX5	Primitive: Internal Configuration Access Port
KEY_CLEAR	Primitive: Virtex-5 Configuration Encryption Key Erase
STARTUP_VIRTEX5	Primitive: Virtex-5 Configuration Start-Up Sequence Interface
USR_ACCESS_VIRTEX5	Primitive: Virtex-5 User Access Register

Gigabit I/O

Design Element	Description
GTP_DUAL	Primitive: Dual Gigabit Transceiver
GTX_DUAL	Primitive: Dual Gigabit Transceiver

I/O Components

Design Element	Description
DCIRESET	Primitive: DCI State Machine Reset (After Configuration Has Been Completed)
IBUF	Primitive: Input Buffer
IBUFDS	Primitive: Differential Signaling Input Buffer with Optional Delay
IBUFG	Primitive: Dedicated Input Clock Buffer
IBUFGDS	Primitive: Differential Signaling Dedicated Input Clock Buffer and Optional Delay
IDELAY	Primitive: Input Delay Element
IDELAYCTRL	Primitive: IDELAY Tap Delay Value Control
IOBUF	Primitive: Bi-Directional Buffer
IOBUFDS	Primitive: 3-State Differential Signaling I/O Buffer with Active Low Output Enable
IODELAY	Primitive: Input and Output Fixed or Variable Delay Element
ISERDES_NODELAY	Primitive: Input SERIAL/DESerializer
KEEPER	Primitive: KEEPER Symbol
OBUF	Primitive: Output Buffer
OBUFDS	Primitive: Differential Signaling Output Buffer
OBUFT	Primitive: 3-State Output Buffer with Active Low Output Enable
OBUFTDS	Primitive: 3-State Output Buffer with Differential Signaling, Active-Low Output Enable
OSERDES	Primitive: Dedicated IOB Output Serializer
PULLDOWN	Primitive: Resistor to GND for Input Pads, Open-Drain, and 3-State Outputs
PULLUP	Primitive: Resistor to VCC for Input PADS, Open-Drain, and 3-State Outputs

Processors

Design Element	Description
PPC440	Primitive: PowerPC 440 CPU Core

RAM/ROM

Design Element	Description
FIFO18	Primitive: 18KB FIFO (First In, First Out) Block RAM Memory
FIFO18_36	Primitive: 36-bit Wide by 512 Deep 18KB FIFO (First In, First Out) Block RAM Memory
FIFO36	Primitive: 36KB FIFO (First In, First Out) Block RAM Memory
FIFO36_72	Primitive: 72-Bit Wide by 512 Deep 36KB FIFO (First In, First Out) Block RAM Memory with ECC (Error Detection and Correction Circuitry)
RAM128X1D	Primitive: 128-Deep by 1-Wide Dual Port Random Access Memory (Select RAM)
RAM16X1D_1	Primitive: 16-Deep by 1-Wide Static Dual Port Synchronous RAM with Negative-Edge Clock
RAM16X1S_1	Primitive: 16-Deep by 1-Wide Static Synchronous RAM with Negative-Edge Clock
RAM16X2S	Primitive: 16-Deep by 2-Wide Static Synchronous RAM
RAM16X4S	Primitive: 16-Deep by 4-Wide Static Synchronous RAM
RAM16X8S	Primitive: 16-Deep by 8-Wide Static Synchronous RAM
RAM256X1S	Primitive: 256-Deep by 1-Wide Random Access Memory (Select RAM)
RAM32M	Primitive: 32-Deep by 8-bit Wide Multi Port Random Access Memory (Select RAM)
RAM32X1D	Primitive: 32-Deep by 1-Wide Static Dual Port Synchronous RAM
RAM32X1S_1	Primitive: 32-Deep by 1-Wide Static Synchronous RAM with Negative-Edge Clock
RAM32X2S	Primitive: 32-Deep by 2-Wide Static Synchronous RAM
RAM32X4S	Primitive: 32-Deep by 4-Wide Static Synchronous RAM
RAM32X8S	Primitive: 32-Deep by 8-Wide Static Synchronous RAM
RAM64M	Primitive: 64-Deep by 4-bit Wide Multi Port Random Access Memory (Select RAM)
RAM64X1D	Primitive: 64-Deep by 1-Wide Dual Port Static Synchronous RAM
RAM64X1S	Primitive: 64-Deep by 1-Wide Static Synchronous RAM
RAM64X1S_1	Primitive: 64-Deep by 1-Wide Static Synchronous RAM with Negative-Edge Clock
RAM64X2S	Primitive: 64-Deep by 2-Wide Static Synchronous RAM
RAMB18	Primitive: 18K-bit Configurable Synchronous True Dual Port Block RAM
RAMB18SDP	Primitive: 36-bit by 512 Deep, 18KB Synchronous Simple Dual Port Block RAM
RAMB36	Primitive: 36KB Configurable Synchronous True Dual Port Block RAM
RAMB36SDP	Primitive: 72-bit by 512 Deep, 36KB Synchronous Simple Dual Port Block RAM with ECC (Error Correction Circuitry)

Registers & Latches

Design Element	Description
FDCPE	Primitive: D Flip-Flop with Clock Enable and Asynchronous Preset and Clear

Design Element	Description
FDCPE_1	Primitive: D Flip-Flop with Negative-Edge Clock, Clock Enable, and Asynchronous Preset and Clear
FDRSE	Primitive: D Flip-Flop with Synchronous Reset and Set and Clock Enable
FDRSE_1	Primitive: D Flip-Flop with Negative-Clock Edge, Synchronous Reset and Set, and Clock Enable
IDDR	Primitive: Input Dual Data-Rate Register
IDDR_2CLK	Primitive: Input Dual Data-Rate Register with Dual Clock Inputs
LDCPE	Primitive: Transparent Data Latch with Asynchronous Clear and Preset and Gate Enable
ODDR	Primitive: Dedicated Dual Data Rate (DDR) Output Register

Shift Register LUT

Design Element	Description
SRL16	No: 16-Bit Shift Register Look-Up-Table (LUT)
SRL16_1	Primitive: 16-Bit Shift Register Look-Up-Table (LUT) with Negative-Edge Clock
SRL16E	Primitive: 16-Bit Shift Register Look-Up-Table (LUT) with Clock Enable
SRL16E_1	Primitive: 16-Bit Shift Register Look-Up-Table (LUT) with Negative-Edge Clock and Clock Enable
SRLC32E	Primitive: 32 Clock Cycle, Variable Length Shift Register Look-Up Table (LUT) with Clock Enable

Slice/CLB Primitives

Design Element	Description
BUFCF	Primitive: Fast Connect Buffer
CARRY4	Primitive: Fast Carry Logic with Look Ahead
CFGLUT5	Primitive: 5-input Dynamically Reconfigurable Look-Up Table (LUT)
LUT5	Primitive: 5-Input Lookup Table with General Output
LUT5_D	Primitive: 5-Input Lookup Table with General and Local Outputs
LUT5_L	Primitive: 5-Input Lookup Table with Local Output
LUT6	Primitive: 6-Input Lookup Table with General Output
LUT6_2	Primitive: Six-input, 2-output, Look-Up-Table
LUT6_D	Primitive: 6-Input Lookup Table with General and Local Outputs
LUT6_L	Primitive: 6-Input Lookup Table with Local Output
MUXF7	Primitive: 2-to-1 Look-Up Table Multiplexer with General Output
MUXF7_D	Primitive: 2-to-1 Look-Up Table Multiplexer with Dual Output
MUXF7_L	Primitive: 2-to-1 Look-Up Table Multiplexer with Local Output
MUXF8	Primitive: 2-to-1 Look-Up Table Multiplexer with General Output
MUXF8_D	Primitive: 2-to-1 Look-Up Table Multiplexer with Dual Output
MUXF8_L	Primitive: 2-to-1 Look-Up Table Multiplexer with Local Output

About Design Elements

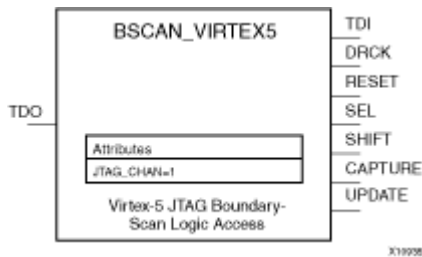
This section describes the design elements that can be used with this architecture. The design elements are organized alphabetically.

The following information is provided for each design element, where applicable:

- Name of element
- Brief description
- Schematic symbol (if any)
- Logic table (if any)
- Port descriptions
- Design Entry Method
- Available attributes (if any)
- Example instantiation code
- For more information

BSCAN_VIRTEX5

Primitive: Virtex-5 JTAG Boundary-Scan Logic Access



Introduction

This design element allows access to and from internal logic by the JTAG Boundary Scan logic controller. This allows for communication between the internal running design and the dedicated JTAG pins of the FPGA.

Note For specific information on boundary scan for an architecture, see *The Programmable Logic Data Sheets*

Port Descriptions

Port	Direction	Width	Function
TDI	Output	1	A mirror of the TDI input pin to the FPGA.
DRCK	Output	1	A mirror of the TCK input pin to the FPGA when the JTAG USER instruction is loaded and the JTAG TAP controller is in the SHIFT-DR state and CAPTURE-DR state.
RESET	Output	1	Active upon the loading of the USER instruction. It asserts High when the JTAG TAP controller is in the TEST-LOGIC-RESET state.
SEL	Output	1	Indicates when the USER instruction has been loaded into the JTAG Instruction Register. Becomes active in the UPDATE-IR state, and stays active until a new instruction is loaded.
SHIFT	Output	1	Active upon the loading of the USER instruction. It asserts High when the JTAG TAP controller is in the SHIFT-DR state.
CAPTURE	Output	1	Active upon the loading of the USER instruction. Asserts High when the JTAG TAP controller is in the CAPTURE-DR state.
UPDATE	Output	1	Active upon the loading of the USER instruction. It asserts High when the JTAG TAP controller is in the UPDATE-DR state.
TDO	Input	1	Active upon the loading of the USER instruction. External JTAG TDO pin reflects data input to the component's TDO pin.

Design Entry Method

Instantiation	Recommended
Inference	No
Coregen and wizards	No
Macro support	No

Available Attributes

Attribute	Type	Allowed Values	Default	Description
JTAG_CHAIN	Integer	1, 2, 3 or 4	1	Specifies the JTAG USER commands associated with this block.

VHDL Instantiation Template

Unless they already exist, copy the following two statements and paste them before the entity declaration.

```
Library UNISIM;
use UNISIM.vcomponents.all;

-- BSCAN_VIRTEX5: Boundary Scan primitive for connecting internal logic to
--                 JTAG interface.
--                 Virtex-5
-- Xilinx HDL Libraries Guide, version 10.1.2

BSCAN_VIRTEX5_inst : BSCAN_VIRTEX5
generic map (
JTAG_CHAIN => 1) -- Value for USER command. Possible values: (1,2,3 or 4)
port map (
CAPTURE => CAPTURE, -- CAPTURE output from TAP controller
DRCK => DRCK,       -- Data register output for USER functions
RESET => RESET,    -- Reset output from TAP controller
SEL => SEL,        -- USER active output
SHIFT => SHIFT,    -- SHIFT output from TAP controller
TDI => TDI,        -- TDI output from TAP controller
UPDATE => UPDATE,  -- UPDATE output from TAP controller
TDO => TDO         -- Data input for USER function
);

-- End of BSCAN_VIRTEX5_inst instantiation
```

Verilog Instantiation Template

```
// BSCAN_VIRTEX5: Boundary Scan primitive for connecting internal
//                 logic to JTAG interface.
//                 Virtex-5
// Xilinx HDL Libraries Guide, version 10.1.2

BSCAN_VIRTEX5 #(
.JTAG_CHAIN(1) // Value for USER command. Possible values: (1,2,3 or 4)
) BSCAN_VIRTEX5_inst (
.CAPTURE(CAPTURE), // CAPTURE output from TAP controller
.DRCK(DRCK),       // Data register output for USER function
.RESET(RESET),    // Reset output from TAP controller
.SEL(SEL),        // USER active output
.SHIFT(SHIFT),    // SHIFT output from TAP controller
.TDI(TDI),        // TDI output from TAP controller
.UPDATE(UPDATE),  // UPDATE output from TAP controller
.TDO(TDO)         // Data input for USER function
);

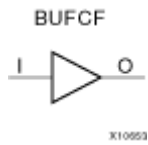
// End of BSCAN_VIRTEX5_inst instantiation
```

For More Information

- See the [Virtex-5 User Guide](#).
- See the [Virtex-5 Data Sheets](#).

BUFCF

Primitive: Fast Connect Buffer



Introduction

This design element is a single fast connect buffer used to connect the outputs of the LUTs and some dedicated logic directly to the input of another LUT. Using this buffer implies CLB packing. No more than four LUTs may be connected together as a group.

Design Entry Method

Instantiation	Recommended
Inference	No
Coregen and wizards	No
Macro support	No

VHDL Instantiation Template

Unless they already exist, copy the following two statements and paste them before the entity declaration.

```
Library UNISIM;
use UNISIM.vcomponents.all;

-- BUFCF: Fast connect buffer used to connect the outputs of the LUTs
--       and some dedicated logic directly to the input of another LUT.
--       For use with all FPGAs.
-- Xilinx HDL Libraries Guide, version 10.1.2

BUFCF_inst: BUFCF (
port map (
O => O, -- Connect to the output of a LUT
I => I -- Connect to the input of a LUT
);

-- End of BUFCF_inst instantiation
```

Verilog Instantiation Template

```
// BUFCF: Fast connect buffer used to connect the outputs of the LUTs
//       and some dedicated logic directly to the input of another LUT.
//       For use with all FPGAs.
// Xilinx HDL Libraries Guide, version 10.1.2

BUFCF BUFCF_inst (
.O(O), // Connect to the output of a LUT
.I(I) // Connect to the input of a LUT
);

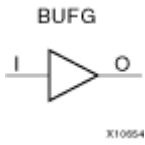
// End of BUFCF_inst instantiation
```

For More Information

- See the [Virtex-5 User Guide](#).
- See the [Virtex-5 Data Sheets](#).

BUFG

Primitive: Global Clock Buffer



Introduction

This design element is a high-fanout buffer that connects signals to the global routing resources for low skew distribution of the signal. BUFGs are typically used on clock nets as well other high fanout nets like sets/resets and clock enables.

Design Entry Method

Instantiation	Yes
Inference	Recommended
Coregen and wizards	No
Macro support	No

VHDL Instantiation Template

Unless they already exist, copy the following two statements and paste them before the entity declaration.

```
Library UNISIM;
use UNISIM.vcomponents.all;

-- BUFG: Global Clock Buffer (source by an internal signal)
-- All Devices
-- Xilinx HDL Libraries Guide, version 10.1.2

BUFG_inst : BUFG
port map (
O => O,      -- Clock buffer output
I => I       -- Clock buffer input
);

-- End of BUFG_inst instantiation
```

Verilog Instantiation Template

```
// BUFG: Global Clock Buffer (source by an internal signal)
// All FPGAs
// Xilinx HDL Libraries Guide, version 10.1.2

BUFG BUFG_inst (
.O(O),      // Clock buffer output
.I(I)      // Clock buffer input
);

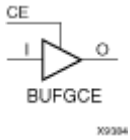
// End of BUFG_inst instantiation
```

For More Information

- See the [Virtex-5 User Guide](#).
- See the [Virtex-5 Data Sheets](#).

BUFGCE

Primitive: Global Clock Buffer with Clock Enable



Introduction

This design element is a global clock buffer with a single gated input. Its O output is "0" when clock enable (CE) is Low (inactive). When clock enable (CE) is High, the I input is transferred to the O output.

Logic Table

Inputs		Outputs
I	CE	O
X	0	0
I	1	I

Design Entry Method

Instantiation	Yes
Inference	Recommended
Coregen and wizards	No
Macro support	No

VHDL Instantiation Template

Unless they already exist, copy the following two statements and paste them before the entity declaration.

```

Library UNISIM;
use UNISIM.vcomponents.all;

-- BUFGCE: Global Clock Buffer with Clock Enable (active high)
--           Virtex-II/II-Pro/4/5, Spartan-3/3E/3A
-- Xilinx HDL Libraries Guide, version 10.1.2

BUFGCE_inst : BUFGCE
port map (
O => O, -- Clock buffer ouputput
CE => CE, -- Clock enable input
I => I -- Clock buffer input
);

-- End of BUFGCE_inst instantiation
    
```

Verilog Instantiation Template

```
// BUFGCE: Global Clock Buffer with Clock Enable (active high)
//           Virtex-II/II-Pro/4/5, Spartan-3/3E/3A
// Xilinx HDL Libraries Guide, version 10.1.2

BUFGCE BUFGCE_inst (
.O(O), // Clock buffer output
.CE(CE), // Clock enable input
.I(I) // Clock buffer input
);

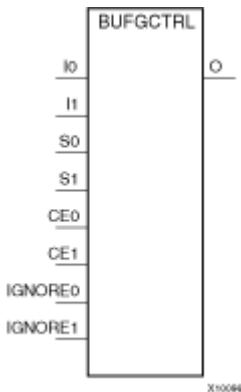
// End of BUFGCE_inst instantiation
```

For More Information

- See the [Virtex-5 User Guide](#).
- See the [Virtex-5 Data Sheets](#).

BUFGCTRL

Primitive: Global Clock MUX Buffer



Introduction

BUFGCTRL primitive is a Virtex-5 global clock buffer that is designed as a synchronous/asynchronous "glitch free" 2:1 multiplexer with two clock inputs. Unlike global clock buffers that are found in previous generation of FPGAs, these clock buffers are designed with more control pins to provide a wider range of functionality and more robust input switching. BUFGCTRL is not limited to clocking applications.

Port Descriptions

Port	Type	Width	Function
O	Output	1	Clock Output pin
I	Input	1	Clock Input: I0 – Clock Input Pin I1 – Clock Input Pin
CE0 – CE1	Input	1 (each)	Clock Enable Input. The CE pins represent the clock enable pin for each clock inputs and are used to select the clock inputs. A setup/hold time must be specified when you are using the CE pin to select inputs. Failure to meet this requirement could result in a clock glitch.
S0 – S1	Input	1 (each)	Clock Select Input. The S pins represent the clock select pin for each clock inputs. When using the S pin as input select, there is a setup/hold time requirement. Unlike CE pins, failure to meet this requirement won't result in a clock glitch. However, it can cause the output clock to appear one clock cycle later.
IGNORE0 – IGNORE1	Input	1 (each)	Clock Ignore Input. IGNORE pins are used whenever a designer wants to bypass the switching algorithm executed by the BUFGCTRL.

Design Entry Method

Instantiation	Yes
Inference	Recommended

Coregen and wizards	No
Macro support	No

Available Attributes

Attribute	Type	Allowed Values	Default	Description
INIT_OUT	Integer	0 or 1	0	Initializes the BUFGCTRL output to the specified value after configuration.
PRESELECT_I0	Boolean	FALSE, TRUE	FALSE	If TRUE, BUFGCTRL output uses I0 input after configuration.
PRESELECT_I1	Boolean	FALSE, TRUE	FALSE	If TRUE, BUFGCTRL output uses I1 input after configuration.

Note Both PRESELECT attributes might not be TRUE at the same time.

For More Information

- See the [Virtex-5 User Guide](#).
- See the [Virtex-5 Data Sheets](#).

BUFGMUX_CTRL

Primitive: 2-to-1 Global Clock MUX Buffer



Introduction

This design element is a global clock buffer with two clock inputs, one clock output, and a select line used to cleanly select between one of two clocks driving the global clocking resource. This component is based on BUFGCTRL, with some pins connected to logic High or Low. This element uses the S pin as the select pin for the 2-to-1 MUX. S can switch anytime without causing a glitch on the output clock of the buffer.

Port Descriptions

Port	Direction	Width	Function
O	Output	1 bit	Clock Output
I0	Input	1 bit	One of two Clock Inputs
I1	Input	1 bit	One of two Clock Inputs
S	Input	1 bit	Select for I0 (S=0) or I1 (S=1) Clock Output

Design Entry Method

Instantiation	Yes
Inference	Recommended
Coregen and wizards	No
Macro support	No

VHDL Instantiation Template

Unless they already exist, copy the following two statements and paste them before the entity declaration.

```

Library UNISIM;
use UNISIM.vcomponents.all;

-- BUFGMUX_CTRL: Global Clock Buffer 2-to-1 MUX
--               Virtex-5
-- Xilinx HDL Libraries Guide, version 10.1.2

BUFGMUX_CTRL_inst : BUFGMUX_CTRL
port map (
O => O,    -- Clock MUX output
I0 => I0,  -- Clock0 input
I1 => I1,  -- Clock1 input
S => S     -- Clock select input
);

-- End of BUFGMUX_CTRL_inst instantiation
    
```


Verilog Instantiation Template

```
// BUFGMUX_CTRL: Global Clock Buffer 2-to-1 MUX
//                               Virtex-5
// Xilinx HDL Libraries Guide, version 10.1.2

BUFGMUX_CTRL BUFGMUX_CTRL_inst (
.O(O), // Clock MUX output
.I0(I0), // Clock0 input
.I1(I1), // Clock1 input
.S(S) // Clock select input
);

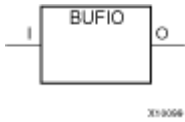
// End of BUFGMUX_CTRL_inst instantiation
```

For More Information

- See the [Virtex-5 User Guide](#).
- See the [Virtex-5 Data Sheets](#).

BUFIO

Primitive: Local Clock Buffer for I/O



Introduction

This design element is a clock buffer available in both the Virtex®-4 and Virtex®-5 architectures. It is simply a clock-in, clock-out buffer. It drives a dedicated clock net within the I/O column, independent of the global clock resources. Thus, these elements are ideally suited for source-synchronous data capture (forwarded/receiver clock distribution). They can only be driven by clock capable I/Os located in the same clock region. They drive the two adjacent I/O clock nets (for a total of up to three clock regions), as well as the regional clock buffers (BUFR). These elements cannot drive logic resources (CLB, block RAM, etc.) because the I/O clock network only reaches the I/O column.

Port Descriptions

Port	Type	Width	Function
O	Output	1	Clock output port
I	Input	1	Clock input port

Design Entry Method

Instantiation	Recommended
Inference	No
Coregen and wizards	No
Macro support	No

VHDL Instantiation Template

Unless they already exist, copy the following two statements and paste them before the entity declaration.

```

Library UNISIM;
use UNISIM.vcomponents.all;

-- BUFIO: Clock in, clock out buffer
--       Virtex-4/5
-- Xilinx HDL Libraries Guide, version 10.1.2

BUFIO_inst : BUFIO
port map (
O => O,    -- Clock buffer output
I => I     -- Clock buffer input
);

-- End of BUFIO_inst instantiation
    
```

Verilog Instantiation Template

```
// BUFIO: Local Clock Buffer
//      Virtex-4/5
// Xilinx HDL Libraries Guide, version 10.1.2

BUFIO BUFIO_inst (
.O(O),      // Clock buffer output
.I(I)      // Clock buffer input
);

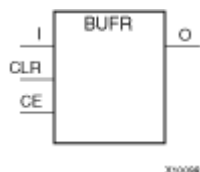
// End of BUFIO_inst instantiation
```

For More Information

- See the [Virtex-5 User Guide](#).
- See the [Virtex-5 Data Sheets](#).

BUFR

Primitive: Regional Clock Buffer for I/O and Logic Resources



Introduction

The BUFR is a clock buffer available in Virtex-5 devices. BUFRs drive clock signals to a dedicated clock net within a clock region, independent from the global clock tree. Each BUFR can drive the two regional clock nets in the region in which it is located, and the two clock nets in the adjacent clock regions (up to three clock regions). Unlike BUFIOs, BUFRs can drive the I/O logic and logic resources (CLB, block RAM, etc.) in the existing and adjacent clock regions. BUFRs can be driven by either the output from BUFIOs or local interconnect. In addition, BUFRs are capable of generating divided clock outputs with respect to the clock input. The divide value is an Integer between one and eight. BUFRs are ideal for source-synchronous applications requiring clock domain crossing or serial-to-parallel conversion. There are two BUFRs in a typical clock region (two regional clock networks). The center column does not have BUFRs.

Port Descriptions

Port	Type	Width	Function
O	Output	1	Clock output port. This port drives the clock tracks in the clock region of the BUFR and the two adjacent clock regions. This port drives FPGA fabric, and IOBs.
CE	Input	1	Clock enable port. When asserted Low, this port disables the output clock at port O. When asserted High, this port resets the counter used to produce the divided clock output.
CLR	Input	1	Counter reset for divided clock output. When asserted High, this port resets the counter used to produce the divided clock output.
I	Input	1	Clock input port. This port is the clock source port for BUFR. It can be driven by BUFIO output or local interconnect.

Design Entry Method

Instantiation	Yes
Inference	Recommended
Coregen and wizards	No
Macro support	No

Available Attributes

Attribute	Type	Allowed Values	Default	Description
BUFR_DIVIDE	String	"BYPASS", "1", "2", "3", "4", "5", "6", "7", "8"	"BYPASS"	Defines whether the output clock is a divided version of input clock.
SIM_DEVICE	String	"VIRTEX4", "VIRTEX5"	"VIRTEX4"	Device selection.

VHDL Instantiation Template

Unless they already exist, copy the following two statements and paste them before the entity declaration.

```
Library UNISIM;
use UNISIM.vcomponents.all;

-- BUFR: Regional (Local) Clock Buffer /w Enable, Clear and Division Capabilities
--      Virtex-4/5
-- Xilinx HDL Libraries Guide, version 10.1.2

BUFR_inst : BUFR
generic map (
BUFR_DIVIDE => "BYPASS",    -- "BYPASS", "1", "2", "3", "4", "5", "6", "7", "8"
SIM_DEVICE => "VIRTEX4")  -- Specify target device, "VIRTEX4" or "VIRTEX5"
port map (
O => O,      -- Clock buffer output
CE => CE,    -- Clock enable input
CLR => CLR,  -- Clock buffer reset input
I => I      -- Clock buffer input
);

-- End of BUFR_inst instantiation
```

Verilog Instantiation Template

```
// BUFR: Regional Clock Buffer /w Enable, Clear and Division Capabilities
//      Virtex-4/5
// Xilinx HDL Libraries Guide, version 10.1.2

BUFR #(
.BUFR_DIVIDE("BYPASS"), // "BYPASS", "1", "2", "3", "4", "5", "6", "7", "8"
.SIM_DEVICE("VIRTEX4") // Specify target device, "VIRTEX4" or "VIRTEX5"
) BUFR_inst (
.O(O),      // Clock buffer output
.CE(CE),    // Clock enable input
.CLR(CLR), // Clock buffer reset input
.I(I)      // Clock buffer input
);

// End of BUFR_inst instantiation
```

For More Information

- See the [Virtex-5 User Guide](#).
- See the [Virtex-5 Data Sheets](#).

CAPTURE_VIRTEX5

Primitive: Virtex-5 Readback Register Capture Control



Introduction

This element provides user control and synchronization over when and how the capture register (flip-flop and latch) information task is requested. The readback function is provided through dedicated configuration port instructions. However, without this element, the readback data is synchronized to the configuration clock. Only register (flip-flop and latch) states can be captured. Although LUT RAM, SRL, and block RAM states are readback, they cannot be captured.

An asserted high CAP signal indicates that the registers in the device are to be captured at the next Low-to-High clock transition. By default, data is captured after every trigger when transition on CLK while CAP is asserted. To limit the readback operation to a single data capture, add the ONESHOT=TRUE attribute to this element.

Port Descriptions

Port	Direction	Width	Function
CAP	Input	1	Readback capture trigger
CLK	Input	1	Readback capture clock

Design Entry Method

Instantiation	Recommended
Inference	No
Coregen and wizards	No
Macro support	No

Connect all inputs and outputs to the design in order to ensure proper operation.

Available Attributes

Attribute	Type	Allowed Values	Default	Description
ONESHOT	Boolean	TRUE, FALSE	TRUE	Specifies the procedure for performing single readback per CAP trigger.

VHDL Instantiation Template

Unless they already exist, copy the following two statements and paste them before the entity declaration.

```
Library UNISIM;
use UNISIM.vcomponents.all;

-- CAPTURE_VIRTEX5: Register State Capture for Bitstream Readback
--                               Virtex-5
-- Xilinx HDL Libraries Guide, version 10.1.2

CAPTURE_VIRTEX5_inst : CAPTURE_VIRTEX5
generic map (
  ONESHOT => TRUE) -- TRUE or FALSE
port map (
  CAP => CAP,      -- Capture input
  CLK => CLK       -- Clock input
);
-- End of CAPTURE_VIRTEX5_inst instantiation
```

Verilog Instantiation Template

```
// CAPTURE_VIRTEX5: Register State Capture for Bitstream Readback
//                               Virtex-5
// Xilinx HDL Libraries Guide, version 10.1.2

CAPTURE_VIRTEX5 #(
  .ONESHOT("TRUE") // "TRUE" or "FALSE"
) CAPTURE_VIRTEX5_inst (
  .CAP(CAP),        // Capture input
  .CLK(CLK)         // Clock input
);

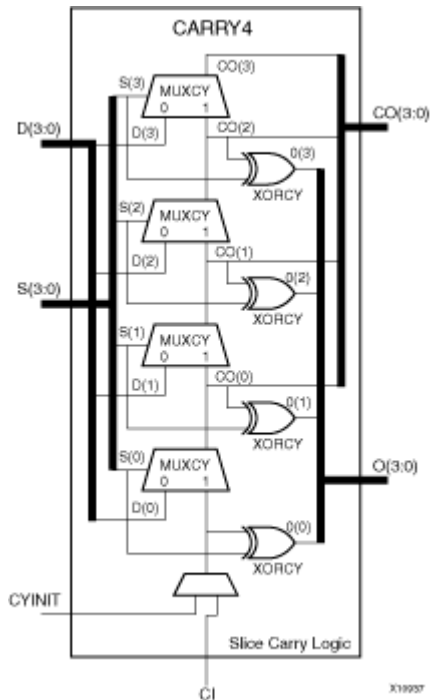
// End of CAPTURE_VIRTEX5_inst instantiation
```

For More Information

- See the [Virtex-5 User Guide](#).
- See the [Virtex-5 Data Sheets](#).

CARRY4

Primitive: Fast Carry Logic with Look Ahead



Introduction

This circuit design represents the fast carry logic for a slice. The carry chain consists of a series of four MUXes and four XORs that connect to the other logic (LUTs) in the slice via dedicated routes to form more complex functions. The fast carry logic is useful for building arithmetic functions like adders, counters, subtractors and add/subs, as well as such other logic functions as wide comparators, address decoders, and some logic gates (specifically, AND and OR).

Port Descriptions

Port	Direction	Width	Function
O	Output	4	Carry chain XOR general data out
CO	Output	4	Carry-out of each stage of the carry chain
DI	Input	4	Carry-MUX data input
S	Input	4	Carry-MUX select line
CYINIT	Input	1	Carry-in initialization input
CI	Input	1	Carry cascade input

Design Entry Method

Instantiation	Yes
Inference	Recommended
Coregen and wizards	No
Macro support	No

VHDL Instantiation Template

Unless they already exist, copy the following two statements and paste them before the entity declaration.

```
Library UNISIM;
use UNISIM.vcomponents.all;

-- CARRY4: Fast Carry Logic Component
--       Virtex-5
-- Xilinx HDL Libraries Guide, version 10.1.2

CARRY4_inst : CARRY4
port map (
CO => CO,           -- 4-bit carry out
O => O,             -- 4-bit carry chain XOR data out
CI => CI,           -- 1-bit carry cascade input
CYINIT => CYINIT,  -- 1-bit carry initialization
DI => DI,           -- 4-bit carry-MUX data in
S => S             -- 4-bit carry-MUX select input
);

-- End of CARRY4_inst instantiation
```

Verilog Instantiation Template

```
// CARRY4: Fast Carry Logic Component
//       Virtex-5
// Xilinx HDL Libraries Guide, version 10.1.2

CARRY4 CARRY4_inst (
.CO(CO),           // 4-bit carry out
.O(O),             // 4-bit carry chain XOR data out
.CI(CI),           // 1-bit carry cascade input
.CYINIT(CYINIT),  // 1-bit carry initialization
.DI(DI),           // 4-bit carry-MUX data in
.S(S)              // 4-bit carry-MUX select input
);

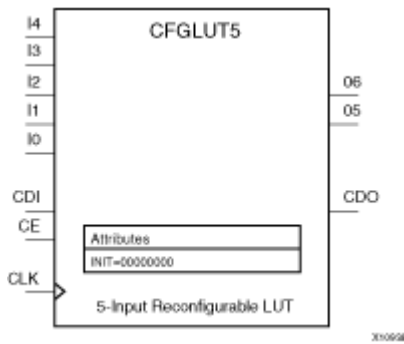
// End of CARRY4_inst instantiation
```

For More Information

- See the [Virtex-5 User Guide](#).
- See the [Virtex-5 Data Sheets](#).

CFGLUT5

Primitive: 5-input Dynamically Reconfigurable Look-Up Table (LUT)



Introduction

This element is a runtime, dynamically reconfigurable, 5-input Look-Up Table (LUT) that enables the changing of the logical function of the LUT during circuit operation. Using the CDI pin, a new INIT value can be synchronously shifted in serially to change the logical function. The O6 output pin produces the logical output function, based on the current INIT value loaded into the LUT and the currently selected I0-I4 input pins. Optionally, you can use the O5 output in combination with the O6 output to create two individual 4-input functions sharing the same inputs or a 5-input function and a 4-input function that uses a subset of the 5-input logic (see tables below). This component occupies one of the four 6-LUT components within a slice.

To cascade this element, connect the CDO pin from each element to the CDI input of the next element. This will allow a single serial chain of data (32-bits per LUT) to reconfigure multiple LUTs.

Port Descriptions

Port	Direction	Width	Function
O6	Output	1	5-LUT output
O5	Output	1	4-LUT output
I0, I1, I2, I3, I4	Input	1	LUT inputs
CDO	Output	1	Reconfiguration data cascaded output (optionally connect to the CDI input of a subsequent LUT)
CDI	Input	1	Reconfiguration data serial input
CLK	Input	1	Reconfiguration clock
CE	Input	1	Active high reconfiguration clock enable

Design Entry Method

Instantiation	Recommended
Inference	No
Coregen and wizards	No
Macro support	No

- Connect the CLK input to the clock source used to supply the reconfiguration data.

- Connect the CDI input to the source of the reconfiguration data.
- Connect the CE pin to the active high logic if you need to enable/disable LUT reconfiguration.
- Connect the I4-I0 pins to the source inputs to the logic equation. The logic function is output on O6 and O5.
- To cascade this element, connect the CDO pin from each element to the CDI input of the next element to allow a single serial chain of data to reconfigure multiple LUTs.

The INIT attribute should be placed on this design element to specify the initial logical function of the LUT. A new INIT can be loaded into the LUT any time during circuit operation by shifting in 32-bits per LUT in the chain, representing the new INIT value. Disregard the O6 and O5 output data until all 32-bits of new INIT data has been clocked into the LUT. The logical function of the LUT changes as new INIT data is shifted into it. Data should be shifted in MSB (INIT[31]) first and LSB (INIT[0]) last.

In order to understand the O6 and O5 logical value based on the current INIT, see the table below:

I4 I3 I2 I1 I0	O6 Value	O5 Value
1 1 1 1 1	INIT[31]	INIT[15]
1 1 1 1 0	INIT[30]	INIT[14]
...
1 0 0 0 1	INIT[17]	INIT[1]
1 0 0 0 0	INIT[16]	INIT[0]
0 1 1 1 1	INIT[15]	INIT[15]
0 1 1 1 0	INIT[14]	INIT[14]
...
0 0 0 0 1	INIT[1]	INIT[1]
0 0 0 0 0	INIT[0]	INIT[0]

For instance, the INIT value of FFFF8000 would represent the following logical equations:

- O6 = I4 or (I3 and I2 and I1 and I0)
- O5 = I3 and I2 and I1 and I0

To use these elements as two, 4-input LUTs with the same inputs but different functions, tie the I4 signal to a logical one. The INIT[31:16] values apply to the logical values of the O6 output and INIT [15:0] apply to the logical values of the O5 output.

Available Attributes

Attribute	Type	Allowed Values	Default	Description
INIT	Hexadecimal	Any 32-bit Value	All zeros	Specifies the initial logical expression of this element.

VHDL Instantiation Template

Unless they already exist, copy the following two statements and paste them before the entity declaration.

```
Library UNISIM;
use UNISIM.vcomponents.all;

-- CFGLUT5: Reconfigurable 5-input LUT
--      Virtex-5
-- Xilinx HDL Libraries Guide, version 10.1.2

CFGLUT5_inst : CFGLUT5
```

```

generic map (
INT => X"00000000")
port map (
CDO => CDO, -- Reconfiguration cascade output
O5 => O5, -- 4-LUT output
O6 => O6, -- 5-LUT output
CDI => CDI, -- Reconfiguration data input
CE => CE, -- Reconfiguration enable input
CLK => CLK, -- Clock input
I0 => I0, -- Logic data input
I1 => I1, -- Logic data input
I2 => I2, -- Logic data input
I3 => I3, -- Logic data input
I4 => I4 -- Logic data input
);

-- End of CFGLUT5_inst instantiation
    
```

Verilog Instantiation Template

```

// CFGLUT5: Reconfigurable 5-input LUT
//      Virtex-5
// Xilinx HDL Libraries Guide, version 10.1.2

CFGLUT5 #(
.INIT(32'h00000000) // Specify initial LUT contents
) CFGLUT5_inst (
.CDO(CDO), // Reconfiguration cascade output
.O5(O5), // 4-LUT output
.O6(O6), // 5-LUT output
.CDI(CDI), // Reconfiguration data input
.CE(CE), // Reconfiguration enable input
.CLK(CLK), // Clock input
.I0(I0), // Logic data input
.I1(I1), // Logic data input
.I2(I2), // Logic data input
.I3(I3), // Logic data input
.I4(I4) // Logic data input
);

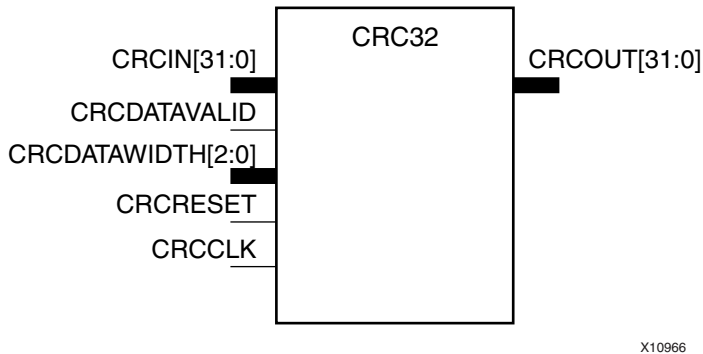
// End of CFGLUT5_inst instantiation
    
```

For More Information

- See the [Virtex-5 User Guide](#).
- See the [Virtex-5 Data Sheets](#).

CRC32

Primitive: Cyclic Redundancy Check Calculator for 32 bits



Introduction

This design element is computed for the contents of a frame and appended to the end of the frame before transmission or storage. Each CRC block computes a 32-bit CRC using the CRC-32 polynomial specified for PCI Express, Gigabit Ethernet, and other common protocols. The 32-bit CRC primitive, CRC32, can process 8, 16, 24 or 32-bit input data and generates a 32-bit CRC.

Port Descriptions

Port	Direction	Width	Function		
CRCIN[31:0]	Input	32	CRC input data, max datapath width is 4 bytes		
CRCDATAVALID	Input	1	Indicates valid data on CRCIN inputs.		
			1'b1: data valid		
			1'b0: data invalid		
			De-asserting this signal will cause the CRC value to be held for the number of cycles that the signal is de-asserted		
CRCDATAWIDTH[2:0]	Input	3	Indicates how many input data bytes are valid.		
			CRCDATAWIDTH[2:0]	Data Width	CRC Data Bus bits
			0	8-bit	CRCIN[31:24]
			1	16-bit	CRCIN[31:16]
			10	24-bit	CRCIN[31:8]
11	32-bit	CRCIN[31:0]			
CRCRESET	Input	1	Synchronous reset of CRC registers. When CRCRESET is asserted, the CRC block is initialized to the CRC_INIT value		
CRCCLK	Input	1	CRC Clock		
CRCOUT[31:0]	Output	32	32-bit CRC output. CRCOUT is the byte-reversed, bit inverted CRC value corresponding to the CRC calculation on valid bytes from the previous clock cycle and the previous CRC value. Note that input CRCDATAVALID must be set to "1".		

Design Entry Method

Instantiation	Yes
Inference	No
Coregen and wizards	Recommended
Macro support	No

Available Attributes

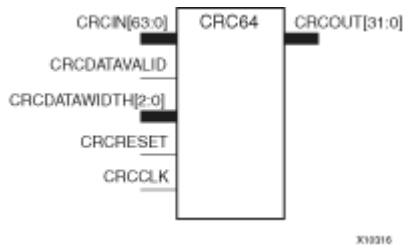
Attribute	Type	Allowed values	Default	Description
CRC_INIT[31:0]	Hexadecimal	Any 32-Bit Value	0xFFFFFFFF	Sets the initial value of CRC internal registers. When CRCRESET is applied, the CRC registers will be synchronously initialized to this value.

For More Information

- See the [Virtex-5 User Guide](#).
- See the [Virtex-5 Data Sheets](#).

CRC64

Primitive: Cyclic Redundancy Check Calculator for 64 bits



Introduction

This design element is computed for the contents of a frame, and appended to the end of the frame before transmission or storage. Each CRC block computes a 32-bit CRC using the CRC-32 polynomial specified for PCI Express, Gigabit Ethernet, and other common protocols. The 64-bit CRC primitive, CRC64, can process 8, 16, 24, 32, 40, 56 or 64-bit input data and generates a 32-bit CRC. Using the CRC64 primitive consumes both CRC hard blocks paired with a given transceiver tile.

Port Descriptions

Port	Direction	Width	Function		
CRCIN[63:0]	Input	64	CRC input data, max datapath width is 8 bytes		
CRCDATAVALID	Input	1	Indicates valid data on CRCIN inputs.		
			1'b1: data valid		
			1'b0: data invalid		
			De-asserting this signal will cause the CRC value to be held for the number of cycles that the signal is de-asserted		
CRCDATAWIDTH[2:0]	Input	3	Indicates how many input data bytes are valid.		
			CRCDATAWIDTH [2:0]	Data Width	CRC Data Bus bits
			0	8-bit	CRCIN[63:56]
			1	16-bit	CRCIN[63:48]
			10	24-bit	CRCIN[63:40]
			11	32-bit	CRCIN[63:32]
			100	40-bit	CRCIN[63:24]
			101	48-bit	CRCIN[63:16]
			110	56-bit	CRCIN[63:8]
111	64-bit	CRCIN[63:0]			
CRCRESET	Input	1	Synchronous reset of CRC registers. When CRCRESET is asserted, the CRC block is initialized to the CRC_INIT value.		
CRCCLK	Input	1	CRC Clock		
CRCOUT[31:0]	Output	32	32-bit CRC output. CRCOUT is the byte-reversed, bit inverted CRC value corresponding to the CRC calculation on valid bytes from the previous clock cycle and the previous CRC value. Note that CRCDATAVALIDA must be set to "1".		

Design Entry Method

Instantiation	Yes
Inference	No
Coregen and wizards	Recommended
Macro support	No

Available Attributes

Attribute	Type	Allowed values	Default	Description
CRC_INIT[31:0]	Hexadecimal	Any 32-Bit Value	0xFFFFFFFF	Sets the initial value of CRC internal registers. When CRCRESET is applied, the CRC registers will be synchronously initialized to this value.

For More Information

- See the [Virtex-5 User Guide](#).
- See the [Virtex-5 Data Sheets](#).

DCIRESET

Primitive: DCI State Machine Reset (After Configuration Has Been Completed)



Introduction

This design element is used to reset the DCI state machine after configuration has been completed.

Port Descriptions

Port	Direction	Width	Function
RST	Input	1	Invokes the DCI state machine to start from initial state
LOCKED	Output	1	Indicates that DCI state machine has achieved a stable state after reset

Design Entry Method

Instantiation	Recommended
Inference	No
Coregen and wizards	No
Macro support	No

VHDL Instantiation Template

Unless they already exist, copy the following two statements and paste them before the entity declaration.

```
Library UNISIM;
use UNISIM.vcomponents.all;

-- DCIRESET: DCI reset component
--           Virtex-4
-- Xilinx HDL Libraries Guide, version 10.1.2

DCIRESET_inst : DCIRESET
port map (
  LOCKED => LOCKED,      -- DCIRESET LOCK status output
  RST => RST              -- DCIRESET asynchronous reset input
);

-- End of DCIRESET_inst instantiation
```

Verilog Instantiation Template

```
// DCIRESET: Digital Controlled Impedance (DCI) Reset Component
//           Virtex-4
```

```
// Xilinx HDL Libraries Guide, version 10.1.2

DCIRESET DCIRESET_inst (
  .LOCKED(LOCKED), // 1-bit DCI LOCKED Output
  .RST(RST)        // 1-bit DCI Reset Input
);

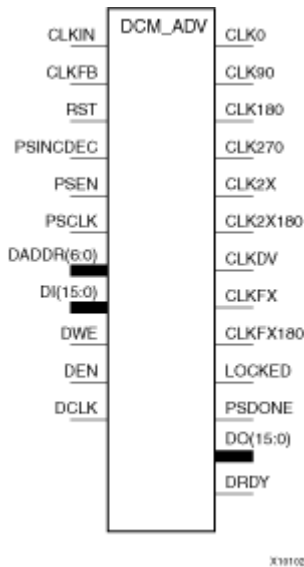
// End of DCIRESET_inst instantiation
```

For More Information

- See the [Virtex-5 User Guide](#).
- See the [Virtex-5 Data Sheets](#).

DCM_ADV

Primitive: Advanced Digital Clock Manager Circuit



Introduction

This design element is a configurable/reconfigurable DLL with additional phase and frequency synthesis control capabilities. This component is commonly used for many FPGA applications in order to derive and control the various clocks needed within the system. If dynamic reconfiguration is not necessary, use either the DCM_BASE or DCM_PS components.

Port Descriptions

Port	Direction	Width	Function
Clock Outputs/Inputs			
CLK0	Output	1	The CLK0 output clock provides a clock with the same frequency as the DCM's effective CLKIN frequency. By default, the effective CLKIN frequency is equal to the CLKIN frequency, except when the CLKIN_DIVIDE_BY_2 attribute is set to TRUE. When CLKFB is connected, CLK0 is phase aligned to CLKIN.
CLK90	Output	1	The CLK90 output clock provides a clock with the same frequency as the DCM's CLK0, only phase-shifted by 90°.
CLK180	Output	1	The CLK180 output clock provides a clock with the same frequency as the DCM's CLK0, only phase-shifted by 180°.
CLK270	Output	1	The CLK270 output clock provides a clock with the same frequency as the DCM's CLK0, only phase-shifted by 270°.
CLK2X	Output	1	The CLK2X output clock provides a clock that is phase aligned to CLK0, with twice the CLK0 frequency, and with an automatic 50/50 duty-cycle correction. Until the DCM is locked, the CLK2X output appears as a 1x version of the input clock with a 25/75 duty cycle. This behavior allows the DCM to lock on the correct edge with respect to the source clock.
CLK2X180	Output	1	The CLK2X180 output clock provides a clock with the same frequency as the DCM's CLK2X, only phase-shifted by 180°.

Port	Direction	Width	Function
CLKDV	Output	1	The frequency divide (CLKDV) output clock provides a clock that is phase aligned to CLK0 with a frequency that is a fraction of the effective CLKIN frequency. The fraction is determined by the CLKDV_DIVIDE attribute. By default, the effective CLKIN frequency is equal to the CLKIN frequency, except when the CLKIN_DIVIDE_BY_2 attribute is set to TRUE.
CLKFX	Output	1	The frequency (CLKFX) output clock provides a clock with the following frequency definition: $\text{CLKFX Frequency} = (M/D) \times (\text{Effective CLKIN Frequency}).$ In this equation, M is the multiplier (numerator), with a value defined by the CLKFX_MULTIPLY attribute. D is the divisor (denominator), with a value defined by the CLKFX_DIVIDE attribute. Specifications for M and D, as well as input and output frequency ranges for the frequency synthesizer, are provided in the Data Sheet for this architecture. The rising edge of CLKFX output is phase aligned to the rising edges of CLK0, CLK2X, and CLKDV when the feedback path (CLKFB) is used. When M and D do not have a common factor, the alignment occurs only once every D cycles of CLK0. By default, the effective CLKIN frequency is equal to the CLKIN frequency, except when the CLKIN_DIVIDE_BY_2 attribute is set to TRUE.
CLKFX180	Output	1	The CLKFX180 output clock provides a clock with the same frequency as the DCM's CLKFX only phase-shifted by 180°.
CLKIN	Input	1	The source clock (CLKIN) input pin provides the source clock to the DCM. The CLKIN frequency must fall in the ranges specified in the Data Sheet for this architecture. The clock input signal comes from one of the following buffers: 1. IBUFG - Global Clock Input Buffer. The DCM compensates for the clock input path when an IBUFG, on the same edge (top or bottom) of the device, such as the DCM, is used. 2. BUFG/BUFGCTRL - Internal Global Clock Buffer. Any BUFGCTRL can drive any DCM in the Virtex-5 device using the dedicated global routing. A BUFGCTRL can drive the DCM CLKIN pin when used to connect two DCM in series. 3. IBUF - Input Buffer. When IBUF drives CLKIN input, the PAD to DCM input skew is not compensated and increased jitter can occur. This configuration is generally not recommended.
CLKFB	Input	1	The feedback clock (CLKFB) input pin provides a reference or feedback signal to the DCM to delay-compensate the clock outputs and align it with the clock input. To provide the necessary feedback to the DCM, connect only the CLK0 output to the CLKFB input via a BUFG component in the case of internal feedback or an OBUF / IBUFG to the case of external feedback. Set the CLK_FEEDBACK attribute to 1X. When the CLKFB pin is connected, CLK0, CLKDV, and CLKFX are phase aligned to CLKIN. When the CLKFB pin is not connected, set CLK_FEEDBACK to NONE and only the CLKFX and CLKFX180 outputs are valid, however, not phase aligned to CLKIN.
Status Outputs / Control Inputs			
LOCKED	Output	1	Synchronous output from the PLL that provides you with an indication that the PLL has achieved phase alignment and is ready for operation.
PSDONE	Output	1	Dynamic CLKIN select input. When high, '1' CLKIN1 is selected and while low, '0' CLKIN2 is selected. If dual clock selection is not necessary, connect this input to a logic 1.

Port	Direction	Width	Function
RST	Input	1	The reset (RST) input pin resets the DCM circuitry. The RST signal is an active High asynchronous reset. Asserting the RST signal asynchronously forces all DCM outputs Low (the LOCKED signal, all status signals, and all output clocks within four source clock cycles). Because the reset is asynchronous, the last cycle of the clocks can exhibit an unintended short pulse, severely distorted duty-cycle, and no longer phase adjust with respect to one another while deasserting. The RST pin must be used when reconfiguring the device or changing the input frequency. Deasserting the RST signal synchronously starts the locking process at the next CLKIN cycle. To ensure a proper DCM reset and locking process, the RST signal must be deasserted after the CLKIN signal has been present and stable for at least three clock cycles. In all designs, the DCM must be held in reset until the clock is stable. During configuration, the DCM is automatically held in reset until GSR is released. If the clock is stable when GSR is released.
PSCLK	Input	1	The phase-shift clock (PSCLK) input pin provides the source clock for the DCM phase shift. The phase-shift clock signal can be driven by any clock source (external or internal). The frequency range of PSCLK is defined by PSCLK_FREQ_LF/HF (see the Data Sheet for this architecture). This input must be tied to ground when the CLKOUT_PHASE_SHIFT attribute is set to NONE or FIXED.
PSINCDEC	Input	1	The PSINCDEC input signal is synchronous with PSCLK. The PSINCDEC input signal is used to increment or decrement the phase-shift factor when CLKOUT_PHASE_SHIFT is set to one of the variable modes. As a result, the output clock is phase shifted. the PSINCDEC signal is asserted High for increment, or deasserted Low for decrement. This input must be tied to ground when the CLKOUT_PHASE_SHIFT attribute is set to NONE or FIXED.
PSEN	Input	1	The PSEN input signal is synchronous with PSCLK. A variable phase-shift operation is initiated by the PSEN input signal when CLKOUT_PHASE_SHIFT is set to a variable mode. It must be activated for one period of PSCLK. After PSEN is initiated, the phase change is effective for up to 100 CLKIN pulse cycles, plus three PSCLK cycles, and is indicated by a High pulse on PSDONE. There are no sporadic changes or glitches on any output during the phase transition. From the time PSEN is enabled until PSDONE is flagged, the DCM output clock moves bit-by-bit from its original phase shift to the target phase shift. The phase-shift is complete when PSDONE is flagged. PSEN must be tied to ground when the CLKOUT_PHASE_SHIFT attribute is set to NONE or FIXED.
Dynamic Reconfiguration / DCM Status			
For more information on Dynamic Configuration, please see the Configuration User Guide.			
DO	Output	16	The DO output bus provides DCM status when not using the dynamic reconfiguration feature, and a data output when using the dynamic reconfiguration. When showing DCM status, the following mapping applies: DO[0] - Phase-shift overflow DO[1] CLKIN stopped DO[2] - CLKFX stopped DO[3] - CLKFB stopped DO[15:4] - Not assigned
DRDY	Output	1	The DRDY output pin provides ready status for the DCM's dynamic reconfiguration feature
DI	Input	16	The DI input bus provides reconfiguration data for dynamic reconfiguration. When not used, all bits must be assigned zeros.
DADDR	Input	7	The DADDR input bus provides a reconfiguration address for dynamic reconfiguration. When not used, all bits must be assigned zeros.

Port	Direction	Width	Function
DWE	Input	1	The DWE input pin provides the write enable control signal to write the DI data into the DADDR address. When not used, it must be tied Low.
DEN	Input	1	The DEN input pin provides the enable control signal to access the dynamic reconfiguration feature. To reflect the DCM status signals on the DO output bus, when not used, it should be tied to High because if DEN is tied Low, DO always outputs a Low signal.
DCLK	Input	1	The DCLK input pin provides the source clock for the DCM's dynamic reconfiguration circuit. The frequency of DCLK can be asynchronous (in phase and frequency) to CLKIN. The dynamic reconfiguration clock signal is driven by any clock source. The frequency range of DCLK is described in the Data Sheet for this architecture. When dynamic reconfiguration is not used, this input must be tied to ground.

Design Entry Method

Instantiation	Yes
Inference	No
Coregen and wizards	Recommended
Macro support	No

Available Attributes

Attribute	Type	Allowed Values	Default	Description
CLK_FEEDBACK	String	"1X", "2X", or "NONE"	"1X"	Specifies the clock feedback of the allowed value.
CLKDV_DIVIDE	Float	1.5, 2.0, 2.5, 3.0, 3.5, 4.0, 4.5, 5.0, 5.5, 6.0, 6.5, 7.0, 7.5, 8.0, 9.0, 10.0, 11.0, 12.0, 13.0, 14.0, 15.0 or 16.0	2.0	Specifies the extent to which the CLKDLL, CLKDLLE, CLKDLLHF, or DCM clock divider (CLKDV output) is to be frequency divided.
CLKFX_DIVIDE	Integer	1 to 32	1	Specifies the frequency divider value for the CLKFX output.
CLKFX_MULTIPLY	Integer	2 to 32	4	Specifies the frequency multiplier value for the CLKFX output.
CLKIN_DIVIDE_BY_2	Boolean	FALSE, TRUE	FALSE	Allows for the input clock frequency to be divided in half when such a reduction is necessary to meet the DCM input clock frequency requirements.
CLKIN_PERIOD	Float	1.25 to 1000.00	0.0	Specifies period of input clock in ns from 1.25 to 1000.00.

Attribute	Type	Allowed Values	Default	Description
CLKOUT_PHASE_SHIFT	String	"NONE", "FIXED", "VARIABLE_POSITIVE", "VARIABLE_CENTER" or "DIRECT"	"NONE"	Specifies the phase shift mode of allowed value.
DCM_PERFORMANCE_MODE	String	"MAX_SPEED" or "MAX_RANGE"	"MAX_SPEED"	Allows selection between maximum frequency and minimum jitter for low frequency and maximum phase shift range.
DESKEW_ADJUST	String	"SOURCE_SYNCHRONOUS", "SYSTEM_SYNCHRONOUS" or "0" to "15"	"SYSTEM_SYNCHRONOUS"	Affects the amount of delay in the feedback path, and should be used for source-synchronous interfaces.
DFS_FREQUENCY_MODE	String	"LOW" or "HIGH"	"LOW"	Specifies the frequency mode of the frequency synthesizer.
DLL_FREQUENCY_MODE	String	"LOW" or "HIGH"	"LOW"	Specifies the DLL's frequency mode.
DUTY_CYCLE_CORRECTION	Boolean	TRUE, FALSE	TRUE	Corrects the duty cycle of the CLK0, CLK90, CLK180, and CLK270 outputs.
FACTORY_JF	Hexa-decimal	Any 16-Bit value.	F0F0	The FACTORY_JF attribute affects the DCMs jitter filter characteristic. The default value should not be modified unless otherwise instructed by Xilinx.
PHASE_SHIFT	Integer	-255 to 1023	0	Specifies the phase shift numerator. The range depends on CLKOUT_PHASE_SHIFT.
SIM_DEVICE	String	"VIRTEX4" or "VIRTEX5"	"VIRTEX5"	Device selection.
STARTUP_WAIT	Boolean	FALSE, TRUE	FALSE	When TRUE, the configuration startup sequence waits in the specified cycle until the DCM locks.

VHDL Instantiation Template

Unless they already exist, copy the following two statements and paste them before the entity declaration.

```

Library UNISIM;
use UNISIM.vcomponents.all;

-- DCM_ADV: Digital Clock Manager Circuit
--      Virtex-4/5
-- Xilinx HDL Libraries Guide, version 10.1.2

DCM_ADV_inst : DCM_ADV
generic map (
CLKDV_DIVIDE => 2.0, -- Divide by: 1.5,2.0,2.5,3.0,3.5,4.0,4.5,5.0,5.5,6.0,6.5
--      7.0,7.5,8.0,9.0,10.0,11.0,12.0,13.0,14.0,15.0 or 16.0
CLKFX_DIVIDE => 1, -- Can be any integer from 1 to 32

```

Libraries Guide

```

CLKFX_MULTIPLY => 4, -- Can be any integer from 2 to 32
CLKIN_DIVIDE_BY_2 => FALSE, -- TRUE/FALSE to enable CLKIN divide by two feature
CLKIN_PERIOD => 10.0, -- Specify period of input clock in ns from 1.25 to 1000.00
CLKOUT_PHASE_SHIFT => "NONE", -- Specify phase shift mode of NONE, FIXED,
-- VARIABLE_POSITIVE, VARIABLE_CENTER or DIRECT
CLK_FEEDBACK => "1X", -- Specify clock feedback of NONE or 1X
DCM_AUTOCALIBRATION => TRUE, -- DCM calibration circuitry TRUE/FALSE
DCM_PERFORMANCE_MODE => "MAX_SPEED", -- Can be MAX_SPEED or MAX_RANGE
DESKEW_ADJUST => "SYSTEM_SYNCHRONOUS", -- SOURCE_SYNCHRONOUS, SYSTEM_SYNCHRONOUS or
-- an integer from 0 to 15
DFS_FREQUENCY_MODE => "LOW", -- HIGH or LOW frequency mode for frequency synthesis
DLL_FREQUENCY_MODE => "LOW", -- LOW, HIGH, or HIGH_SER frequency mode for DLL
DUTY_CYCLE_CORRECTION => TRUE, -- Duty cycle correction, TRUE or FALSE
FACTORY_JF => X"F0F0", -- FACTORY JF Values Suggested to be set to X"F0F0"
PHASE_SHIFT => 0, -- Amount of fixed phase shift from -255 to 1023
SIM_DEVICE => "VIRTEX4", -- Set target device, "VIRTEX4" or "VIRTEX5"
STARTUP_WAIT => FALSE) -- Delay configuration DONE until DCM LOCK, TRUE/FALSE
port map (
CLK0 => CLK0, -- 0 degree DCM CLK output
CLK180 => CLK180, -- 180 degree DCM CLK output
CLK270 => CLK270, -- 270 degree DCM CLK output
CLK2X => CLK2X, -- 2X DCM CLK output
CLK2X180 => CLK2X180, -- 2X, 180 degree DCM CLK out
CLK90 => CLK90, -- 90 degree DCM CLK output
CLKDV => CLKDV, -- Divided DCM CLK out (CLKDV_DIVIDE)
CLKFX => CLKFX, -- DCM CLK synthesis out (M/D)
CLKFX180 => CLKFX180, -- 180 degree CLK synthesis out
DO => DO, -- 16-bit data output for Dynamic Reconfiguration Port (DRP)
DRDY => DRDY, -- Ready output signal from the DRP
LOCKED => LOCKED, -- DCM LOCK status output
PSDONE => PSDONE, -- Dynamic phase adjust done output
CLKFB => CLKFB, -- DCM clock feedback
CLKIN => CLKIN, -- Clock input (from IBUFG, BUFG or DCM)
DADDR => DADDR, -- 7-bit address for the DRP
DCLK => DCLK, -- Clock for the DRP
DEN => DEN, -- Enable input for the DRP
DI => DI, -- 16-bit data input for the DRP
DWE => DWE, -- Active high allows for writing configuration memory
PSCLK => PSCLK, -- Dynamic phase adjust clock input
PSEN => PSEN, -- Dynamic phase adjust enable input
PSINDEC => PSINDEC, -- Dynamic phase adjust increment/decrement
RST => RST -- DCM asynchronous reset input
);

-- End of DCM_ADV_inst instantiation
    
```

Verilog Instantiation Template

```

// DCM_ADV: Digital Clock Manager Circuit
// Virtex-4/5
// Xilinx HDL Libraries Guide, version 10.1.2

DCM_ADV #(
.CLKDV_DIVIDE(2.0), // Divide by: 1.5,2.0,2.5,3.0,3.5,4.0,4.5,5.0,5.5,6.0,6.5
// 7.0,7.5,8.0,9.0,10.0,11.0,12.0,13.0,14.0,15.0 or 16.0
.CLKFX_DIVIDE(1), // Can be any integer from 1 to 32
.CLKFX_MULTIPLY(4), // Can be any integer from 2 to 32
.CLKIN_DIVIDE_BY_2("FALSE"), // TRUE/FALSE to enable CLKIN divide by two feature
.CLKIN_PERIOD(10.0), // Specify period of input clock in ns from 1.25 to 1000.00
.CLKOUT_PHASE_SHIFT("NONE"), // Specify phase shift mode of NONE, FIXED,
// VARIABLE_POSITIVE, VARIABLE_CENTER or DIRECT
.CLK_FEEDBACK("1X"), // Specify clock feedback of NONE, 1X or 2X
.DCM_AUTOCALIBRATION("TRUE"), // DCM calibration circuitry "TRUE"/"FALSE"
.DCM_PERFORMANCE_MODE("MAX_SPEED"), // Can be MAX_SPEED or MAX_RANGE
.DESKEW_ADJUST("SYSTEM_SYNCHRONOUS"), // SOURCE_SYNCHRONOUS, SYSTEM_SYNCHRONOUS or
// an integer from 0 to 15
.DFS_FREQUENCY_MODE("LOW"), // HIGH or LOW frequency mode for frequency synthesis
.DLL_FREQUENCY_MODE("LOW"), // LOW, HIGH, or HIGH_SER frequency mode for DLL
.DUTY_CYCLE_CORRECTION("TRUE"), // Duty cycle correction, "TRUE"/"FALSE"
    
```



```
.FACTORY_JF(16'hf0f0), // FACTORY JF value suggested to be set to 16'hf0f0
.PHASE_SHIFT(0), // Amount of fixed phase shift from -255 to 1023
.SIM_DEVICE("VIRTEX4"), // Set target device, "VIRTEX4" or "VIRTEX5"
.STARTUP_WAIT("FALSE") // Delay configuration DONE until DCM LOCK, "TRUE"/"FALSE"
) DCM_ADV_inst (
.CLK0(CLK0), // 0 degree DCM CLK output
.CLK180(CLK180), // 180 degree DCM CLK output
.CLK270(CLK270), // 270 degree DCM CLK output
.CLK2X(CLK2X), // 2X DCM CLK output
.CLK2X180(CLK2X180), // 2X, 180 degree DCM CLK out
.CLK90(CLK90), // 90 degree DCM CLK output
.CLKDV(CLKDV), // Divided DCM CLK out (CLKDV_DIVIDE)
.CLKFX(CLKFX), // DCM CLK synthesis out (M/D)
.CLKFX180(CLKFX180), // 180 degree CLK synthesis out
.DO(DO), // 16-bit data output for Dynamic Reconfiguration Port (DRP)
.DRDY(DRDY), // Ready output signal from the DRP
.LOCKED(LOCKED), // DCM LOCK status output
.PSDONE(PSDONE), // Dynamic phase adjust done output
.CLKFB(CLKFB), // DCM clock feedback
.CLKIN(CLKIN), // Clock input (from IBUFG, BUFG or DCM)
.DADDR(DADDR), // 7-bit address for the DRP
.DCLK(DCLK), // Clock for the DRP
.DEN(DEN), // Enable input for the DRP
.DI(DI), // 16-bit data input for the DRP
.DWE(DWE), // Active high allows for writing configuration memory
.PSCLK(PSCLK), // Dynamic phase adjust clock input
.PSEN(PSEN), // Dynamic phase adjust enable input
.PSINCDEC(PSINCDEC), // Dynamic phase adjust increment/decrement
.RST(RST) // DCM asynchronous reset input
);

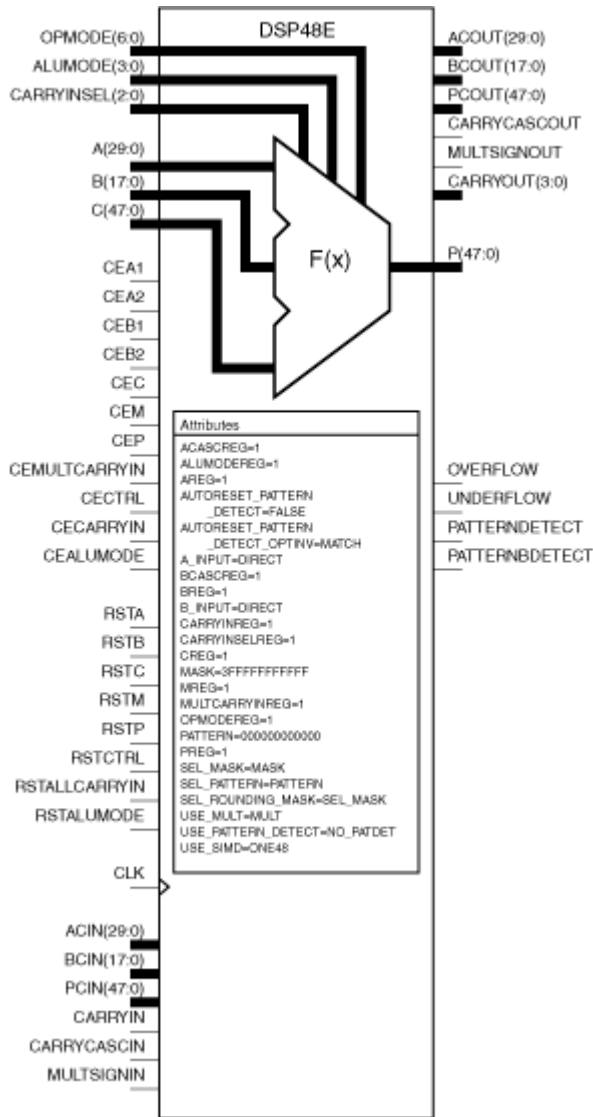
// End of DCM_ADV_inst instantiation
```

For More Information

- See the [Virtex-5 User Guide](#).
- See the [Virtex-5 Data Sheets](#).

DSP48E

Primitive: 25x18 Two's Complement Multiplier with Integrated 48-Bit, 3-Input Adder/Subtractor/Accumulator or 2-Input Logic Unit



X10036

Introduction

This design element is a versatile, scalable, hard IP block within Virtex®-5 that allows for the creation of compact, high-speed, arithmetic-intensive operations, such as those seen for many DSP algorithms. Some of the functions capable within the block include multiplication, addition, subtraction, accumulation, shifting, logical operations, and pattern detection.

Port Descriptions

Port	Direction	Width	Function
Data Ports			
A	Input	30	25-bit data input to multiplier or 30-bit MSB Data input to Adder/Logic Unit (LU).
B	Input	18	18-bit data input to multiplier or 18-bit LSB Data input to Adder/Logic Unit.
C	Input	48	48-bit data input to adder/Logic Unit and Pattern Detector.
CARRYIN	Input	1	External carry input to the adder/Logic Unit.
P	Output	48	Primary data output.
CARRYOUT	Output	4	Carry out signal for arithmetic operations (addition, subtraction, etc.). If USE_SIMD="FOUR12", CARRYOUT[3:0] represents the carryout of each 12 bit field of the Accumulate/Adder/Logic Unit. If USE_SIMD="TWO24", CARRYOUT[3] and CARRYOUT[1] represents the carryout of each 24-bit field of the Accumulator/Adder. If USE_SIMD="ONE48", CARRYOUT[3] is the only valid carry out from the Accumulate/Adder/Logic Unit.
Control Inputs/Status Bits			
CLK	Input	1	DSP48E clock input.
OPMODE	Input	7	Control input to select the arithmetic operation of the DSP48E in conjunction with ALUMODE.
ALUMODE	Input	4	Control input to select Logic Unit functions including addition and subtraction.
CARRYINSEL	Input	3	Selects carry in source to the DSP48E.
OVERFLOW	Output	1	Active High output detects overflow in addition/accumulate if pattern detector is used and PREG = 1.
UNDERFLOW	Output	1	Active High output detects underflow in addition/accumulate if pattern detector is used and PREG = 1.
PATTERN DETECT	Output	1	Active High pattern detection. Detects match of P and the selected PATTERN gated by the MASK. Result arrives on the same cycle as P.
PATTERN BDETECT	Output	1	Active High pattern detection. Detects match of P and the bar of the selected PATTERN gated by the MASK. Result arrives on the same cycle as P.
Reset/Clock Enable Inputs			
RSTA	Input	1	Active High, synchronous reset for the A port registers (AREG=1 or 2). Tie to logic zero if not used.
RSTB	Input	1	Active High, synchronous reset for the B port registers (BREG=1 or 2). Tie to logic zero if not used.
RSTC	Input	1	Active High, synchronous reset for the C port registers (CREG=1). Tie to logic zero if not used.
RSTM	Input	1	Active High, synchronous reset for the multiplier registers (MREG=1). Tie to logic zero if not used.

Port	Direction	Width	Function
RSTP	Input	1	Active High, synchronous reset for the P, UNDERFLOW, OVERFLOW, PATTERNDETECT and PATTERNBDETECT and CARRYOUT output registers (PREG=1). Tie to logic zero if not used.
RSTCTRL	Input	1	Active High, synchronous reset for the OPMODE and CARRYINSEL registers (OPMODEREG=1 and CARRYINSELREG=1). Tie to logic zero if not used.
RSTALLCARRYIN	Input	1	Active High, synchronous reset for all carry-in registers (CARRYINREG=1) or MULTCARRYINREG=1. Tie to logic zero if not used.
RSTALUMODE	Input	1	Active High, synchronous reset for the ALUMODE registers (ALUMODEREG=1). Tie to logic zero if not used.
CEA1	Input	1	Active High, clock enable for the A port registers (AREG=2). Tie to logic one if not used and AREG=2. Tie to logic zero if AREG=0 or 1. When two registers are used, this is the first sequentially.
CEA2	Input	1	Active High, clock enable for the A port registers. Tie to logic one if not used and AREG=1 or 2. Tie to logic zero if AREG=0. When two registers are used, this is the second sequentially.
CEB1	Input	1	Active High, clock enable for the B port registers (BREG=2). Tie to logic one if not used and BREG=2. Tie to logic zero if BREG=0 or 1. When two registers are used, this is the first sequentially.
CEB2	Input	1	Active High, clock enable for the B port registers. Tie to logic one if not used and BREG=1 or 2. Tie to logic zero if BREG=0. When two registers are used, this is the second sequentially.
CEC	Input	1	Active High, clock enable for the C port registers (CREG=1). Tie to logic one if not used.
CEM	Input	1	Active High, clock enable for the multiplier registers (MREG=1). Tie to logic one if not used.
CEP	Input	1	Active High, clock enable for the output port registers (PREG=1). Tie to logic one if not used.
CECTRL	Input	1	Active High, clock enable for the OPMODE and Carry-in Select registers (CTRLREG=1). Tie to logic one if not used.
CECARRYIN	Input	1	Active High, clock enable for the Carry-in registers (CARRYINREG=1). Tie to logic one if not used.
CEMULTCARRY- IN	Input	1	Clock enable for internal multiply symmetric rounding carry register. (MULTCARRYINREG=1).
CEALUMODE	Input	1	Clock enable for the ALUMODE input registers (ALUMODEREG=1).
Cascade Ports			
ACIN	Input	30	Cascade input for Port A. If used, connect to ACOUT of upstream cascaded DSP48E. If not used, tie port to all zeros.
BCIN	Input	18	Cascade input for Port B. If used, connect to BCOUT of upstream cascaded DSP48E. If not used, tie port to all zeros.
PCIN	Input	48	Cascade input for Port P. If used, connect to PCOUT of upstream cascaded DSP48E. If not used, tie port to all zeros.
CARRYCASCIN	Input	1	Cascaded Carryout[2] from previous DSP48E.
MULTSIGNIN	Input	1	Communicates multiplier sign output of a cascaded DSP48E slice for the purpose of sign extending the adder/accumulator output when greater than a 48-bit output is necessary. Should only be connected to the MULTSIGNOUT output pin.

Port	Direction	Width	Function
ACOUT	Output	30	Cascade output for Port A. If used, connect to ACIN of downstream cascaded DSP48E. If not used, leave unconnected.
BCOUT	Output	18	Cascade output for Port B. If used, connect to BCIN of downstream cascaded DSP48E. If not used, leave unconnected.
PCOUT	Output	48	Cascade output for Port P. If used, connect to PCIN of downstream cascaded DSP48E. If not used, leave unconnected.
CARRYCASCOUT	Output	1	Cascaded Carryout[3] to next DSP48.
MULTSIGNOUT	Output	1	Communicates multiplier sign output to a cascaded DSP48E element for the purpose of sign extending the adder/accumulator output. Should only be connected to the MULTISIGNIN input pin.

Design Entry Method

Instantiation	Yes
Inference	Recommended
Coregen and wizards	No
Macro support	No

Available Attributes

Attribute	Type	Allowed Values	Default	Description
ACASCREG	Integer	0, 1 or 2	1	In conjunction with AREG, selects number of A input registers on the ACIN cascade input. Must be equal to or one less than AREG value.
AREG	Integer	0, 1 or 2	1	Selects number of pipeline stages for the A input to the DSP48E.
ALUMODEREG	Integer	0 or 1	1	Selects whether to register the ALUMODE input pins or not.
AUTORESET_PATTERN_DETECT	Boolean	TRUE or FALSE	FALSE	Automatically reset DSP48E P Register (accumulated value or Counter Value) on next clock cycle if pattern detect event as determined by AUTORESET_PATTERN_DETECT_OPTINV has occurred on this clock cycle.
AUTORESET_PATTERN_DETECT_OPTINV	String	"MATCH", "NOT_MATCH"	"MATCH"	Determines if AUTORESET_PATTERN_DETECT should cause auto reset of P Register on the next cycle A) if pattern is matched or B) whenever pattern is not matched on the current cycle but was matched on the last clock cycle.
A_INPUT	String	"DIRECT" or "CASCADE"	"DIRECT"	Selects between A ("DIRECT") and ACIN ("CASCADE") inputs.
BCASCREG	Integer	0, 1 or 2	1	In conjunction with BREG, selects number of B input registers on BCIN cascade input.
BREG	Integer	0, 1 or 2	1	Selects number of pipeline stages for the B input to the DSP48E.

Attribute	Type	Allowed Values	Default	Description
B_INPUT	String	"DIRECT" or "CASCADE"	"DIRECT"	Selects between B ("DIRECT") and BCIN ("CASCADE") inputs.
CARRYINREG	Integer	0 or 1	1	Selects whether to register the CARRYIN input to the DSP48E.
CARRYINSELREG	Integer	0 or 1	1	Selects whether to register the CARRYINSEL input to the DSP48E.
CREG	Integer	0 or 1	1	Selects whether to register the C input to the DSP48E.
MASK	Hexadecimal	Any 48-Bit Value	3FFF	Mask to be used for pattern detector.
MREG	Integer	0 or 1	1	Selects whether to register the multiplier stage of the DSP48E.
MULTCARRYINREG	Integer	0 or 1	1	Selects number of Internal Carry registers (used for Multiply Symmetric Rounding only).
OPMODEREG	Integer	0 or 1	1	Selects whether to register the OPMODE inputs to the DSP48E.
PATTERN	Hexadecimal	Any 48-Bit Value	All zeros	Pattern to be used for pattern detector.
PREG	Integer	0 or 1	1	Selects whether to register the P output of the DSP48E.
SEL_MASK	String	"MASK", "C"	"MASK"	Selects whether to use the static MASK or the C input for the mask of the pattern detector.
SEL_PATTERN	String	"PATTERN", "C"	"PATTERN"	Selects whether to use the static PATTERN or the C input for the pattern of the pattern detector.
SEL_ROUNDING_MASK	String	"SEL_MASK", "MODE1", "MODE2"	"SEL_MASK"	Selects special mask to be used for symmetric and convergent rounding uses of the pattern detector. If set to "MODE1" or "MODE2" SEL_MASK attribute is overridden. These are used for convergent rounding.
SIM_MODE	String	"SAFE" or "FAST"	"SAFE"	This is a simulation only attribute. It will direct the simulation model to run in performance-oriented mode when set to "FAST." Please see the Synthesis and Simulation Design Guide for more information.
USE_MULT	String	"MULT", "MULT_S", "NONE"	"MULT_S"	Selects usage of the Multiplier. Set to "NONE" to save power when using only the Adder/Logic Unit. Set to "MULT" if MREG is set to 0 and set to "MULT_S" if MREG is set to 1.

Attribute	Type	Allowed Values	Default	Description
USE_SIMD	String	"ONE48", "TWO24", "FOUR12"	"ONE48"	Selects usage of the SIMD (Single Instruction Multiple Data) Adder/Logic Unit. Select between one 48-bit Logic Unit, two 24-bit Logic Unit, or four 12-bit Logic Unit. Note that all four 12 bit Logic Unit share the same Instruction (i.e. all can subtract on the same cycle or add on the same cycle). This does allow the 48 bit adder to be broken up into smaller adders for less computationally intensive applications. SIMD only has an effect on arithmetic operation (add, accumulate, subtract, etc.) and has no effect on logical operations.
USE_PATTERN_DETECT	String	"PAT_DET", "NO_PAT_DET"	"NO_PAT_DET"	Enables pattern detection. Only affects simulation model and speed files.

VHDL Instantiation Template

Unless they already exist, copy the following two statements and paste them before the entity declaration.

```

Library UNISIM;
use UNISIM.vcomponents.all;

-- DSP48E: DSP Function Block
--      Virtex-5
-- Xilinx HDL Libraries Guide, version 10.1.2

DSP48E_inst : DSP48E
generic map (
ACASCREG => 1,      -- Number of pipeline registers between
-- A/ACIN input and ACOUT output, 0, 1, or 2
ALUMODEREG => 1,   -- Number of pipeline registers on ALUMODE input, 0 or 1
AREG => 1,        -- Number of pipeline registers on the A input, 0, 1 or 2
AUTORESET_PATTERN_DETECT => FALSE, -- Auto-reset upon pattern detect, TRUE or FALSE
AUTORESET_PATTERN_DETECT_OPTINV => "MATCH", -- Reset if "MATCH" or "NOMATCH"
A_INPUT => "DIRECT", -- Selects A input used, "DIRECT" (A port) or "CASCADE" (ACIN port)
BCASCREG => 1,     -- Number of pipeline registers between B/BCIN input and BCOUT output, 0, 1, or 2
BREG => 1,        -- Number of pipeline registers on the B input, 0, 1 or 2
B_INPUT => "DIRECT", -- Selects B input used, "DIRECT" (B port) or "CASCADE" (BCIN port)
CARRYINREG => 1,  -- Number of pipeline registers for the CARRYIN input, 0 or 1
CARRYINSELREG => 1, -- Number of pipeline registers for the CARRYINSEL input, 0 or 1
CREG => 1,       -- Number of pipeline registers on the C input, 0 or 1
MASK => X"3FFFFFFFFF", -- 48-bit Mask value for pattern detect
MREG => 1,      -- Number of multiplier pipeline registers, 0 or 1
MULTCARRYINREG => 1, -- Number of pipeline registers for multiplier carry in bit, 0 or 1
OPMODEREG => 1, -- Number of pipeline registers on OPMODE input, 0 or 1
PATTERN => X"000000000000", -- 48-bit Pattern match for pattern detect
PREG => 1,     -- Number of pipeline registers on the P output, 0 or 1
SIM_MODE => "SAFE", -- Simulation: "SAFE" vs "FAST", see "Synthesis and Simulation
-- Design Guide" for details
SEL_MASK => "MASK", -- Select mask value between the "MASK" value or the value on the "C" port
SEL_PATTERN => "PATTERN", -- Select pattern value between the "PATTERN" value or the value on the "C" port
SEL_ROUNDING_MASK => "SEL_MASK", -- "SEL_MASK", "MODE1", "MODE2"
USE_MULT => "MULT_S", -- Select multiplier usage, "MULT" (MREG => 0),
-- "MULT_S" (MREG => 1), "NONE" (not using multiplier)
USE_PATTERN_DETECT => "NO_PATDET", -- Enable pattern detect, "PATDET", "NO_PATDET"
USE_SIMD => "ONE48") -- SIMD selection, "ONE48", "TWO24", "FOUR12"
port map (
ACOUT => ACOUT, -- 30-bit A port cascade output
BCOUT => BCOUT, -- 18-bit B port cascade output
CARRYASCOUT => CARRYASCOUT, -- 1-bit cascade carry output
CARRYOUT => CARRYOUT, -- 4-bit carry output
MULTSIGNOUT => MULTSIGNOUT, -- 1-bit multiplier sign cascade output
OVERFLOW => OVERFLOW, -- 1-bit overflow in add/acc output

```

```

P => P,          -- 48-bit output
PATTERNBDETECT => PATTERNBDETECT, -- 1-bit active high pattern bar detect output
PATTERNDETECT => PATTERNDETECT, -- 1-bit active high pattern detect output
PCOUT => PCOUT, -- 48-bit cascade output
UNDERFLOW => UNDERFLOW, -- 1-bit active high underflow in add/acc output
A => A,          -- 30-bit A data input
ACIN => ACIN,    -- 30-bit A cascade data input
ALUMODE => ALUMODE, -- 4-bit ALU control input
B => B,          -- 18-bit B data input
BCIN => BCIN,   -- 18-bit B cascade input
C => C,          -- 48-bit C data input
CARRYCASCIN => CARRYCASCIN, -- 1-bit cascade carry input
CARRYIN => CARRYIN, -- 1-bit carry input signal
CARRYINSEL => CARRYINSEL, -- 3-bit carry select input
CEA1 => CEA1,    -- 1-bit active high clock enable input for 1st stage A registers
CEA2 => CEA2,    -- 1-bit active high clock enable input for 2nd stage A registers
CEALUMODE => CEALUMODE, -- 1-bit active high clock enable input for ALUMODE registers
CEB1 => CEB1,    -- 1-bit active high clock enable input for 1st stage B registers
CEB2 => CEB2,    -- 1-bit active high clock enable input for 2nd stage B registers
CEC => CEC,      -- 1-bit active high clock enable input for C registers
CECARRYIN => CECARRYIN, -- 1-bit active high clock enable input for CARRYIN register
CECTRL => CECTRL, -- 1-bit active high clock enable input for OPMODE and carry registers
CEM => CEM,      -- 1-bit active high clock enable input for multiplier registers
CEMULTCARRYIN => CEMULTCARRYIN, -- 1-bit active high clock enable for multiplier carry in register
CEP => CEP,      -- 1-bit active high clock enable input for P registers
CLK => CLK,      -- Clock input
MULTSIGNIN => MULTSIGNIN, -- 1-bit multiplier sign input
OPMODE => OPMODE, -- 7-bit operation mode input
PCIN => PCIN,    -- 48-bit P cascade input
RSTA => RSTA,    -- 1-bit reset input for A pipeline registers
RSTALLCARRYIN => RSTALLCARRYIN, -- 1-bit reset input for carry pipeline registers
RSTALUMODE => RSTALUMODE, -- 1-bit reset input for ALUMODE pipeline registers
RSTB => RSTB,    -- 1-bit reset input for B pipeline registers
RSTC => RSTC,    -- 1-bit reset input for C pipeline registers
RSTCTRL => RSTCTRL, -- 1-bit reset input for OPMODE pipeline registers
RSTM => RSTM,    -- 1-bit reset input for multiplier registers
RSTP => RSTP,    -- 1-bit reset input for P pipeline registers
);

-- End of DSP48E_inst instantiation
    
```

Verilog Instantiation Template

```

// DSP48E: DSP Function Block
//      Virtex-5
// Xilinx HDL Libraries Guide, version 10.1.2

DSP48E #(
    .SIM_MODE("SAFE"), // Simulation: "SAFE" vs. "FAST", see "Synthesis and Simulation Design Guide" for details
    .ACASCREG(1),      // Number of pipeline registers between A/ACIN input and ACOUT output, 0, 1, or 2
    .ALUMODEREG(1),   // Number of pipeline registers on ALUMODE input, 0 or 1
    .AREG(1),         // Number of pipeline registers on the A input, 0, 1 or 2
    .AUTORESET_PATTERN_DETECT("FALSE"), // Auto-reset upon pattern detect, "TRUE" or "FALSE"
    .AUTORESET_PATTERN_DETECT_OPTINV("MATCH"), // Reset if "MATCH" or "NOMATCH"
    .A_INPUT("DIRECT"), // Selects A input used, "DIRECT" (A port) or "CASCADE" (ACIN port)
    .BCASCREG(1),     // Number of pipeline registers between B/BCIN input and BCOUT output, 0, 1, or 2
    .BREG(1),        // Number of pipeline registers on the B input, 0, 1 or 2
    .B_INPUT("DIRECT"), // Selects B input used, "DIRECT" (B port) or "CASCADE" (BCIN port)
    .CARRYINREG(1),  // Number of pipeline registers for the CARRYIN input, 0 or 1
    .CARRYINSELREG(1), // Number of pipeline registers for the CARRYINSEL input, 0 or 1
    .CREG(1),        // Number of pipeline registers on the C input, 0 or 1
    .MASK(48'h3fffffff), // 48-bit Mask value for pattern detect
    .MREG(1),        // Number of multiplier pipeline registers, 0 or 1
    .MULTCARRYINREG(1), // Number of pipeline registers for multiplier carry in bit, 0 or 1
    .OPMODEREG(1),   // Number of pipeline registers on OPMODE input, 0 or 1
    .PATTERN(48'h000000000000), // 48-bit Pattern match for pattern detect
    .PREG(1),        // Number of pipeline registers on the P output, 0 or 1
    .SEL_MASK("MASK"), // Select mask value between the "MASK" value or the value on the "C" port
    .SEL_PATTERN("PATTERN"), // Select pattern value between the "PATTERN" value or the value on the "C" port
    
```



```
.SEL_ROUNDING_MASK("SEL_MASK"), // "SEL_MASK", "MODE1", "MODE2"
.USE_MULT("MULT_S"), // Select multiplier usage, "MULT" (MREG => 0), "MULT_S" (MREG => 1), "NONE" (no multiplier)
.USE_PATTERN_DETECT("NO_PATDET"), // Enable pattern detect, "PATDET", "NO_PATDET"
.USE_SIMD("ONE48") // SIMD selection, "ONE48", "TWO24", "FOUR12"
) DSP48E_inst (
.ACOUT(ACOUT), // 30-bit A port cascade output
.BCOUT(BCOUT), // 18-bit B port cascade output
.CARRYCASCOUT(CARRYCASCOUT), // 1-bit cascade carry output
.CARRYOUT(CARRYOUT), // 4-bit carry output
.MULTSIGNOUT(MULTSIGNOUT), // 1-bit multiplier sign cascade output
.OVERFLOW(OVERFLOW), // 1-bit overflow in add/acc output
.P(P), // 48-bit output
.PATTERNBDETECT(PATTERNBDETECT), // 1-bit active high pattern bar detect output
.PATTERNDETECT(PATTERNDETECT), // 1-bit active high pattern detect output
.PCOUT(PCOUT), // 48-bit cascade output
.UNDERFLOW(UNDERFLOW), // 1-bit active high underflow in add/acc output
.A(A), // 30-bit A data input
.ACIN(ACIN), // 30-bit A cascade data input
.ALUMODE(ALUMODE), // 4-bit ALU control input
.B(B), // 18-bit B data input
.BCIN(BCIN), // 18-bit B cascade input
.C(C), // 48-bit C data input
.CARRYCASCIN(CARRYCASCIN), // 1-bit cascade carry input
.CARRYIN(CARRYIN), // 1-bit carry input signal
.CARRYINSEL(CARRYINSEL), // 3-bit carry select input
.CEA1(CEA1), // 1-bit active high clock enable input for 1st stage A registers
.CEA2(CEA2), // 1-bit active high clock enable input for 2nd stage A registers
.CEALUMODE(CEALUMODE), // 1-bit active high clock enable input for ALUMODE registers
.CEB1(CEB1), // 1-bit active high clock enable input for 1st stage B registers
.CEB2(CEB2), // 1-bit active high clock enable input for 2nd stage B registers
.CEC(CEC), // 1-bit active high clock enable input for C registers
.CECARRYIN(CECARRYIN), // 1-bit active high clock enable input for CARRYIN register
.CECTRL(CECTRL), // 1-bit active high clock enable input for OPMODE and carry registers
.CEM(CEM), // 1-bit active high clock enable input for multiplier registers
.CEMULTCARRYIN(CEMULTCARRYIN), // 1-bit active high clock enable for multiplier carry in register
.CEP(CEP), // 1-bit active high clock enable input for P registers
.CLK(CLK), // Clock input
.MULTSIGNIN(MULTSIGNIN), // 1-bit multiplier sign input
.OPMODE(OPMODE), // 7-bit operation mode input
.PCIN(PCIN), // 48-bit P cascade input
.RSTA(RSTA), // 1-bit reset input for A pipeline registers
.RSTALLCARRYIN(RSTALLCARRYIN), // 1-bit reset input for carry pipeline registers
.RSTALUMODE(RSTALUMODE), // 1-bit reset input for ALUMODE pipeline registers
.RSTB(RSTB), // 1-bit reset input for B pipeline registers
.RSTC(RSTC), // 1-bit reset input for C pipeline registers
.RSTCTRL(RSTCTRL), // 1-bit reset input for OPMODE pipeline registers
.RSTM(RSTM), // 1-bit reset input for multiplier registers
.RSTP(RSTP) // 1-bit reset input for P pipeline registers
);

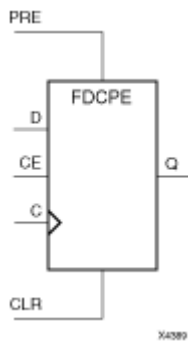
// End of DSP48E_inst instantiation
```

For More Information

- See the [Virtex-5 User Guide](#).
- See the [Virtex-5 Data Sheets](#).

FDCPE

Primitive: D Flip-Flop with Clock Enable and Asynchronous Preset and Clear



Introduction

This design element is a single D-type flip-flop with data (D), clock enable (CE), asynchronous preset (PRE), and asynchronous clear (CLR) inputs. The asynchronous active high PRE sets the Q output High; that active high CLR resets the output Low and has precedence over the PRE input. Data on the D input is loaded into the flip-flop when PRE and CLR are Low and CE is High on the Low-to-High clock (C) transition. When CE is Low, the clock transitions are ignored and the previous value is retained. The FDCPE is generally implemented as a slice or IOB register within the device.

For FPGA devices, upon power-up, the initial value of this component is specified by the INIT attribute. If a subsequent GSR (Global Set/Reset) is asserted, the flop is asynchronously set to the INIT value.

Note While this device supports the use of asynchronous set and reset, it is not generally recommended to be used for in most cases. Use of asynchronous signals pose timing issues within the design that are difficult to detect and control and also have an adverse affect on logic optimization causing a larger design that can consume more power than if a synchronous set or reset is used.

Logic Table

Inputs					Outputs
CLR	PRE	CE	D	C	Q
1	X	X	X	X	0
0	1	X	X	X	1
0	0	0	X	X	No Change
0	0	1	D	↑	D

Port Descriptions

Port	Direction	Width	Function
Q	Output	1	Data output
C	Input	1	Clock input
CE	Input	1	Clock enable input
CLR	Input	1	Asynchronous clear input

Port	Direction	Width	Function
D	Input	1	Data input
PRE	Input	1	Asynchronous set input

Design Entry Method

Instantiation	Yes
Inference	Recommended
Coregen and wizards	No
Macro support	No

Available Attributes

Attribute	Type	Allowed Values	Default	Description
INIT	Binary	0,1	0	Sets the initial value of Q output after configuration and on GSR.

VHDL Instantiation Template

Unless they already exist, copy the following two statements and paste them before the entity declaration.

```
Library UNISIM;
use UNISIM.vcomponents.all;

-- FDCPE: Single Data Rate D Flip-Flop with Asynchronous Clear, Set and
--       Clock Enable (posedge clk). All families.
-- Xilinx HDL Libraries Guide, version 10.1.2

FDCPE_inst : FDCPE
generic map (
INIT => '0') -- Initial value of register ('0' or '1')
port map (
Q => Q,      -- Data output
C => C,      -- Clock input
CE => CE,    -- Clock enable input
CLR => CLR,  -- Asynchronous clear input
D => D,      -- Data input
PRE => PRE   -- Asynchronous set input
);

-- End of FDCPE_inst instantiation
```

Verilog Instantiation Template

```
// FDCPE: Single Data Rate D Flip-Flop with Asynchronous Clear, Set and
//      Clock Enable (posedge clk).
//      All families.
// Xilinx HDL Libraries Guide, version 10.1.2

FDCPE #(
  .INIT(1'b0) // Initial value of register (1'b0 or 1'b1)
) FDCPE_inst (
  .Q(Q),      // Data output
  .C(C),      // Clock input
  .CE(CE),    // Clock enable input
  .CLR(CLR),  // Asynchronous clear input
  .D(D),      // Data input
  .PRE(PRE)   // Asynchronous set input
);

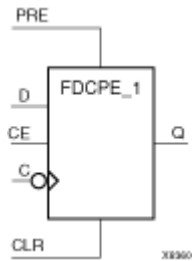
// End of FDCPE_inst instantiation
```

For More Information

- See the [Virtex-5 User Guide](#).
- See the [Virtex-5 Data Sheets](#).

FDCPE_1

Primitive: D Flip-Flop with Negative-Edge Clock, Clock Enable, and Asynchronous Preset and Clear



Introduction

FDCPE_1 is a single D-type flip-flop with data (D), clock enable (CE), asynchronous preset (PRE), and asynchronous clear (CLR) inputs and data output (Q). The asynchronous PRE, when High, sets the (Q) output High; CLR, when High, resets the output Low. Data on the (D) input is loaded into the flip-flop when PRE and CLR are Low and CE is High on the High-to-Low clock (C) transition. When CE is Low, the clock transitions are ignored.

This flip-flop is asynchronously cleared, outputs Low, when power is applied. For FPGA devices, power-on conditions are simulated when global set/reset (GSR) is active. GSR defaults to active-High but can be inverted by adding an inverter in front of the GSR input of the appropriate `STARTUP_architecture` symbol.

Logic Table

Inputs					Outputs
CLR	PRE	CE	D	C	Q
1	X	X	X	X	0
0	1	X	X	X	1
0	0	0	X	X	No Change
0	0	1	D	↓	D

Port Descriptions

Port	Direction	Width	Function
Q	Output	1	Data output
C	Input	1	Clock input
CE	Input	1	Clock enable input
CLR	Input	1	Asynchronous clear input
D	Input	1	Data input
PRE	Input	1	Asynchronous set input

Design Entry Method

Instantiation	Yes
Inference	Recommended
Coregen and wizards	No
Macro support	No

Available Attributes

Attribute	Type	Allowed Values	Default	Description
INIT	Binary	0,1	0	Sets the initial value of Q output after configuration.

VHDL Instantiation Template

Unless they already exist, copy the following two statements and paste them before the entity declaration.

```

Library UNISIM;
use UNISIM.vcomponents.all;

-- FDCPE_1: Single Data Rate D Flip-Flop with Asynchronous Clear, Set and
--          Clock Enable (negedge clock). All families.
-- Xilinx HDL Libraries Guide, version 10.1.2

FDCPE_1_inst : FDCPE_1
generic map (
INIT => '0') -- Initial value of register ('0' or '1')
port map (
Q => Q,      -- Data output
C => C,      -- Clock input
CE => CE,    -- Clock enable input
CLR => CLR,  -- Asynchronous clear input
D => D,      -- Data input
PRE => PRE   -- Asynchronous set input
);

-- End of FDCPE_1_inst instantiation
    
```

Verilog Instantiation Template

```

// FDCPE_1: Single Data Rate D Flip-Flop with Asynchronous Clear, Set and
//          Clock Enable (negedge clock).
//          All families.
// Xilinx HDL Libraries Guide, version 10.1.2

FDCPE_1 #(
.INIT(1'b0) // Initial value of register (1'b0 or 1'b1)
) FDCPE_1_inst (
.Q(Q),      // Data output
.C(C),      // Clock input
.CE(CE),    // Clock enable input
.CLR(CLR),  // Asynchronous clear input
.D(D),      // Data input
.PRE(PRE)   // Asynchronous set input
);

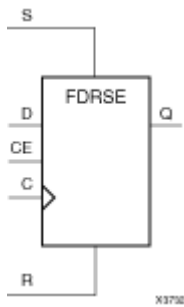
// End of FDCPE_1_inst instantiation
    
```

For More Information

- See the [Virtex-5 User Guide](#).
- See the [Virtex-5 Data Sheets](#).

FDRSE

Primitive: D Flip-Flop with Synchronous Reset and Set and Clock Enable



Introduction

FDRSE is a single D-type flip-flop with synchronous reset (R), synchronous set (S), clock enable (CE) inputs. The reset (R) input, when High, overrides all other inputs and resets the Q output Low during the Low-to-High clock transition. (Reset has precedence over Set.) When the set (S) input is High and R is Low, the flip-flop is set, output High, during the Low-to-High clock (C) transition. Data on the D input is loaded into the flip-flop when R and S are Low and CE is High during the Low-to-High clock transition.

Upon power-up, the initial value of this component is specified by the INIT attribute. If a subsequent GSR (Global Set/Reset) is asserted, the flop is asynchronously set to the INIT value.

Logic Table

Inputs					Outputs
R	S	CE	D	C	Q
1	X	X	X	↑	0
0	1	X	X	↑	1
0	0	0	X	X	No Change
0	0	1	1	↑	1
0	0	1	0	↑	0

Design Entry Method

Instantiation	Yes
Inference	Recommended
Coregen and wizards	No
Macro support	No

Available Attributes

Attribute	Type	Allowed Values	Default	Description
INIT	Binary	0 or 1	0	Sets the initial value of Q output after configuration and on GSR.

VHDL Instantiation Template

Unless they already exist, copy the following two statements and paste them before the entity declaration.

```
Library UNISIM;
use UNISIM.vcomponents.all;

-- FDRSE: Single Data Rate D Flip-Flop with Synchronous Clear, Set and
--       Clock Enable (posedge clk). All families.
-- Xilinx HDL Libraries Guide, version 10.1.2

FDRSE_inst : FDRSE
generic map (
  INIT => '0') -- Initial value of register ('0' or '1')
port map (
  Q => Q,      -- Data output
  C => C,      -- Clock input
  CE => CE,    -- Clock enable input
  D => D,      -- Data input
  R => R,      -- Synchronous reset input
  S => S       -- Synchronous set input
);

-- End of FDRSE_inst instantiation
```

Verilog Instantiation Template

```
// FDRSE: Single Data Rate D Flip-Flop with Synchronous Clear, Set and
//       Clock Enable (posedge clk).
//       All families.
// Xilinx HDL Libraries Guide, version 10.1.2

FDRSE #(
  .INIT(1'b0) // Initial value of register (1'b0 or 1'b1)
) FDRSE_inst (
  .Q(Q),      // Data output
  .C(C),      // Clock input
  .CE(CE),    // Clock enable input
  .D(D),      // Data input
  .R(R),      // Synchronous reset input
  .S(S)       // Synchronous set input
);

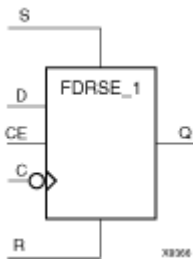
// End of FDRSE_inst instantiation
```

For More Information

- See the [Virtex-5 User Guide](#).
- See the [Virtex-5 Data Sheets](#).

FDRSE_1

Primitive: D Flip-Flop with Negative-Clock Edge, Synchronous Reset and Set, and Clock Enable



Introduction

FDRSE_1 is a single D-type flip-flop with synchronous reset (R), synchronous set (S), and clock enable (CE) inputs and data output (Q). The reset (R) input, when High, overrides all other inputs and resets the (Q) output Low during the High-to-Low clock transition. (Reset has precedence over Set.) When the set (S) input is High and R is Low, the flip-flop is set, output High, during the High-to-Low clock (C) transition. Data on the (D) input is loaded into the flip-flop when (R) and (S) are Low and (CE) is High during the High-to-Low clock transition.

This flip-flop is asynchronously cleared, outputs Low, when power is applied. For FPGA devices, power-on conditions are simulated when global set/reset (GSR) is active. GSR defaults to active-High but can be inverted by adding an inverter in front of the GSR input of the appropriate *STARTUP_architecture* symbol.

Logic Table

Inputs					Outputs
R	S	CE	D	C	Q
1	X	X	X	↓	0
0	1	X	X	↓	1
0	0	0	X	X	No Change
0	0	1	D	↓	D

Design Entry Method

Instantiation	Yes
Inference	Recommended
Coregen and wizards	No
Macro support	No

Available Attributes

Attribute	Type	Allowed Values	Default	Description
INIT	Binary	0 or 1	0	Sets the initial value of Q output after configuration and on GSR.

VHDL Instantiation Template

Unless they already exist, copy the following two statements and paste them before the entity declaration.

```
Library UNISIM;
use UNISIM.vcomponents.all;

-- FDRSE_1: Single Data Rate D Flip-Flop with Synchronous Clear, Set and
--          Clock Enable (negedge clock). All families.
-- Xilinx HDL Libraries Guide, version 10.1.2

FDRSE_1_inst : FDRSE_1
generic map (
  INIT => '0') -- Initial value of register ('0' or '1')
port map (
  Q => Q,      -- Data output
  C => C,      -- Clock input
  CE => CE,    -- Clock enable input
  D => D,      -- Data input
  R => R,      -- Synchronous reset input
  S => S       -- Synchronous set input
);

-- End of FDRSE_1_inst instantiation
```

Verilog Instantiation Template

```
// FDRSE_1: Single Data Rate D Flip-Flop with Synchronous Clear, Set and
//          Clock Enable (negedge clock).
//          All families.
// Xilinx HDL Libraries Guide, version 10.1.2

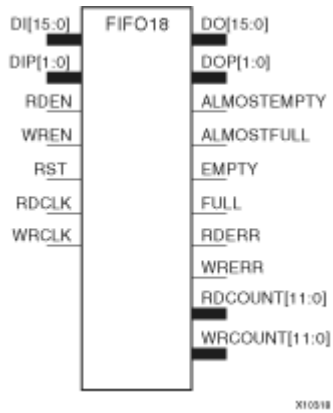
FDRSE_1 #(
  .INIT(1'b0) // Initial value of register (1'b0 or 1'b1)
) FDRSE_1_inst (
  .Q(Q),      // Data output
  .C(C),      // Clock input
  .CE(CE),    // Clock enable input
  .D(D),      // Data input
  .R(R),      // Synchronous reset input
  .S(S)       // Synchronous set input
);
// End of FDRSE_1_inst instantiation
```

For More Information

- See the [Virtex-5 User Guide](#).
- See the [Virtex-5 Data Sheets](#).

FIFO18

Primitive: 18KB FIFO (First In, First Out) Block RAM Memory



Introduction

Virtex®-5 devices contain several block RAM memories, each of which can be separately configured as a FIFO, an automatic error-correction RAM, or as a general-purpose 36KB or 18KB RAM/ROM memory. These Block RAM memories offer fast and flexible storage of large amounts of on-chip data. The FIFO18 uses the FIFO control logic and the 18KB Block RAM. This primitive can be used in a 4-bit wide by 4K deep, 9-bit wide by 2K deep, or an 18-bit wide by 1K deep configuration. The primitive can be configured in either synchronous or multirate (asynchronous) mode, with all associated FIFO flags and status signals.

When using the dual-clock mode with independent clocks, depending on the offset between read and write clock edges, the Empty, Almost Empty, Full and Almost Full flags can deassert one cycle later. Due to the asynchronous nature of the clocks the simulation model only reflects the deassertion latency cycles listed in the *User Guide*.

Note For a 36-bit wide by 512 deep FIFO, the FIFO18_36 component must be used. For deeper or wider configurations of the FIFO, the FIFO36 or FIFO36_72 can be used. If error-correction circuitry is desired, the FIFO36_72 must be used.

Port Descriptions

Port	Direction	Width	Function
DO	Output	4, 8, 16	FIFO data output bus.
DOP	Output	0, 1, 2	FIFO parity data output bus.
FULL	Output	1	Active high logic indicates that the FIFO is full.
ALMOSTFULL	Output	1	Programmable flag to indicate that the FIFO is almost full. The ALMOST_FULL_OFFSET attribute specifies the threshold where this flag is triggered relative to full/empty.
EMPTY	Output	1	Active high logic to indicate that the FIFO is currently empty.
ALMOSTEMPTY	Output	1	Programmable flag to indicate the FIFO is almost empty. ALMOST_EMPTY_OFFSET attribute specifies the threshold where this flag is triggered relative to full/empty.

Port	Direction	Width	Function
WRERR, RDERR	Output	1	WRERR indicates that a write occurred while the FIFO was full and RDERR indicates that a read occurred while the FIFO was empty
WRCOUNT, RDCOUNT	Output	12	FIFO write/read pointer.
DI	Input	4, 8, 16	FIFO data input bus.
DIP	Input	0, 1, 2	FIFO parity data input bus.
WREN	Input	1	Active high FIFO write enable.
RDEN	Input	1	Active high FIFO read enable.
RST	Input	1	Active high (FIFO logic) asynchronous reset (for multirate FIFO), synchronous reset (synchronous FIFO) for 3 CLK cycles.
WRCLK, RDCLK	Input	1	FIFO read and write clocks (positive edge triggered).

Design Entry Method

Instantiation	Yes
Inference	No
Coregen and wizards	No
Macro support	Recommended

When you want to instantiate this primitive configured in the 4-bit WIDTH mode, connect the DIP port to logic zeros and leave the DOP port unconnected. Connect DI[3:0] and DO[3:0] to the appropriate input and output signals and tie DI[15:4] to logic zeros and leave DO[15:4] unconnected.

When configuring in the 9-bit WIDTH mode, connect the DIP[0] port to the appropriate data input and the DIP[1] to a logic zero. Connect DOP[0] to the appropriate data out and leave DOP[1] unconnected. Connect DI[7:0] and DO[7:0] to the appropriate input and output signals and tie DI[15:8] to logic zeros and leave DO[15:8] unconnected.

When configuring in the 18-bit WIDTH mode, all DI, DIP, DO and DOP signals can be connected.

For any configuration, any unused DI or DIP inputs should be tied to a logic zero, and any unused DO or DOP pins should be left unconnected. When the FIFO is set to be synchronous (EN_SYN attribute is set to TRUE), the same clock source must be tied to WRCLK and RDCLK. When in asynchronous mode (EN_SYN is set to FALSE), unique clock signals can be used. Depending on the offset between read and write clock edges, the Empty, Almost Empty, Full and Almost Full flags can deassert one cycle later. Due to the asynchronous nature of the clocks the simulation model only reflects the deassertion latency cycles listed in the *User Guide*.

The FIFO must be RST after power up. The FULL, ALMOSTFULL, EMPTY and ALMOSTEMPTY output flags should be connected to the appropriate destination logic or left unconnected if not used. The WRERR, RDERR, WRCOUNT and RDCOUNT are optional outputs and can be left unconnected if not needed. Set all attributes to the FIFO to enable the desired behavior of the primitive by adjusting the generics (VHDL) or in-line defparams (Verilog) in the instantiation.

Available Attributes

Attribute	Type	Allowed Values	Default	Description
ALMOST_FULL_OFFSET	Hexadecimal	Any 12-Bit Value	All zeros	Specifies the amount of data contents in the RAM to trigger the ALMOST_FULL flag.
ALMOST_EMPTY_OFFSET	Hexadecimal	Any 12-Bit Value	All zeros	Specifies the amount of data contents in the RAM to trigger the ALMOST_EMPTY flag.
FIRST_WORD_FALL_THROUGH	Boolean	TRUE or FALSE	FALSE	If TRUE, the first write to the FIFO will appear on DO without a first RDEN assertion.
DATA_WIDTH	Integer	4, 9, 18	4	Specifies the desired data width for the FIFO.
EN_SYN	Boolean	TRUE, FALSE	FALSE	EN_SYN denotes whether the FIFO is operating in either multirate (two independent clocks) or synchronous (a single clock) mode. Multirate must use DO_REG=1.
DO_REG	Integer	0 or 1	1	Data pipeline register for EN_SYN.
SIM_MODE	String	"SAFE" or "FAST" .	"SAFE"	This is a simulation only attribute. It will direct the simulation model to run in performance-oriented mode when set to "FAST." Please see the Synthesis and Simulation Design Guide for more information.

VHDL Instantiation Template

Unless they already exist, copy the following two statements and paste them before the entity declaration.

```

Library UNISIM;
use UNISIM.vcomponents.all;

-- FIFO18: 16k+2k Parity Synchronous/Asynchronous BlockRAM FIFO BlockRAM Memory
--          Virtex-5
-- Xilinx HDL Libraries Guide, version 10.1.2

FIFO18_inst : FIFO18
generic map (
ALMOST_FULL_OFFSET => X"080", -- Sets almost full threshold
ALMOST_EMPTY_OFFSET => X"080", -- Sets the almost empty threshold
DATA_WIDTH => 4, -- Sets data width to 4, 9, or 18
DO_REG => 1, -- Enable output register ( 0 or 1)
-- Must be 1 if the EN_SYN = FALSE
EN_SYN => FALSE, -- Specified FIFO as Asynchronous (FALSE) or
-- Synchronous (TRUE)
FIRST_WORD_FALL_THROUGH => FALSE, -- Sets the FIFO FWFT to TRUE or FALSE
SIM_MODE => "SAFE") -- Simulation: "SAFE" vs "FAST", see "Synthesis and Simulation
-- Design Guide" for details
port map (
ALMOSTEMPTY => ALMOSTEMPTY, -- 1-bit almost empty output flag
ALMOSTFULL => ALMOSTFULL, -- 1-bit almost full output flag
DO => DO, -- 32-bit data output
DOP => DOP, -- 2-bit parity data output
EMPTY => EMPTY, -- 1-bit empty output flag
    
```

```

FULL => FULL,           -- 1-bit full output flag
RDCOUNT => RDCOUNT,    -- 12-bit read count output
RDERR => RDERR,        -- 1-bit read error output
WRCOUNT => WRCOUNT,    -- 12-bit write count output
WRERR => WRERR,        -- 1-bit write error
DI => DI,              -- 16-bit data input
DIP => DIP,            -- 2-bit parity input
RDCLK => RDCLK,        -- 1-bit read clock input
RDEN => RDEN,          -- 1-bit read enable input
RST => RST,            -- 1-bit reset input
WRCLK => WRCLK,        -- 1-bit write clock input
WREN => WREN           -- 1-bit write enable input
);

-- End of FIFO18_inst instantiation

```

Verilog Instantiation Template

```

// FIFO18: 16k+2k Parity Synchronous/Asynchronous BlockRAM FIFO
//           Virtex-5
// Xilinx HDL Libraries Guide, version 10.1.2

FIFO18 #(
.SIM_MODE("SAFE"), // Simulation: "SAFE" vs. "FAST", see "Synthesis and Simulation Design Guide" for details
.ALMOST_FULL_OFFSET(12'h080), // Sets almost full threshold
.ALMOST_EMPTY_OFFSET(12'h080), // Sets the almost empty threshold
.DATA_WIDTH(4), // Sets data width to 4, 9 or 18
.DO_REG(1), // Enable output register (0 or 1)
// Must be 1 if EN_SYN = "FALSE"
.EN_SYN("FALSE"), // Specifies FIFO as Asynchronous ("FALSE")
// or Synchronous ("TRUE")
.FIRST_WORD_FALL_THROUGH("FALSE") // Sets the FIFO FWFT to "TRUE" or "FALSE"
) FIFO18_inst (
.ALMOSTEMPTY(ALMOSTEMPTY), // 1-bit almost empty output flag
.ALMOSTFULL(ALMOSTFULL), // 1-bit almost full output flag
.DO(DO), // 16-bit data output
.DOP(DOP), // 2-bit parity data output
.EMPTY(EMPTY), // 1-bit empty output flag
.FULL(FULL), // 1-bit full output flag
.RDCOUNT(RDCOUNT), // 12-bit read count output
.RDERR(RDERR), // 1-bit read error output
.WRCOUNT(WRCOUNT), // 12-bit write count output
.WRERR(WRERR), // 1-bit write error
.DI(DI), // 16-bit data input
.DIP(DIP), // 2-bit parity input
.RDCLK(RDCLK), // 1-bit read clock input
.RDEN(RDEN), // 1-bit read enable input
.RST(RST), // 1-bit reset input
.WRCLK(WRCLK), // 1-bit write clock input
.WREN(WREN) // 1-bit write enable input
);

// End of FIFO18_inst instantiation

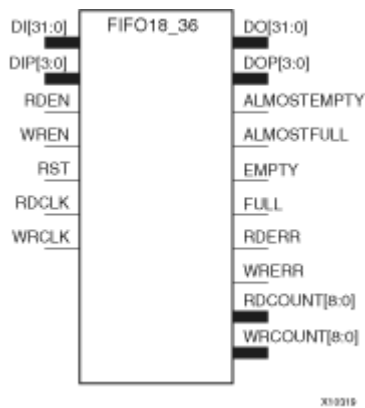
```

For More Information

- See the [Virtex-5 User Guide](#).
- See the [Virtex-5 Data Sheets](#).

FIFO18_36

Primitive: 36-bit Wide by 512 Deep 18KB FIFO (First In, First Out) Block RAM Memory



Introduction

Virtex®-5 devices contain several block RAM memories that can be configured as FIFOs, automatic error-correction RAM, or general-purpose 36KB or 18KB RAM/ROM memories. These Block RAM memories offer fast and flexible storage of large amounts of on-chip data. The FIFO18_36 allows access to the Block RAM in the 18KB FIFO configuration when a wide data path is needed. This component is set to a 36-bit wide, 512 deep ration with configurable synchronous or asynchronous operation. This FIFO RAM also supplies all associated FIFO flags and status signals.

When using the dual-clock mode with independent clocks, depending on the offset between read and write clock edges, the Empty, Almost Empty, Full and Almost Full flags can deassert one cycle later. Due to the asynchronous nature of the clocks the simulation model only reflects the deassertion latency cycles listed in the *User Guide*.

Note For an 18KB FIFO in a deeper, less wide configuration, use the FIFO18 component. For deeper or wider configurations of the FIFO, the FIFO36 or FIFO36_72 might be used. If you want error-correction circuitry, the FIFO36_72 must be used.

Port Descriptions

Port	Direction	Width	Function
DO	Output	32	FIFO data output bus.
DOP	Output	4	FIFO parity data output bus.
FULL	Output	1	Active high logic indicates that the FIFO contents are full.
ALMOSTFULL	Output	1	Programmable flag to indicate the FIFO is almost full. ALMOST_FULL_OFFSET attribute specifies where to trigger this flag.
EMPTY	Output	1	Active high logic indicates the FIFO is currently empty.
ALMOSTEMPTY	Output	1	Programmable flag to indicate the FIFO is almost empty. ALMOST_EMPTY_OFFSET attribute specifies where to trigger this flag.
WRERR, RDERR	Output	1	WRERR indicates that a write occurred while the FIFO was full while RDERR indicated a read occurred while the FIFO was empty

Port	Direction	Width	Function
WRCOUNT, RDCOUNT	Output	9	FIFO write/read pointer.
DI	Input	32	FIFO data input bus.
DIP	Input	4	FIFO parity data input bus.
WREN	Input	1	Active high FIFO write enable.
RDEN	Input	1	Active high FIFO read enable.
RST	Input	1	Active high (FIFO logic) asynchronous reset (for multirate FIFO), synchronous reset (synchronous FIFO) for 3 CLK cycles.
WRCLK, RDCLK	Input	1	FIFO read and write clocks (positive edge triggered)

Design Entry Method

Instantiation	Yes
Inference	No
Coregen and wizards	No
Macro support	Recommended

DI, DIP, DO and DOP should be connected to their respective input and output data sources. When you are using fewer than 36-bits, connect any unused DI or DIP inputs to a logic zero and any unused DO or DOP pins should be left unconnected. When you are the FIFO set to be synchronous (EN_SYN attribute is set to TRUE), the same clock source should be tied to WRCLK and RDCLK. When you are in asynchronous mode (EN_SYN is set to FALSE), unique clock signals should be used. Depending on the offset between read and write clock edges, the Empty, Almost Empty, Full and Almost Full flags can deassert one cycle later. Due to the asynchronous nature of the clocks the simulation model only reflects the deassertion latency cycles listed in the *User Guide*. WREN and RDEN should be connected to the respective write enable and read enable signal/ logic. RST should be either tied to the appropriate reset signal/logic, or connected to a logic zero if unused.

The FULL, ALMOSTFULL, EMPTY and ALMOSTEMPTY output flags should be connected to the appropriate destination logic, or left unconnected, if not used. The WRERR, RDERR, WRCOUNT and RDCOUNT are optional outputs that can be left unconnected, if not needed. Set all attributes to the FIFO to enable the desired behavior of the component by adjusting the generics (VHDL) or in-line defparams (Verilog) in the instantiation code.

Available Attributes

Attribute	Type	Allowed Values	Default	Description
ALMOST_FULL_OFFSET	Hexadecimal	Any 9-Bit Value	All zeros	Specifies the amount of data contents in the RAM to trigger the ALMOST_FULL flag.
ALMOST_EMPTY_OFFSET	Hexadecimal	Any 9-Bit Value	All zeros	Specifies the amount of data contents in the RAM to trigger the ALMOST_EMPTY flag.
FIRST_WORD_FALL_THROUGH	Boolean	TRUE or FALSE	FALSE	If TRUE, the first write to the FIFO will appear on DO without an RDEN assertion.

Attribute	Type	Allowed Values	Default	Description
EN_SYN	Boolean	TRUE, FALSE	FALSE	When FALSE, specifies the FIFO to be used in asynchronous mode (two independent clock) or when TRUE in synchronous (a single clock) operation.
DO_REG	Integer	0 or 1	1	Enable output register to the FIFO for improved clock-to-out timing at the expense of added read latency (one pipeline delay). DO_REG must be 1 when EN_SYN is set to FALSE.
SIM_MODE	String	"SAFE" or "FAST" .	"SAFE"	This is a simulation only attribute. It will direct the simulation model to run in performance-oriented mode when set to "FAST." Please see the Synthesis and Simulation Design Guide for more information.

VHDL Instantiation Template

Unless they already exist, copy the following two statements and paste them before the entity declaration.

```

Library UNISIM;
use UNISIM.vcomponents.all;

-- FIFO18_36: 36x18k Synchronous/Asynchronous BlockRAM FIFO
--           Virtex-5
-- Xilinx HDL Libraries Guide, version 10.1.2

FIFO18_36_inst : FIFO18_36
generic map (
ALMOST_FULL_OFFSET => X"0080", -- Sets almost full threshold
ALMOST_EMPTY_OFFSET => X"0080", -- Sets the almost empty threshold
DO_REG => 1, -- Enable output register (0 or 1)
-- Must be 1 if EN_SYN = FALSE
EN_SYN => FALSE, -- Specifies FIFO as Asynchronous (FALSE)
-- or Synchronous (TRUE)
FIRST_WORD_FALL_THROUGH => FALSE, -- Sets the FIFO FWFT to TRUE or FALSE
SIM_MODE => "SAFE") -- Simulation: "SAFE" vs "FAST", see "Synthesis and Simulation
-- Design Guide" for details
port map (
ALMOSTEMPTY => ALMOSTEMPTY, -- 1-bit almost empty output flag
ALMOSTFULL => ALMOSTFULL, -- 1-bit almost full output flag
DO => DO, -- 32-bit data output
DOP => DOP, -- 4-bit parity data output
EMPTY => EMPTY, -- 1-bit empty output flag
FULL => FULL, -- 1-bit full output flag
RDCOUNT => RDCOUNT, -- 9-bit read count output
RDERR => RDERR, -- 1-bit read error output
WRCOUNT => WRCOUNT, -- 9-bit write count output
WRERR => WRERR, -- 1-bit write error
DI => DI, -- 32-bit data input
DIP => DIP, -- 4-bit parity input
RDCLK => RDCLK, -- 1-bit read clock input
RDEN => RDEN, -- 1-bit read enable input
RST => RST, -- 1-bit reset input
WRCLK => WRCLK, -- 1-bit write clock input
WREN => WREN -- 1-bit write enable input
);

-- End of FIFO18_36_inst instantiation
    
```

Verilog Instantiation Template

```
// FIFO18_36: 36x18k Synchronous/Asynchronous BlockRAM FIFO
//          Virtex-5
// Xilinx HDL Libraries Guide, version 10.1.2

FIFO18_36 #(
.SIM_MODE("SAFE"), // Simulation: "SAFE" vs. "FAST", see "Synthesis and Simulation Design Guide" for details
.ALMOST_FULL_OFFSET(9'h080), // Sets almost full threshold
.ALMOST_EMPTY_OFFSET(9'h080), // Sets the almost empty threshold
.DO_REG(1), // Enable output register (0 or 1)
// Must be 1 if EN_SYN = "FALSE"
.EN_SYN("FALSE"), // Specifies FIFO as Asynchronous ("FALSE")
// or Synchronous ("TRUE")
.FIRST_WORD_FALL_THROUGH("FALSE") // Sets the FIFO FWFT to "TRUE" or "FALSE"
) FIFO18_36_inst (
.ALMOSTEMPTY(ALMOSTEMPTY), // 1-bit almost empty output flag
.ALMOSTFULL(ALMOSTFULL), // 1-bit almost full output flag
.DO(DO), // 32-bit data output
.DOP(DOP), // 4-bit parity data output
.EMPTY(EMPTY), // 1-bit empty output flag
.FULL(FULL), // 1-bit full output flag
.RDCOUNT(RDCOUNT), // 9-bit read count output
.RDERR(RDERR), // 1-bit read error output
.WRCOUNT(WRCOUNT), // 9-bit write count output
.WRERR(WRERR), // 1-bit write error
.DI(DI), // 32-bit data input
.DIP(DIP), // 4-bit parity input
.RDCLK(RDCLK), // 1-bit read clock input
.RDEN(RDEN), // 1-bit read enable input
.RST(RST), // 1-bit reset input
.WRCLK(WRCLK), // 1-bit write clock input
.WREN(WREN) // 1-bit write enable input
);

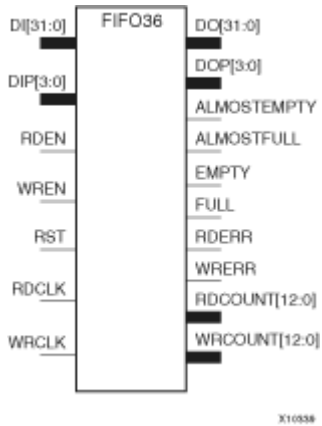
// End of FIFO18_36_inst instantiation
```

For More Information

- See the [Virtex-5 User Guide](#).
- See the [Virtex-5 Data Sheets](#).

FIFO36

Primitive: 36KB FIFO (First In, First Out) Block RAM Memory



Introduction

Virtex®-5 devices contain several block RAM memories that can be configured as FIFOs, automatic error-correction RAM, or general-purpose 36KB or 18KB RAM/ROM memories. These Block RAM memories offer fast and flexible storage of large amounts of on-chip data. The FIFO36 allows access to the Block RAM in the 36KB FIFO configurations. This component can be configured and used as a 4-bit wide by 8K deep, 9-bit by 4K deep, 18-bit by 2K deep or a 36-bit wide by 1K deep synchronous or multirate (asynchronous) FIFO RAM with all associated FIFO flags.

When using the dual-clock mode with independent clocks, depending on the offset between read and write clock edges, the Empty, Almost Empty, Full and Almost Full flags can deassert one cycle later. Due to the asynchronous nature of the clocks the simulation model only reflects the deassertion latency cycles listed in the *User Guide*.

Note For a 72-bit wide by 512 deep FIFO, the FIFO36_72 component must be used. For smaller configurations of the FIFO, the FIFO18 or FIFO18_36 can be used. If error-correction circuitry is desired, the FIFO36_72 must be used.

Port Descriptions

Port	Direction	Width	Function
DO	Output	4, 8, 16, 32	FIFO data output bus.
DOP	Output	0, 1, 2, 4	FIFO parity data output bus.
FULL	Output	1	Active high logic indicates that the FIFO contents are full.
ALMOSTFULL	Output	1	Programmable flag to indicate that the FIFO is almost full. The ALMOST_FULL_OFFSET attribute specifies the threshold where this flag is triggered relative to full/empty.
EMPTY	Output	1	Active high logic indicates that the FIFO is currently empty.
ALMOSTEMPTY	Output	1	Programmable flag to indicate the FIFO is almost empty. ALMOST_EMPTY_OFFSET attribute specifies the threshold where this flag is triggered relative to full/empty.
WRERR, RDERR	Output	1	WRERR indicates that a write occurred while the FIFO was full and RDERR indicates that a read occurred while the FIFO was empty.

Port	Direction	Width	Function
WRCOUNT, RDCOUNT	Output	13	FIFO write/read pointer.
DI	Input	4, 8, 16, 32	FIFO data input bus.
DIP	Input	0, 1, 2, 4	FIFO parity data bus.
WREN	Input	1	Active high FIFO write enable.
RDEN	Input	1	Active high FIFO read enable.
RST	Input	1	Active high (FIFO logic) asynchronous reset (for multirate FIFO), synchronous reset (synchronous FIFO) for 3 CLK cycles.
WRCLK, RDCLK	Input	1	FIFO read and write clocks (positive edge triggered).

Design Entry Method

Instantiation	Yes
Inference	No
Coregen and wizards	No
Macro support	Recommended

When you are instantiating the primitive configured in the 4-bit WIDTH mode, connect the DIP port to logic zeros and leave the DOP port unconnected. Connect DI[3:0] and DO[3:0] to the appropriate input and output signals and tie DI[31:4] to logic zeros and leave DO[31:4] unconnected.

When you are configuring in the 9-bit WIDTH mode, connect the DIP[0] port to the appropriate data input and the DIP[3:1] to a logic zero. Connect DOP[0] to the appropriate data out and leave DOP[3:1] unconnected. Connect DI[7:0] and DO[7:0] to the appropriate input and output signals and tie DI[31:8] to logic zeros and leave DO[31:8] unconnected.

When you are configuring in the 18-bit WIDTH mode, connect the DIP[1:0] port to the appropriate data input and the DIP[3:2] to a logic zero. Connect DOP[1:0] to the appropriate data out and leave DOP[3:2] unconnected. Connect DI[15:0] and DO[15:0] to the appropriate input and output signals and tie DI[31:16] to logic zeros and leave DO[31:16] unconnected.

When you are configuring in the 36-bit WIDTH mode, all DI, DIP, DO and DOP signals can be connected.

For any configuration, any unused DI or DIP inputs should be tied to a logic zero and any unused DO or DOP pins should be left unconnected. When the FIFO is set to be synchronous (EN_SYN attribute is set to TRUE), the same clock source should be tied to WRCLK and RDCLK.

When you are in asynchronous mode (EN_SYN is set to FALSE), unique clock signals should be used. Depending on the offset between read and write clock edges, the Empty, Almost Empty, Full and Almost Full flags can deassert one cycle later. Due to the asynchronous nature of the clocks the simulation model only reflects the deassertion latency cycles listed in the *User Guide*. WREN and RDEN should be connected to the respective write enable and read enable signal/ logic. RST should be either tied to the appropriate reset signal/logic or connected to a logic zero if unused. The FULL, ALMOSTFULL, EMPTY and ALMOSTEMPTY output flags should be connected to the appropriate destination logic or left unconnected if not used. The WRERR, RDERR, WRCOUNT and RDCOUNT are optional outputs and can be left unconnected if not needed. Set all attributes to the FIFO to enable the desired behavior of the component by adjusting the generics (VHDL) or in-line defparams (Verilog) in the instantiation code.

Available Attributes

Attribute	Type	Allowed Values	Default	Description
ALMOST_FULL_OFFSET	Hexadecimal	Any 13-Bit Value	All zeros	Specifies the amount of data contents in the RAM to trigger the ALMOST_FULL flag.
ALMOST_EMPTY_OFFSET	Hexadecimal	Any 13-Bit Value	All zeros	Specifies the amount of data contents in the RAM to trigger the ALMOST_EMPTY flag.
FIRST_WORD_FALL_THROUGH	Boolean	TRUE or FALSE	FALSE	If TRUE, the first write to the FIFO will appear on DO without an RDEN assertion.
DATA_WIDTH	Integer	4 to 36	4	Specifies the desired data width for the FIFO.
EN_SYN	Boolean	TRUE or FALSE	FALSE	EN_SYN denotes whether the FIFO is operating in either multirate (two independent clocks) or synchronous (a single clock) mode. Multirate must use DO_REG=1.
DO_REG	Integer	0 or 1	1	Data pipeline register for EN_SYN.
SIM_MODE	String	"SAFE" or "FAST"	"SAFE"	This is a simulation only attribute. It will direct the simulation model to run in performance-oriented mode when set to "FAST." Please see the Synthesis and Simulation Design Guide for more information.

VHDL Instantiation Template

Unless they already exist, copy the following two statements and paste them before the entity declaration.

```

Library UNISIM;
use UNISIM.vcomponents.all;

-- FIFO36: 32k+4k Parity Synchronous/Asynchronous BlockRAM FIFO BlockRAM Memory
--          Virtex-5
-- Xilinx HDL Libraries Guide, version 10.1.2

FIFO36_inst : FIFO36
generic map (
ALMOST_FULL_OFFSET => X"0080", -- Sets almost full threshold
ALMOST_EMPTY_OFFSET => X"0080", -- Sets the almost empty threshold
DATA_WIDTH => 4, -- Sets data width to 4, 9, 18, or 36
DO_REG => 1, -- Enable output register ( 0 or 1)
-- Must be 1 if the EN_SYN = FALSE
EN_SYN => FALSE, -- Specified FIFO as Asynchronous (FALSE) or
-- Synchronous (TRUE)
FIRST_WORD_FALL_THROUGH => FALSE, -- Sets the FIFO FWFT to TRUE or FALSE
SIM_MODE => "SAFE") -- Simulation: "SAFE" vs "FAST", see "Synthesis and Simulation
-- Design Guide" for details
port map (
ALMOSTEMPTY => ALMOSTEMPTY, -- 1-bit almost empty output flag
ALMOSTFULL => ALMOSTFULL, -- 1-bit almost full output flag
DO => DO, -- 32-bit data output
DOP => DOP, -- 4-bit parity data output
EMPTY => EMPTY, -- 1-bit empty output flag
FULL => FULL, -- 1-bit full output flag
RDCOUNT => RDCOUNT, -- 13-bit read count output
RDERR => RDERR, -- 1-bit read error output
WRCOUNT => WRCOUNT, -- 13-bit write count output
WRERR => WRERR, -- 1-bit write error
DI => DI, -- 32-bit data input
DIP => DIP, -- 4-bit parity input
RDCLK => RDCLK, -- 1-bit read clock input
RDEN => RDEN, -- 1-bit read enable input
RST => RST, -- 1-bit reset input
WRCLK => WRCLK, -- 1-bit write clock input
    
```

```

WREN => WREN          -- 1-bit write enable input
);

-- End of FIFO36_inst instantiation

```

Verilog Instantiation Template

```

// FIFO36: 32k+4k Parity Synchronous/Asynchronous BlockRAM FIFO
//          Virtex-5
// Xilinx HDL Libraries Guide, version 10.1.2

FIFO36 #(
.SIM_MODE("SAFE"), // Simulation: "SAFE" vs. "FAST", see "Synthesis and Simulation Design Guide" for details
.ALMOST_FULL_OFFSET(13'h0080), // Sets almost full threshold
.ALMOST_EMPTY_OFFSET(13'h0080), // Sets the almost empty threshold
.DATA_WIDTH(4), // Sets data width to 4, 9, 18 or 36
.DO_REG(1), // Enable output register (0 or 1)
// Must be 1 if EN_SYN = "FALSE"
.EN_SYN("FALSE"), // Specifies FIFO as Asynchronous ("FALSE")
// or Synchronous ("TRUE")
.FIRST_WORD_FALL_THROUGH("FALSE") // Sets the FIFO FWFT to "TRUE" or "FALSE"
) FIFO36_inst (
.ALMOSTEMPTY(ALMOSTEMPTY), // 1-bit almost empty output flag
.ALMOSTFULL(ALMOSTFULL), // 1-bit almost full output flag
.DO(DO), // 32-bit data output
.DOP(DOP), // 4-bit parity data output
.EMPTY(EMPTY), // 1-bit empty output flag
.FULL(FULL), // 1-bit full output flag
.RDCOUNT(RDCOUNT), // 13-bit read count output
.RDERR(RDERR), // 1-bit read error output
.WRCOUNT(WRCOUNT), // 13-bit write count output
.WRERR(WRERR), // 1-bit write error
.DI(DI), // 32-bit data input
.DIP(DIP), // 4-bit parity input
.RDCLK(RDCLK), // 1-bit read clock input
.RDEN(RDEN), // 1-bit read enable input
.RST(RST), // 1-bit reset input
.WRCLK(WRCLK), // 1-bit write clock input
.WREN(WREN) // 1-bit write enable input
);

// End of FIFO36_inst instantiation

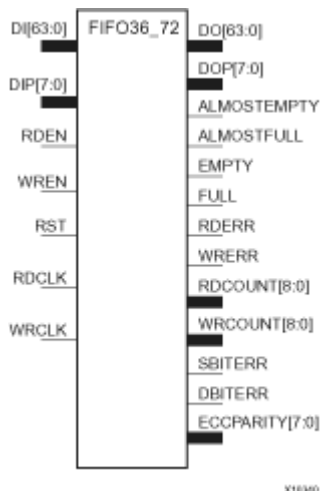
```

For More Information

- See the [Virtex-5 User Guide](#).
- See the [Virtex-5 Data Sheets](#).

FIFO36_72

Primitive: 72-Bit Wide by 512 Deep 36KB FIFO (First In, First Out) Block RAM Memory with ECC (Error Detection and Correction Circuitry)



X16360

Introduction

Virtex®-5 devices contain several block RAM memories that can be configured as FIFOs, automatic error-correction RAM, or general-purpose 36KB or 18KB RAM/ROM memories. These Block RAM memories offer fast and flexible storage of large amounts of on-chip data. This element allows access to the Block RAM in the 36kB FIFO configuration when a wide data path is needed. This component is set to a 72-bit wide, 512 deep ration, with configurable synchronous or asynchronous operation. Error detection and correction circuitry can also be enabled to uncover and rectify possible memory corruptions. This FIFO RAM also supplies all associated FIFO flags and status signals.

When using the dual-clock mode with independent clocks, depending on the offset between read and write clock edges, the Empty, Almost Empty, Full and Almost Full flags can deassert one cycle later. Due to the asynchronous nature of the clocks the simulation model only reflects the deassertion latency cycles listed in the *User Guide*.

Note For a 36KB FIFO in a deeper, less wide configuration, use the FIFO36 component. For smaller configurations of the FIFO, the FIFO18 or FIFO18_36 can be used.

Port Descriptions

Port	Direction	Width	Function
DO	Output	64	FIFO data output bus.
DOP	Output	8	FIFO parity data output bus.
FULL	Output	1	Active high logic indicates that the FIFO contents are full.
ALMOSTFULL	Output	1	Programmable flag to indicate the FIFO is almost full. ALMOST_FULL_OFFSET attribute specifies where to trigger this flag.
EMPTY	Output	1	Active high logic indicates the FIFO is currently empty.

Port	Direction	Width	Function
ALMOSTEMPTY	Output	1	Programmable flag to indicate the FIFO is almost empty. ALMOST_EMPTY_OFFSET attribute specifies where to trigger this flag.
WRERR, RDERR	Output	1	WRERR indicates that a write occurred while the FIFO was full while RDERR indicated a read occurred while the FIFO was empty.
WRCOUNT, RDCOUNT	Output	9	FIFO write/read pointer.
SBITERR	Output	1	Status output from ECC function to indicate a single bit error was detected. EN_ECC_READ needs to be TRUE in order to use this functionality.
DBITERR	Output	1	Status output from ECC function to indicate a double bit error was detected. EN_ECC_READ needs to be TRUE in order to use this functionality.
ECCPARITY	Output	8	8-bit data generated by the ECC encoder used by the ECC decoder for memory error detection and correction.
DI	Input	64	FIFO data input bus.
DIP	Input	8	FIFO parity data input bus.
WREN	Input	1	Active high FIFO write enable.
RDEN	Input	1	Active high FIFO read enable.
RST	Input	1	Active high (FIFO logic) asynchronous reset (for multirate FIFO), synchronous reset (synchronous FIFO) for 3 CLK cycles.
WRCLK, RDCLK	Input	1	FIFO read and write clocks (positive edge triggered).

Design Entry Method

Instantiation	Yes
Inference	No
Coregen and wizards	No
Macro support	Recommended

DI, DIP, DO and DOP should be connected to their respective input and output data sources unless the FIFO is operating in ECC mode in which only the DI and DO ports should be used, since the parity bits are necessary for the ECC functionality. When you are using fewer than available data bits, connect any unused DI or DIP inputs to a logic zero and any unused DO or DOP pins should be left unconnected. When the FIFO is set to be synchronous (EN_SYN attribute is set to TRUE), the same clock source should be tied to WRCLK and RDCLK.

When you are in asynchronous mode (EN_SYN is set to FALSE), unique clock signals should be used. Depending on the offset between read and write clock edges, the Empty, Almost Empty, Full and Almost Full flags can deassert one cycle later. Due to the asynchronous nature of the clocks the simulation model only reflects the deassertion latency cycles listed in the *User Guide*. WREN and RDEN should be connected to the respective write enable and read enable signal/ logic. RST should be either tied to the appropriate reset signal/logic or connected to a logic zero if unused.

The FULL, ALMOSTFULL, EMPTY and ALMOSTEMPTY output flags should be connected to the appropriate destination logic or left unconnected if not used. The WRERR, RDERR, WRCOUNT and RDCOUNT are optional outputs and can be left unconnected, if not needed. In order to use the ECC function, the EN_ECC_READ and the EN_ECC_WRITE must be set to TRUE. If you want to monitor the error detection circuit operation, connect the SBITTERR, DBITTERR and the ECCPARITY signals to the appropriate logic. Set all attributes to the FIFO to enable the desired behavior in the component by adjusting the generics (VHDL) or in-line defparams (Verilog) in the instantiation.

Available Attributes

Attribute	Type	Allowed Values	Default	Description
ALMOST_FULL_OFFSET	Hexadecimal	Any 9-Bit Value	080	Specifies the amount of data contents in the RAM to trigger the ALMOST_FULL flag.
ALMOST_EMPTY_OFFSET	Hexadecimal	Any 9-Bit Value	080	Specifies the amount of data contents in the RAM to trigger the ALMOST_EMPTY flag.
FIRST_WORD_FALL_THROUGH	Boolean	TRUE or FALSE	FALSE	If TRUE, the first write to the FIFO will appear on DO without an RDEN assertion.
EN_SYN	Boolean	TRUE, FALSE	FALSE	When FALSE, specifies the FIFO to be used in asynchronous mode (two independent clock) or when TRUE in synchronous (a single clock) operation.
DO_REG	Integer	0 or 1	1	Enable output register to the FIFO for improved clock-to-out timing at the expense of added read latency (one pipeline delay). DO_REG must be 1 when EN_SYN is set to FALSE.
EN_ECC_READ	Boolean	TRUE or FALSE	FALSE	Enable the ECC decoder circuitry.
EN_ECC_WRITE	Boolean	TRUE or FALSE	FALSE	Enable the ECC encoder circuitry.
SIM_MODE	String	"SAFE" or "FAST" .	"SAFE"	This is a simulation only attribute. It will direct the simulation model to run in performance-oriented mode when set to "FAST." Please see the Synthesis and Simulation Design Guide for more information.

VHDL Instantiation Template

Unless they already exist, copy the following two statements and paste them before the entity declaration.

```
Library UNISIM;
use UNISIM.vcomponents.all;

-- FIFO36_72: 72x36k Synchronous/Asynchronous BlockRAM FIFO /w ECC
--           Virtex-5
-- Xilinx HDL Libraries Guide, version 10.1.2

FIFO36_72_inst : FIFO36_72
generic map (
ALMOST_FULL_OFFSET => X"0080", -- Sets almost full threshold
ALMOST_EMPTY_OFFSET => X"0080", -- Sets the almost empty threshold
DO_REG => 1, -- Enable output register (0 or 1)
-- Must be 1 if EN_SYN = FALSE
EN_ECC_READ => FALSE, -- Enable ECC decoder, TRUE or FALSE
EN_ECC_WRITE => FALSE, -- Enable ECC encoder, TRUE or FALSE
EN_SYN => FALSE, -- Specifies FIFO as Asynchronous (FALSE)
-- or Synchronous (TRUE)
FIRST_WORD_FALL_THROUGH => FALSE, -- Sets the FIFO FWFT to TRUE or FALSE
SIM_MODE => "SAFE") -- Simulation: "SAFE" vs "FAST", see "Synthesis and Simulation
-- Design Guide" for details
port map (
```

```

ALMOSTEMPTY => ALMOSTEMPTY,    -- 1-bit almost empty output flag
ALMOSTFULL => ALMOSTFULL,      -- 1-bit almost full output flag
DBITERR => DBITERR              -- 1-bit double bit error status output
DO => DO,                        -- 64-bit data output
DOP => DOP,                      -- 4-bit parity data output
ECCPARITY => ECCPARITY          -- 8-bit generated error correction parity
EMPTY => EMPTY,                 -- 1-bit empty output flag
FULL => FULL,                   -- 1-bit full output flag
RDCOUNT => RDCOUNT,             -- 9-bit read count output
RDERR => RDERR,                 -- 1-bit read error output
WRCOUNT => WRCOUNT,             -- 9-bit write count output
WRERR => WRERR,                 -- 1-bit write error
DI => DI,                        -- 64-bit data input
DIP => DIP,                      -- 4-bit parity input
RDCLK => RDCLK,                 -- 1-bit read clock input
RDEN => RDEN,                   -- 1-bit read enable input
RST => RST,                      -- 1-bit reset input
WRCLK => WRCLK,                 -- 1-bit write clock input
WREN => WREN                     -- 1-bit write enable input
);

-- End of FIFO36_72_inst instantiation

```

Verilog Instantiation Template

```

// FIFO36_72: 72x36k Synchronous/Asynchronous BlockRAM FIFO /w ECC
//           Virtex-5
// Xilinx HDL Libraries Guide, version 10.1.2

FIFO36_72 #(
.SIM_MODE("SAFE"), // Simulation: "SAFE" vs. "FAST", see "Synthesis and Simulation Design Guide" for details
.ALMOST_FULL_OFFSET(9'h080), // Sets almost full threshold
.ALMOST_EMPTY_OFFSET(9'h080), // Sets the almost empty threshold
.DO_REG(1), // Enable output register (0 or 1)
// Must be 1 if EN_SYN = "FALSE"
.EN_ECC_READ("FALSE"), // Enable ECC decoder, "TRUE" or "FALSE"
.EN_ECC_WRITE("FALSE"), // Enable ECC encoder, "TRUE" or "FALSE"
.EN_SYN("FALSE"), // Specifies FIFO as Asynchronous ("FALSE")
// or Synchronous ("TRUE")
.FIRST_WORD_FALL_THROUGH("FALSE") // Sets the FIFO FWFT to "TRUE" or "FALSE"
) FIFO36_72_inst (
.ALMOSTEMPTY(ALMOSTEMPTY), // 1-bit almost empty output flag
.ALMOSTFULL(ALMOSTFULL), // 1-bit almost full output flag
.DBITERR(DBITERR), // 1-bit double bit error status output
.DO(DO), // 64-bit data output
.DOP(DOP), // 4-bit parity data output
.ECCPARITY(ECCPARITY), // 8-bit generated error correction parity
.EMPTY(EMPTY), // 1-bit empty output flag
.FULL(FULL), // 1-bit full output flag
.RDCOUNT(RDCOUNT), // 9-bit read count output
.RDERR(RDERR), // 1-bit read error output
.SBITERR(SBITERR), // 1-bit single bit error status output
.WRCOUNT(WRCOUNT), // 9-bit write count output
.WRERR(WRERR), // 1-bit write error
.DI(DI), // 64-bit data input
.DIP(DIP), // 4-bit parity input
.RDCLK(RDCLK), // 1-bit read clock input
.RDEN(RDEN), // 1-bit read enable input
.RST(RST), // 1-bit reset input
.WRCLK(WRCLK), // 1-bit write clock input
.WREN(WREN) // 1-bit write enable input
);

// End of FIFO36_72_inst instantiation

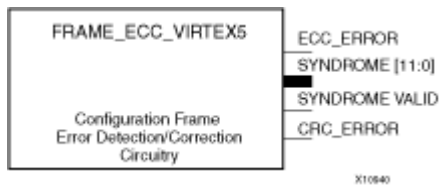
```

For More Information

- See the [Virtex-5 User Guide](#).
- See the [Virtex-5 Data Sheets](#).

FRAME_ECC_VIRTEX5

Primitive: Virtex-5 Configuration Frame Error Detection and Correction Circuitry



Introduction

This design element enables the dedicated, built-in ECC (Error Detection and Correction Circuitry) for the configuration memory of the FPGA. This element contains outputs that allow monitoring of the status of the ECC circuitry and the status of the readback CRC circuitry.

Port Descriptions

Port	Direction	Width	Function
ECCERROR	Output	1	Frame ECC error found. Value is a one when SYNDROME is non-zero and a zero when SYNDROME is all zeroes indicating no errors detected.
SYNDROME	Output	12	Frame ECC error where: No errors: All zeros One bit error: SYNDROME[11]=0, SYNDROME[10:0]= location of error in FRAME Two bit errors: SYNDROME[11]=1, SYNDROME[10:0]=don't care More than two bit errors: Unknown output.
SYNDROMEVALID	Output	1	Frame ECC output indicating that the value on SYNDROME is valid.
CRCERROR	Output	1	Readback CRC error.

Design Entry Method

Instantiation	Recommended
Inference	No
Coregen and wizards	No
Macro support	No

VHDL Instantiation Template

Unless they already exist, copy the following two statements and paste them before the entity declaration.

```
Library UNISIM;
use UNISIM.vcomponents.all;
```

Libraries Guide

```

-- FRAME_ECC_VIRTEX5: Configuration Frame Error Correction Circuitry
--                               Virtex-5
-- Xilinx HDL Libraries Guide, version 10.1.2

FRAME_ECC_VIRTEX5_inst : FRAME_ECC_VIRTEX5
port map (
CRCERROR => CRCERROR,    -- 1-bit output indicating a CRC error
ECCERROR  => ECCERROR,    -- 1-bit output indicating an ECC error
SYNDROME  => SYNDROME,    -- 12-bit output location of erroneous bit
SYNDROMEVALID => SYNDROMEVALID -- 1-bit output indicating the
-- SYNDROME output is valid
);

-- End of FRAME_ECC_VIRTEX5_inst instantiation

```

Verilog Instantiation Template

```

// FRAME_ECC_VIRTEX5: Configuration Frame Error Correction Circuitry
//                               Virtex-5
// Xilinx HDL Libraries Guide, version 10.1.2

FRAME_ECC_VIRTEX5 FRAME_ECC_VIRTEX5_inst (
.CRCERROR(CRCERROR), // 1-bit output indicating a CRC error
.ECCERROR(ECCERROR), // 1-bit output indicating an ECC error
.SYNDROME(SYNDROME), // 12-bit output location of erroneous bit
.SYNDROMEVALID(SYNDROMEVALID) // 1-bit output indicating the
// SYNDROME output is valid
);

// End of FRAME_ECC_VIRTEX5_inst instantiation

```

For More Information

- See the [Virtex-5 User Guide](#).
- See the [Virtex-5 Data Sheets](#).

GTP_DUAL

Primitive: Dual Gigabit Transceiver

Introduction

This design element is a power-efficient transceiver for Virtex®-5 FPGAs. The GTP transceiver is highly configurable and tightly integrated with the programmable logic resources of the FPGA.

Design Entry Method

Instantiation	No
Inference	No
Coregen and wizards	Recommended
Macro support	No

For More Information

- See the [Virtex-5 FPGA RocketIO GTP Transceiver User Guide](#).
- See the [Virtex-5 Data Sheets](#).
- See the [Virtex-5 User Guide](#).

GTX_DUAL

Primitive: Dual Gigabit Transceiver

Introduction

This element is a power-efficient transceiver for Virtex®-4 FPGAs. The GTX transceiver is highly configurable and tightly integrated with the programmable logic resources of the FPGA.

Design Entry Method

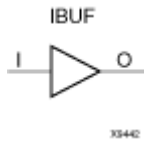
Instantiation	No
Inference	No
Coregen and wizards	Recommended
Macro support	No

For More Information

- See the [Virtex-5 FPGA RocketIO GTP Transceiver User Guide](#).
- See the [Virtex-5 Data Sheets](#).
- See the [Virtex-5 User Guide](#).

IBUF

Primitive: Input Buffer



Introduction

This design element is automatically inserted (inferred) by the synthesis tool to any signal directly connected to a top-level input or in-out port of the design. You should generally let the synthesis tool infer this buffer. However, it can be instantiated into the design if required. In order to do so, connect the input port (I) directly to the associated top-level input or in-out port, and connect the output port (O) to the logic sourced by that port. Modify any necessary generic maps (VHDL) or named parameter value assignment (Verilog) in order to change the default behavior of the component.

Port Descriptions

Port	Direction	Width	Function
O	Output	1	Buffer input
I	Input	1	Buffer output

Design Entry Method

Instantiation	Yes
Inference	Recommended
Coregen and wizards	No
Macro support	No

In general, this element is inferred by the synthesis tool for any specified top-level input port to the design. It is generally not necessary to specify them in the source code however if desired, they be manually instantiated by either copying the instantiation code from the ISE Libraries Guide HDL Template and paste it into the top-level entity/module of your code. It is recommended to always put all I/O components on the top-level of the design to help facilitate hierarchical design methods. Connect the I port directly to the top-level input port of the design and the O port to the logic in which this input is to source. Specify the desired generic/defparam values in order to configure the proper behavior of the buffer.

Available Attributes

Attribute	Type	Allowed Values	Default	Description
IOSTANDARD	String	See Data Sheet	"DEFAULT"	Assigns an I/O standard to the element.

VHDL Instantiation Template

Unless they already exist, copy the following two statements and paste them before the entity declaration.

```
Library UNISIM;
use UNISIM.vcomponents.all;

-- IBUF: Single-ended Input Buffer
--     All devices
-- Xilinx HDL Libraries Guide, version 10.1.2

IBUF_inst : IBUF
generic map (
IBUF_DELAY_VALUE => "0", -- Specify the amount of added input delay for buffer, "0"-16" (Spartan-3E/3A only)
IFD_DELAY_VALUE => "AUTO", -- Specify the amount of added delay for input register, "AUTO", "0"-8" (Spartan-3E/3A only)
IOSTANDARD => "DEFAULT")
port map (
O => O,      -- Buffer output
I => I       -- Buffer input (connect directly to top-level port)
);

-- End of IBUF_inst instantiation
```

Verilog Instantiation Template

```
// IBUF: Single-ended Input Buffer
//     All devices
// Xilinx HDL Libraries Guide, version 10.1.2

IBUF #(
.IBUF_DELAY_VALUE("0"), // Specify the amount of added input delay for
// the buffer, "0"-16" (Spartan-3E/3A only)
.IFD_DELAY_VALUE("AUTO"), // Specify the amount of added delay for input
// register, "AUTO", "0"-8" (Spartan-3E/3A only)
.IOSTANDARD("DEFAULT") // Specify the input I/O standard
)IBUF_inst (
.O(O), // Buffer output
.I(I) // Buffer input (connect directly to top-level port)
);

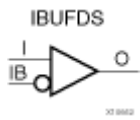
// End of IBUF_inst instantiation
```

For More Information

- See the [Virtex-5 User Guide](#).
- See the [Virtex-5 Data Sheets](#).

IBUFDS

Primitive: Differential Signaling Input Buffer with Optional Delay



Introduction

This design element is an input buffer that supports low-voltage, differential signaling. In IBUFDS, a design level interface signal is represented as two distinct ports (I and IB), one deemed the "master" and the other the "slave." The master and the slave are opposite phases of the same logical signal (for example, MYNET_P and MYNET_N). Optionally, a programmable differential termination feature is available to help improve signal integrity and reduce external components. Also available is a programmable delay to assist in the capturing of incoming data to the device.

Logic Table

Inputs		Outputs
I	IB	O
0	0	No Change
0	1	0
1	0	1
1	1	No Change

Port Descriptions

Port	Direction	Width	Function
O	Output	1	Diff_p Buffer Input
IB	Input	1	Diff_n Buffer Input
I	Input	1	Buffer Output

Design Entry Method

Instantiation	Recommended
Inference	No
Coregen and wizards	No
Macro support	No

Put all I/O components on the top-level of the design to help facilitate hierarchical design methods. Connect the I port directly to the top-level "master" input port of the design, the IB port to the top-level "slave" input port, and the O port to the logic in which this input is to source. Specify the desired generic/defparam values in order to configure the proper behavior of the buffer.

Available Attributes

Attribute	Type	Allowed Values	Default	Description
DIFF_TERM	Boolean	TRUE or FALSE	FALSE	Enables the built-in differential termination resistor.
IOSTANDARD	String	See Data Sheet	"DEFAULT"	Assigns an I/O standard to the element.

VHDL Instantiation Template

Unless they already exist, copy the following two statements and paste them before the entity declaration.

```
Library UNISIM;
use UNISIM.vcomponents.all;

-- IBUFDS: Differential Input Buffer
--       Virtex-II/II-Pro, Spartan-3/3E/3A
-- Xilinx HDL Libraries Guide, version 10.1.2

IBUFDS_inst : IBUFDS
generic map (
CAPACITANCE => "DONT_CARE", -- "LOW", "NORMAL", "DONT_CARE" (Virtex-4 only)
DIFF_TERM => FALSE, -- Differential Termination (Virtex-4/5, Spartan-3E/3A)
IBUF_DELAY_VALUE => "0", -- Specify the amount of added input delay for buffer, "0"-16" (Spartan-3E/3A only)
IFD_DELAY_VALUE => "AUTO", -- Specify the amount of added delay for input register, "AUTO", "0"-8" (Spartan-3E/3A only)
IOSTANDARD => "DEFAULT")
port map (
O => O, -- Clock buffer output
I => I, -- Diff_p clock buffer input (connect directly to top-level port)
IB => IB -- Diff_n clock buffer input (connect directly to top-level port)
);

-- End of IBUFDS_inst instantiation
```

Verilog Instantiation Template

```
// IBUFDS: Differential Input Buffer
//       Virtex-II/II-Pro/4/5, Spartan-3/3E/3A
// Xilinx HDL Libraries Guide, version 10.1.2

IBUFDS #(
.CAPACITANCE("DONT_CARE"), // "LOW", "NORMAL", "DONT_CARE" (Virtex-4 only)
.DIFF_TERM("FALSE"), // Differential Termination (Virtex-4/5, Spartan-3E/3A)
.IBUF_DELAY_VALUE("0"), // Specify the amount of added input delay for
// the buffer, "0"-16" (Spartan-3E only)
.IFD_DELAY_VALUE("AUTO"), // Specify the amount of added delay for input
// register, "AUTO", "0"-8" (Spartan-3E/3A only)
.IOSTANDARD("DEFAULT") // Specify the input I/O standard
) IBUFDS_inst (
.O(O), // Buffer output
.I(I), // Diff_p buffer input (connect directly to top-level port)
.IB(IB) // Diff_n buffer input (connect directly to top-level port)
);

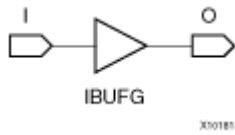
// End of IBUFDS_inst instantiation
```

For More Information

- See the [Virtex-5 User Guide](#).
- See the [Virtex-5 Data Sheets](#).

IBUFG

Primitive: Dedicated Input Clock Buffer



Introduction

The IBUFG is a dedicated input to the device which should be used to connect incoming clocks to the FPGA to the global clock routing resources. The IBUFG provides dedicated connections to the DCM_SP and BUFG providing the minimum amount of clock delay and jitter to the device. The IBUFG input can only be driven by the global clock pins. The IBUFG output can drive CLKIN of a DCM_SP, BUFG, or your choice of logic. The IBUFG can be routed to your choice of logic to allow the use of the dedicated clock pins for general logic.

Port Descriptions

Port	Direction	Width	Function
O	Output	1	Clock Buffer input
I	Input	1	Clock Buffer output

Design Entry Method

Instantiation	Yes
Inference	Recommended
Coregen and wizards	No
Macro support	No

Available Attributes

Attribute	Type	Allowed Values	Default	Description
IOSTANDARD	String	See Data Sheet	"DEFAULT"	Assigns an I/O standard to the element.

VHDL Instantiation Template

Unless they already exist, copy the following two statements and paste them before the entity declaration.

```

Library UNISIM;
use UNISIM.vcomponents.all;

-- IBUFG: Global Clock Buffer (sourced by an external pin)
-- Xilinx HDL Libraries Guide, version 10.1.2

IBUFG_inst : IBUFG
generic map (
  IOSTANDARD => "DEFAULT")
port map (
  O => O, -- Clock buffer output
  I => I -- Clock buffer input (connect directly to top-level port)
    
```

```
);  
-- End of IBUFG_inst instantiation
```

Verilog Instantiation Template

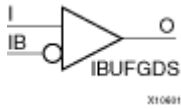
```
// IBUFG: Global Clock Buffer (sourced by an external pin)  
// All FPGAs  
// Xilinx HDL Libraries Guide, version 10.1.2  
  
IBUFG #(  
  .IOSTANDARD("DEFAULT")  
) IBUFG_inst (  
  .O(O), // Clock buffer output  
  .I(I) // Clock buffer input (connect directly to top-level port)  
);  
  
// End of IBUFG_inst instantiation
```

For More Information

- See the [Virtex-5 User Guide](#).
- See the [Virtex-5 Data Sheets](#).

IBUFGDS

Primitive: Differential Signaling Dedicated Input Clock Buffer and Optional Delay



Introduction

This design element is a dedicated differential signaling input buffer for connection to the clock buffer (BUFG) or DCM. In IBUFGDS, a design-level interface signal is represented as two distinct ports (I and IB), one deemed the "master" and the other the "slave." The master and the slave are opposite phases of the same logical signal (for example, MYNET_P and MYNET_N). Optionally, a programmable differential termination feature is available to help improve signal integrity and reduce external components. Also available is a programmable delay is to assist in the capturing of incoming data to the device.

Logic Table

Inputs		Outputs
I	IB	O
0	0	No Change
0	1	0
1	0	1
1	1	No Change

Port Descriptions

Port	Direction	Width	Function
O	Output	1	Diff_p Clock Buffer Input
IB	Input	1	Diff_n Clock Buffer Input
I	Input	1	Clock Buffer output

Design Entry Method

Instantiation	Recommended
Inference	No
Coregen and wizards	No
Macro support	No

Put all I/O components on the top-level of the design to help facilitate hierarchical design methods. Connect the I port directly to the top-level "master" input port of the design, the IB port to the top-level "slave" input port and the O port to a DCM, BUFG or logic in which this input is to source. Some synthesis tools infer the BUFG automatically if necessary, when connecting an IBUFG to the clock resources of the FPGA. Specify the desired generic/defparam values in order to configure the proper behavior of the buffer.

Available Attributes

Attribute	Type	Allowed Values	Default	Description
DIFF_TERM	Boolean	TRUE or FALSE	FALSE	Enables the built-in differential termination resistor.
IOSTANDARD	String	See Data Sheet	"DEFAULT"	Assigns an I/O standard to the element.

VHDL Instantiation Template

Unless they already exist, copy the following two statements and paste them before the entity declaration.

```
Library UNISIM;
use UNISIM.vcomponents.all;

-- IBUFGDS: Differential Global Clock Buffer (sourced by an external pin)
--      Virtex-II/II-Pro/4/5, Spartan-3/3E/3A
-- Xilinx HDL Libraries Guide, version 10.1.2

IBUFGDS_inst : IBUFGDS
generic map (
  IOSTANDARD => "DEFAULT")
port map (
  O => O, -- Clock buffer output
  I => I, -- Diff_p clock buffer input
  IB => IB -- Diff_n clock buffer input
);

-- End of IBUFGDS_inst instantiation
```

Verilog Instantiation Template

```
// IBUFGDS: Differential Global Clock Buffer (sourced by an external pin)
//      Virtex-II/II-Pro/4/5, Spartan-3/3E/3A
// Xilinx HDL Libraries Guide, version 10.1.2

IBUFGDS #(
  .DIFF_TERM("FALSE"), // Differential Termination (Virtex-4/5, Spartan-3E/3A)
  .IOSTANDARD("DEFAULT") // Specifies the I/O standard for this buffer
) IBUFGDS_inst (
  .O(O), // Clock buffer output
  .I(I), // Diff_p clock buffer input
  .IB(IB) // Diff_n clock buffer input
);

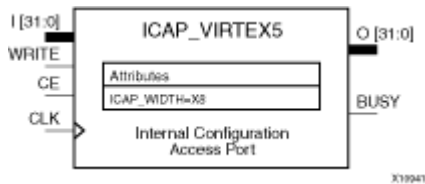
// End of IBUFGDS_inst instantiation
```

For More Information

- See the [Virtex-5 User Guide](#).
- See the [Virtex-5 Data Sheets](#).

ICAP_VIRTEX5

Primitive: Internal Configuration Access Port



Introduction

This design element gives you access to the configuration functions of the FPGA from the FPGA fabric. Using this component, commands and data can be written to and read from the configuration logic of the FPGA array. Since the improper use of this function can have a negative effect on the functionality and reliability of the FPGA, you shouldn't use this element unless you are very familiar with its capabilities.

Port Descriptions

Port	Direction	Width	Function
O	Output	32	Configuration data output bus
Busy	Output	1	Busy/Ready output
I	Input	32	Configuration data input bus
WRITE	Input	1	Active Low Write Input
CE	Input	1	Active Low Clock Enable Input
CLK	Input	1	Clock Input

Design Entry Method

Instantiation	Recommended
Inference	No
Coregen and wizards	No
Macro support	No

Refer to the Configuration User Guide for more details about the parallel bus bit order.

Available Attributes

Attribute	Type	Allowed Values	Default	Description
ICAP_WIDTH	String	X8, "X16", "X32"	X8"	Specifies the input and output data width to be used with the ICAP_VIRTEX5.

VHDL Instantiation Template

Unless they already exist, copy the following two statements and paste them before the entity declaration.

```
Library UNISIM;
use UNISIM.vcomponents.all;

-- ICAP_VIRTEX5: Internal Configuration Access Port
--                               Virtex-5
-- Xilinx HDL Libraries Guide, version 10.1.2

ICAP_VIRTEX5_inst : ICAP_VIRTEX5
generic map (
  ICAP_WIDTH => "X8") -- "X8", "X16" or "X32"
port map (
  BUSY => BUSY,      -- Busy output
  O => O,            -- 32-bit data output
  CE => CE,          -- Clock enable input
  CLK => CLK,        -- Clock input
  I => I,            -- 32-bit data input
  WRITE => WRITE    -- Write input
);

-- End of ICAP_VIRTEX5_inst instantiation
```

Verilog Instantiation Template

```
// ICAP_VIRTEX5: Internal Configuration Access Port
//                               Virtex-5
// Xilinx HDL Libraries Guide, version 10.1.2

ICAP_VIRTEX5 #(
  .ICAP_WIDTH("X8") // "X8", "X16" or "X32"
) ICAP_VIRTEX4_inst (
  .BUSY(BUSY),      // Busy output
  .O(O),            // 32-bit data output
  .CE(CE),          // Clock enable input
  .CLK(CLK),        // Clock input
  .I(I),            // 32-bit data input
  .WRITE(WRITE)    // Write input
);

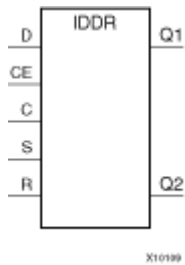
// End of ICAP_VIRTEX5_inst instantiation
```

For More Information

- See the [Virtex-5 User Guide](#).
- See the [Virtex-5 Data Sheets](#).

IDDR

Primitive: Input Dual Data-Rate Register



Introduction

This design element is a dedicated input register designed to receive external dual data rate (DDR) signals into Virtex®-4 and Virtex®-5 FPGAs. The IDDR is available with modes that present the data to the FPGA fabric at the time and clock edge they are captured, or on the same clock edge. This feature allows you to avoid additional timing complexities and resource usage.

- **OPPOSITE_EDGE mode** - Data is recovered in the classic DDR methodology. Given a DDR data and clock at pin D and C respectively, Q1 changes after every positive edge of clock C, and Q2 changes after every negative edge of clock C.
- **SAME_EDGE mode** - Data is still recovered by opposite edges of clock C. However, an extra register has been placed in front of the negative edge data register. This extra register is clocked with positive clock edge of clock signal C. As a result, DDR data is now presented into the FPGA fabric at the same clock edge. However, because of this feature, the data pair appears to be "separated." Q1 and Q2 no longer have pair 1 and 2. Instead, the first pair presented is Pair 1 and DONT_CARE, followed by Pair 2 and 3 at the next clock cycle.
- **SAME_EDGE_PIPELINED mode** - Recovers data in a similar fashion as the SAME_EDGE mode. In order to avoid the "separated" effect of the SAME_EDGE mode, an extra register has been placed in front of the positive edge data register. A data pair now appears at the Q1 and Q2 pin at the same time. However, using this mode costs you an additional cycle of latency for Q1 and Q2 signals to change.

IDDR also works with the SelectIO™ features of the Virtex-4 and Virtex-5 architectures, such as the IODELAY.

Note For high speed interfaces, the IDDR_2CLK component can be used to specify two independent clocks to capture the data. Use this component when the performance requirements of the IDDR are not adequate, since the IDDR_2CLK requires more clocking resources and can imply placement restrictions that are not necessary when using the IDDR component.

Port Descriptions

Port	Direction	Width	Function
Q1 - Q2	Output	1	These pins are the IDDR output that connects to the FPGA fabric. Q1 is the first data pair and Q2 is the second data pair.
C	Input	1	Clock input pin.
CE	Input	1	When asserted Low, this port disables the output clock at port O.
D	Input	1	This pin is where the DDR data is presented into the IDDR module. This pin connects to a top-level input or bi-directional port, and IODELAY configured for an input delay or to an appropriate input or bidirectional buffer.

Port	Direction	Width	Function
R	Input	1	Active high reset forcing Q1 and Q2 to a logic zero. Can be synchronous or asynchronous based on the SRTYPE attribute.
S	Input	1	Active high reset forcing Q1 and Q2 to a logic one. Can be synchronous or asynchronous based on the SRTYPE attribute.

Design Entry Method

Instantiation	Recommended
Inference	No
Coregen and wizards	No
Macro support	No

Available Attributes

Attribute	Type	Allowed Values	Default	Description
DDR_CLK_EDGE	String	"OPPOSITE_EDGE", "SAME_EDGE", "SAME_EDGE_PIPELINED"	"OPPOSITE_EDGE"	DDR clock mode recovery mode selection. See below for more explanation.
INIT_Q1	Binary	0 or 1	0	Initial value on the Q1 pin after configuration startup or when GSR is asserted.
INIT_Q2	Binary	0 or 1	0	Initial value on the Q2 pin after configuration startup or when GSR is asserted.
SRTYPE	String	"SYNC" or "ASYN"	"SYNC"	Set/reset type selection. "SYNC" specifies the behavior of the reset (R) and set (S) pins to be synchronous to the positive edge of the C clock pin. "ASYN" specifies an asynchronous set/reset function.

VHDL Instantiation Template

Unless they already exist, copy the following two statements and paste them before the entity declaration.

```

Library UNISIM;
use UNISIM.vcomponents.all;

-- IDDR: Double Data Rate Input Register with Set, Reset
--       and Clock Enable.
--       Virtex-4/5
-- Xilinx HDL Libraries Guide, version 10.1.2

IDDR_inst : IDDR
generic map (
DDR_CLK_EDGE => "OPPOSITE_EDGE", -- "OPPOSITE_EDGE", "SAME_EDGE"
-- or "SAME_EDGE_PIPELINED"
INIT_Q1 => '0', -- Initial value of Q1: '0' or '1'
INIT_Q2 => '0', -- Initial value of Q2: '0' or '1'
SRTYPE => "SYNC") -- Set/Reset type: "SYNC" or "ASYN"
port map (
Q1 => Q1, -- 1-bit output for positive edge of clock
Q2 => Q2, -- 1-bit output for negative edge of clock
C => C,   -- 1-bit clock input
    
```

```
CE => CE, -- 1-bit clock enable input
D => D,   -- 1-bit DDR data input
R => R,   -- 1-bit reset
S => S    -- 1-bit set
);

-- End of IDDR_inst instantiation
```

Verilog Instantiation Template

```
// IDDR: Input Double Data Rate Input Register with Set, Reset
//       and Clock Enable.
//       Virtex-4/5
// Xilinx HDL Libraries Guide, version 10.1.2

IDDR #(
  .DDR_CLK_EDGE("OPPOSITE_EDGE"), // "OPPOSITE_EDGE", "SAME_EDGE"
  //   or "SAME_EDGE_PIPELINED"
  .INIT_Q1(1'b0), // Initial value of Q1: 1'b0 or 1'b1
  .INIT_Q2(1'b0), // Initial value of Q2: 1'b0 or 1'b1
  .SRTYPE("SYNC") // Set/Reset type: "SYNC" or "ASYNC"
) IDDR_inst (
  .Q1(Q1), // 1-bit output for positive edge of clock
  .Q2(Q2), // 1-bit output for negative edge of clock
  .C(C),   // 1-bit clock input
  .CE(CE), // 1-bit clock enable input
  .D(D),   // 1-bit DDR data input
  .R(R),   // 1-bit reset
  .S(S)    // 1-bit set
);

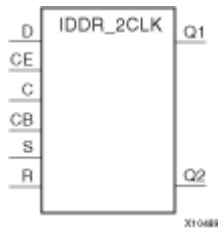
// End of IDDR_inst instantiation
```

For More Information

- See the [Virtex-5 User Guide](#).
- See the [Virtex-5 Data Sheets](#).

IDDR_2CLK

Primitive: Input Dual Data-Rate Register with Dual Clock Inputs



Introduction

This design element is a dedicated input register designed to receive external dual data rate (DDR) signals into Virtex®-5 FPGAs. In general, you should only use the IDDR_2CLK for very high speed interfaces, since it requires more clocking resources, more power, and can imply certain placement restrictions that are not necessary when using the IDDR component. Alternatively, the IDDR component is easier to use, uses fewer resources, and has fewer restrictions, though it cannot operate at the same high I/O speeds. The IDDR_2CLK is available with modes that present the data to the FPGA fabric at the time and clock edge they are captured, or on the same clock edge. This feature allows designers to avoid additional timing complexities and resource usage.

- **OPPOSITE_EDGE mode** - Data is presented in the classic DDR methodology. Given a DDR data and clock at pin D and C respectively, Q1 changes after every positive edge of clock C, and Q2 changes after every positive edge of clock CB.
- **SAME_EDGE mode** - Data is still presented by positive edges of each clock. However, an extra register has been placed in front of the CB clocked data register. This extra register is clocked with positive clock edge of clock signal C. As a result, DDR data is now presented into the FPGA fabric at the positive edge of clock C. However, because of this feature, the data pair appears to be "separated." Q1 and Q2 no longer have pair 1 and 2. Instead, the first pair presented is Pair 1 and DON'T CARE, followed by Pair 2 and 3 at the next clock cycle.
- **SAME_EDGE_PIPELINED mode** - Presents data in a similar fashion as the SAME_EDGE mode. In order to avoid the "separated" effect of the SAME_EDGE mode, an extra register has been placed in front of the C clocked data register. A data pair now appears at the Q1 and Q2 pin at the same time during the positive edge of C. However, using this mode, costs you an additional cycle of latency for Q1 and Q2 signals to change.

IDDR also works with the SelectIO™ features of the Virtex-5 architecture, such as the IODELAY.

Port Descriptions

Port	Direction	Width	Function
Q1 - Q2	Output	1	These pins are the IDDR output that connects to the FPGA fabric. Q1 is the first data pair and Q2 is the second data pair.
C	Input	1	Primary clock input pin used to capture the positive edge data.
CB	Input	1	Secondary clock input pin (typically 180 degrees out of phase with the primary clock) used to capture the negative edge data.
CE	Input	1	When asserted Low, this port disables the output clock at port O.

Port	Direction	Width	Function
D	Input	1	This pin is where the DDR data is presented into the IDDR module. This pin connects to a top-level input or bi-directional port, and IODELAY configured for an input delay or to an appropriate input or bidirectional buffer.
R	Input	1	Active high reset forcing Q1 and Q2 to a logic zero. Can be synchronous or asynchronous based on the SRTYPE attribute.
S	Input	1	Active high reset forcing Q1 and Q2 to a logic one. Can be synchronous or asynchronous based on the SRTYPE attribute.

Design Entry Method

Instantiation	Recommended
Inference	No
Coregen and wizards	No
Macro support	No

Connect the C pin to the appropriate clock source, representing the positive clock edge and CB to the clock source representing the negative clock edge. Connect the D pin to the top-level input, or bidirectional port, an IODELAY, or an instantiated input or bidirectional buffer. The Q1 and Q2 pins should be connected to the appropriate data sources. CE should be tied high when not used, or connected to the appropriate clock enable logic. R and S pins should be tied low, if not used, or to the appropriate set or reset generation logic. Set all attributes to the component to represent the desired behavior. Always instantiate this component in pairs with the same clocking, and to LOC those to the appropriate P and N I/O pair in order not to sacrifice possible I/O resources. Always instantiate this component in the top-level hierarchy of your design, along with any other instantiated I/O components for the design. This helps facilitate hierarchical design flows/practices.

Available Attributes

Attribute	Type	Allowed Values	Default	Description
DDR_CLK_EDGE	String	"OPPOSITE_EDGE", "SAME_EDGE", "SAME_EDGE_PIPELINED"	"OPPOSITE_EDGE"	DDR clock mode recovery mode selection. See Introduction for more explanation.
INIT_Q1	Binary	0 or 1	0	Initial value on the Q1 pin after configuration startup or when GSR is asserted.
INIT_Q2	Binary	0 or 1	0	Initial value on the Q2 pin after configuration startup or when GSR is asserted.
SRTYPE	String	"SYNC" or "ASYNC"	"SYNC"	Set/reset type selection. "SYNC" specifies the behavior of the reset (R) and set (S) pins to be synchronous to the positive edge of the C clock pin. "ASYNC" specifies an asynchronous set/reset function.

VHDL Instantiation Template

Unless they already exist, copy the following two statements and paste them before the entity declaration.

```
Library UNISIM;
use UNISIM.vcomponents.all;

-- IDDR_2CLK: Dual-Clock, Input Double Data Rate Input Register with
--           Set, Reset and Clock Enable.
--           Virtex-5
--           Xilinx HDL Libraries Guide, version 10.1.2

IDDR_2CLK_inst : IDDR_2CLK
generic map (
  DDR_CLK_EDGE => "OPPOSITE_EDGE", -- "OPPOSITE_EDGE", "SAME_EDGE"
  -- or "SAME_EDGE_PIPELINED"
  INIT_Q1 => '0', -- Initial value of Q1: '0' or '1'
  INIT_Q2 => '0', -- Initial value of Q2: '0' or '1'
  SRTYPE => "SYNC") -- Set/Reset type: "SYNC" or "ASYNC"
port map (
  Q1 => Q1, -- 1-bit output for positive edge of clock
  Q2 => Q2, -- 1-bit output for negative edge of clock
  C => C,   -- 1-bit primary clock input
  CB => CB, -- 1-bit secondary clock input
  CE => CE, -- 1-bit clock enable input
  D => D,   -- 1-bit DDR data input
  R => R,   -- 1-bit reset
  S => S    -- 1-bit set
);

-- End of IDDR_2CLK_inst instantiation
```

Verilog Instantiation Template

```
// IDDR_2CLK: Dual-Clock, Input Double Data Rate Input Register with
//           Set, Reset and Clock Enable.
//           Virtex-5
//           Xilinx HDL Libraries Guide, version 10.1.2

IDDR_2CLK #(
  .DDR_CLK_EDGE("OPPOSITE_EDGE"), // "OPPOSITE_EDGE", "SAME_EDGE"
  // or "SAME_EDGE_PIPELINED"
  .INIT_Q1(1'b0), // Initial value of Q1: 1'b0 or 1'b1
  .INIT_Q2(1'b0), // Initial value of Q2: 1'b0 or 1'b1
  .SRTYPE("SYNC") // Set/Reset type: "SYNC" or "ASYNC"
) IDDR_2CLK_inst (
  .Q1(Q1), // 1-bit output for positive edge of clock
  .Q2(Q2), // 1-bit output for negative edge of clock
  .C(C),   // 1-bit primary clock input
  .CB(CB), // 1-bit secondary clock input
  .CE(CE), // 1-bit clock enable input
  .D(D),   // 1-bit DDR data input
  .R(R),   // 1-bit reset
  .S(S)    // 1-bit set
);

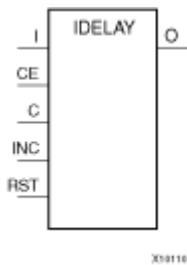
// End of IDDR_2CLK_inst instantiation
```

For More Information

- See the [Virtex-5 User Guide](#).
- See the [Virtex-5 Data Sheets](#).

IDELAY

Primitive: Input Delay Element



Introduction

Virtex®-4 and Virtex®-5 devices have an IDELAY module in the input path of every user I/O. IDELAY allows the implementation of deskew algorithms to correctly capture incoming data. IDELAY can be applied to data signals, clock signals, or both. IDELAY features a fully-controllable, 64-tap delay line. When used in conjunction with the IDELAYCTRL component circuitry, the IDELAY can provide precise time increments of delay independent of process, voltage, and temperature variations. Three modes of operation are available:

- **Zero hold time delay mode** - This mode of operation allows backward compatibility for designs using the zero-hold time delay feature in Virtex®-II, Virtex®-II Pro, Virtex®-4, and Virtex®-5 devices. When used in this mode, the IDELAYCTRL primitive does not need to be instantiated.
- **Fixed tap-delay mode** - In the fixed tap-delay mode, the delay value is set to the number determined by the attribute IOBDELAY_VALUE. This value cannot be changed during run-time. When used in this mode, the IDELAYCTRL primitive must be instantiated.
- **Variable tap-delay mode** - In the variable tap-delay mode, the delay value can be changed at run-time by manipulating the control signals CE and INC. When used in this mode, the IDELAYCTRL primitive must be instantiated.

Port Descriptions

Ports	Direction	Width	Function
I	Input	1	Serial input data from IOB
C	Input	1	Clock input
INC	Input	1	Increment/decrement number of tap delays
CE	Input	1	Enable increment/decrement function
RST	Input	1	Reset delay chain to pre-programmed value. If no value programmed, reset to 0.
O	Output	1	Combinatorial output

Data Input and Output - I and O

IDELAY primitives are located in three different types of general purpose IOB locations. The input and output connectivity differs for each type of IOB location.

- **General Purpose IOBs** - The input of IDELAY in a general-purpose IOB comes directly from the input buffer, IBUF. The output of IDELAY (O) is connected directly to your logic. The input and output datapath is combinatorial and is not affected by the clock signal (C). However, you can choose to register the output signal (O) in the IOB.

- **Regional Clock-Capable IOBs** - Regional clock-capable IOBs are located in one I/O pair directly above and below an HCLK IOB. The input of IDELAY in a regional clock-capable IOB comes directly from the input buffer, IBUF. The output of IDELAY in a regional clock-capable IOB can go to one of the following locations:
 - Directly to your logic
 - BUFIO (in the case of a regional clock signal)

The regional clock buffer, BUFIO, connects the incoming regional clock signal to the regional I/O clock tree, IOCLK. BUFIO also connects to the regional clock buffer, BUFR to connect to the regional clock tree, rclk. The input and output datapath is combinatorial and is not affected by the clock signal (C). However, you can choose to register the output signal (O) in the IOB.

- **Global clock-capable IOBs** - Global clock-capable IOBs are located in the center I/O column. The input of the IDELAY module in a global clock-capable IOB comes directly from the input global clock buffer, IBUFG. The output of the IDELAY module in a global clock-capable IOB can go to one of the following locations:
 - Directly to your logic
 - BUFG (in the case of a global clock signal)

The global clock buffer, BUFG, connects the incoming regional clock signal to the global clock tree, gclk. The input and output datapath is combinatorial and is not affected by the clock signal (C). However, you can choose to register the output signal (O) in the IOB.

Clock Input - C

All control inputs to IDELAY (RST, CE and INC) are synchronous to the clock input (C). The data input and output (I and O) of IDELAY is not affected by this clock signal. This clock input is identical to the CLKDIV input for the ISERDES. All the clock sources used to drive CLKDIV can therefore drive the IDELAY clock input (C). The clock sources that can drive the clock input (C) are:

- Eight gclk (global clock tree)
- Two rclk (regional clock tree)

Module Reset - RST

The IDELAY reset signal, RST, resets the tap-delay line to a value set by the IOBDELAY_VALUE attribute. If the IOBDELAY_VALUE attribute is not specified, the tap-delay line is reset to 0.

Increment/Decrement Signals - CE, INC

The increment/decrement enable signal (CE) determines when the increment/decrement signal (INC) is activated. INC determines whether to increment or decrement the tap-delay line. When CE = 0, the tap delay remains constant no matter what the value of INC. When CE = 1, the tap-delay value increments or decrements depending on the value of INC. The tap delay is incremented or decremented synchronously with respect to the input clock (C). As long as CE = 1, the tap-delay increments or decrements by one every clock cycle. The increment/decrement operation is summarized in the following table:

Operation	RST	CE	INC
Reset to configured value of tap count	1	x	x
Increment tap count	0	1	1
Decrement tap count	0	1	0
No change	0	0	x

Note

1. RST resets delay chain to tap count specified by attribute IOBDELAY_VALUE. If IOBDELAY_VALUE is not specified, tap count reset to 0.
2. RST, CE, and INC are synchronous to the input clock signal (C).

When CE is raised, the increment/decrement operation begins on the next positive clock cycle. When CE is lowered, the increment/decrement operation ceases on the next positive clock cycle.

Design Entry Method

Instantiation	Recommended
Inference	No
Coregen and wizards	No
Macro support	No

Available Attributes

Attribute	Type	Allowed Values	Default	Description
IOBDELAY_TYPE	String	"DEFAULT", "FIXED", or "VARIABLE"	"DEFAULT"	This attribute sets the type of tap delay.
IOBDELAY_VALUE	Integer	0 to 63	0	This attribute specifies the initial number of tap delays.

IOBDELAY_TYPE Attribute

The IOBDELAY_TYPE attribute sets the type of delay used. The attribute values are DEFAULT, FIXED, and VARIABLE. The default value is DEFAULT. When set to DEFAULT, the zero-hold time delay element is selected. This delay element eliminates pad-to-pad hold time. The delay is matched to the internal clock-distribution delay of the device. When used, it guarantees a pad-to-pad hold time of zero.

When set to FIXED, the tap-delay value is fixed at the number of taps determined by the IOBDELAY_VALUE attribute. This value is preset and cannot be changed dynamically.

When set to VARIABLE, the variable tap delay is selected. The tap delay can be incremented by setting CE = 1 and INC = 1 or decremented by setting CE = 1 and INC = 0. The increment/decrement operation is synchronous to C, the input clock signal.

IOBDELAY_VALUE Attribute

The IOBDELAY_VALUE attribute specifies the initial number of tap delays. The possible values are any Integers from 0 to 63. The default value is 0. When set to 0, the total delay becomes the delay of the output MUX which is approximately 400 ps.

The value of the tap delay reverts to IOBDELAY_VALUE when the tap delay is reset (RST = 1), or the IOBDELAY_TYPE is set to FIXED.

VHDL Instantiation Template

Unless they already exist, copy the following two statements and paste them before the entity declaration.

```
Library UNISIM;
use UNISIM.vcomponents.all;

-- IDELAY: Input Delay Element
--       Virtex-4
-- Xilinx HDL Libraries Guide, version 10.1.2

IDELAY_inst : IDELAY
generic map (
IOBDELAY_TYPE => "DEFAULT", -- "DEFAULT", "FIXED" or "VARIABLE"
IOBDELAY_VALUE => 0) -- Any value from 0 to 63
port map (
O => O,      -- 1-bit output
C => C,      -- 1-bit clock input
CE => CE,    -- 1-bit clock enable input
I => I,      -- 1-bit data input
INC => INC,  -- 1-bit increment input
```

```
RST => RST -- 1-bit reset input
);

-- End of IDELAY_inst instantiation
```

Verilog Instantiation Template

```
// IDELAY: Input Delay Element
//      Virtex-4
// Xilinx HDL Libraries Guide, version 10.1.2

IDELAY #(
  .IOBDELAY_TYPE("DEFAULT"), // "DEFAULT", "FIXED" or "VARIABLE"
  .IOBDELAY_VALUE(0)         // Any value from 0 to 63
) IDELAY_inst (
  .O(O), // 1-bit output
  .C(C), // 1-bit clock input
  .CE(CE), // 1-bit clock enable input
  .I(I), // 1-bit data input
  .INC(INC), // 1-bit increment input
  .RST(RST) // 1-bit reset input
);

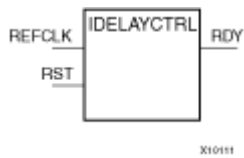
// End of IDELAY_inst instantiation
```

For More Information

- See the [Virtex-5 User Guide](#).
- See the [Virtex-5 Data Sheets](#).

IDELAYCTRL

Primitive: IDELAY Tap Delay Value Control



Introduction

This design element must be instantiated when using the tap-delay line. This occurs when the IDELAY or ISERDES primitive is instantiated with the IOBDELAY_TYPE attribute set to Fixed or Variable. The IDELAYCTRL module provides a voltage bias, independent of process, voltage, and temperature variations to the tap-delay line using a fixed-frequency reference clock, REFCLK. This enables very accurate delay tuning.

Port Descriptions

RST (Module reset) - Resets the IDELAYCTRL circuitry. The RST signal is an active-high asynchronous reset. To reset the IDELAYCTRL, assert it High for at least 50 ns.

REFCLK (Reference Clock) - Provides a voltage bias, independent of process, voltage, and temperature variations, to the tap-delay lines in the IOBs. The frequency of REFCLK must be 200 MHz to guarantee the tap-delay value specified in the applicable data sheet.

RDY (Ready Output) - Indicates the validity of the reference clock input, REFCLK. When REFCLK disappears (i.e., REFCLK is held High or Low for one clock period or more), the RDY signal is deasserted.

Design Entry Method

Instantiation	Recommended
Inference	No
Coregen and wizards	No
Macro support	No

VHDL Instantiation Template

Unless they already exist, copy the following two statements and paste them before the entity declaration.

```
Library UNISIM;
use UNISIM.vcomponents.all;

-- IDELAYCTRL : Input Delay Element Control
--           Virtex-4
-- Xilinx HDL Libraries Guide, version 10.1.2

IDELAYCTRL_inst : IDELAYCTRL
port map (
RDY => RDY,          -- 1-bit output indicates validity of the REFCLK
REFCLK => REFCLK,   -- 1-bit reference clock input
RST => RST           -- 1-bit reset input
);

-- End of IDELAYCTRL_inst instantiation
```

Verilog Instantiation Template

```
// IDELAYCTRL: Input Delay Control Element (Must be used in conjunction with the IDELAY
//          when used in FIXED or VARIABLE tap-delay mode)
//          Virtex-4/5
// Xilinx HDL Libraries Guide, version 10.1.2

IDELAYCTRL IDELAYCTRL_inst (
.RDY(RDY),          // 1-bit ready output
.REFCLK(REFCLK),   // 1-bit reference clock input
.RST(RST)          // 1-bit reset input
);

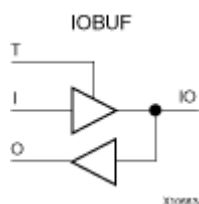
// End of IDELAYCTRL_inst instantiation
```

For More Information

- See the [Virtex-5 User Guide](#).
- See the [Virtex-5 Data Sheets](#).

IOBUF

Primitive: Bi-Directional Buffer



Introduction

The design element is a bidirectional single-ended I/O Buffer used to connect internal logic to an external bidirectional pin.

Logic Table

Inputs		Bidirectional	Outputs
T	I	IO	O
1	X	Z	X
0	1	1	1
0	0	0	0

Port Descriptions

Port	Direction	Width	Function
O	Output	1	Buffer output
IO	Inout	1	Buffer inout
I	Input	1	Buffer input
T	Input	1	3-State enable input

Design Entry Method

Instantiation	Yes
Inference	Recommended
Coregen and wizards	No
Macro support	No

Available Attributes

Attribute	Type	Allowed Values	Default	Description
DRIVE	Integer	2, 4, 6, 8, 12, 16, 24	12	Selects output drive strength (mA) for the SelectIO buffers that use the LVTTTL, LVCMOS12, LVCMOS15, LVCMOS18, LVCMOS25, or LVCMOS33 interface I/O standard.
IOSTANDARD	String	See Data Sheet	"DEFAULT"	Assigns an I/O standard to the element.
SLEW	String	"SLOW", "FAST"	"SLOW"	Sets the output rise and fall time. See the Data Sheet for recommendations of the best setting for this attribute.

VHDL Instantiation Template

Unless they already exist, copy the following two statements and paste them before the entity declaration.

```

Library UNISIM;
use UNISIM.vcomponents.all;

-- IOBUF: Single-ended Bi-directional Buffer
--     All devices
-- Xilinx HDL Libraries Guide, version 10.1.2

IOBUF_inst : IOBUF
generic map (
DRIVE => 12,
IBUF_DELAY_VALUE => "0", -- Specify the amount of added input delay for buffer, "0"-16" (Spartan-3E/3A only)
IFD_DELAY_VALUE => "AUTO", -- Specify the amount of added delay for input register, "AUTO", "0"-8" (Spartan-3E/3A only)
IOSTANDARD => "DEFAULT",
SLEW => "SLOW")
port map (
O => O,      -- Buffer output
IO => IO,    -- Buffer inout port (connect directly to top-level port)
I => I,      -- Buffer input
T => T      -- 3-state enable input
);

-- End of IOBUF_inst instantiation
    
```

Verilog Instantiation Template

```

// IOBUF: Single-ended Bi-directional Buffer
//     All devices
// Xilinx HDL Libraries Guide, version 10.1.2

IOBUF #(
.DRIVE(12), // Specify the output drive strength
.IBUF_DELAY_VALUE("0"), // Specify the amount of added input delay for the buffer, "0"-16" (Spartan-3E only)
.IFD_DELAY_VALUE("AUTO"), // Specify the amount of added delay for input register, "AUTO", "0"-8" (Spartan-3E only)
.IOSTANDARD("DEFAULT"), // Specify the I/O standard
.SLEW("SLOW") // Specify the output slew rate
) IOBUF_inst (
.O(O),      // Buffer output
.IO(IO),    // Buffer inout port (connect directly to top-level port)
.I(I),      // Buffer input
.T(T)      // 3-state enable input
);

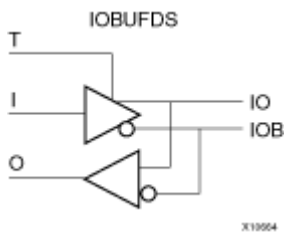
// End of IOBUF_inst instantiation
    
```

For More Information

- See the [Virtex-5 User Guide](#).
- See the [Virtex-5 Data Sheets](#).

IOBUFDS

Primitive: 3-State Differential Signaling I/O Buffer with Active Low Output Enable



Introduction

The design element is a bidirectional buffer that supports low-voltage, differential signaling. For the IOBUFDS, a design level interface signal is represented as two distinct ports (IO and IOB), one deemed the "master" and the other the "slave." The master and the slave are opposite phases of the same logical signal (for example, MYNET_P and MYNET_N). Optionally, a programmable differential termination feature is available to help improve signal integrity and reduce external components. Also available is a programmable delay to assist in the capturing of incoming data to the device.

Logic Table

Inputs		Bidirectional		Outputs
I	T	IO	IOB	O
X	1	Z	Z	No Change
0	0	0	1	0
1	0	1	0	1

Port Descriptions

Port	Direction	Width	Function
O	Output	1	Buffer output
IO	Inout	1	Diff_p inout
IOB	Inout	1	Diff_n inout
I	Input	1	Buffer input
T	Input	1	3-state enable input

Design Entry Method

Instantiation	Recommended
Inference	No
Coregen and wizards	No
Macro support	No

Available Attributes

Attribute	Type	Allowed Values	Default	Description
IOSTANDARD	String	See Data Sheet	"DEFAULT"	Assigns an I/O standard to the element.

VHDL Instantiation Template

Unless they already exist, copy the following two statements and paste them before the entity declaration.

```

Library UNISIM;
use UNISIM.vcomponents.all;

-- IOBUFDS: Differential Bi-directional Buffer
--       Virtex-II/II-Pro, Spartan-3/3E/3A
-- Xilinx HDL Libraries Guide, version 10.1.2

IOBUFDS_inst : IOBUFDS
generic map (
  IBUF_DELAY_VALUE => "0", -- Specify the amount of added input delay for buffer, "0"-16" (Spartan-3E/3A only)
  IFD_DELAY_VALUE => "AUTO", -- Specify the amount of added delay for input register, "AUTO", "0"-8" (Spartan-3E/3A only)
  IOSTANDARD => "DEFAULT")
port map (
  O => O,      -- Buffer output
  IO => IO,    -- Diff_p inout (connect directly to top-level port)
  IOB => IOB,  -- Diff_n inout (connect directly to top-level port)
  I => I,      -- Buffer input
  T => T      -- 3-state enable input
);

-- End of IOBUFDS_inst instantiation

```

Verilog Instantiation Template

```

// IOBUFDS: Differential Bi-directional Buffer
//       Virtex-II/II-Pro/4/5, Spartan-3/3E/3A
// Xilinx HDL Libraries Guide, version 10.1.2

IOBUFDS #(
  .IBUF_DELAY_VALUE("0"), // Specify the amount of added input delay for the buffer, "0"-16" (Spartan-3E only)
  .IFD_DELAY_VALUE("AUTO"), // Specify the amount of added delay for input register, "AUTO", "0"-8" (Spartan-3E only)
  .IOSTANDARD("DEFAULT") // Specify the I/O standard
) IOBUFDS_inst (
  .O(O), // Buffer output
  .IO(IO), // Diff_p inout (connect directly to top-level port)
  .IOB(IOB), // Diff_n inout (connect directly to top-level port)
  .I(I), // Buffer input
  .T(T) // 3-state enable input
);

// End of IOBUFDS_inst instantiation

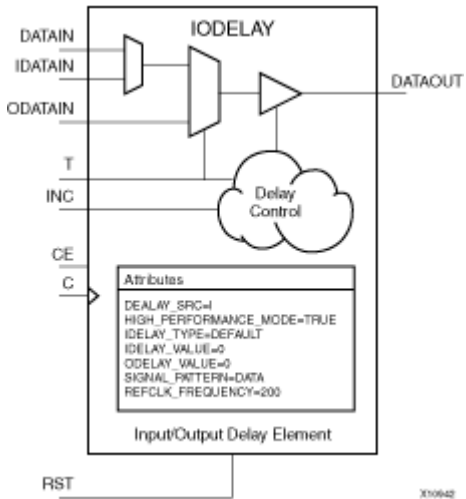
```

For More Information

- See the [Virtex-5 User Guide](#).
- See the [Virtex-5 Data Sheets](#).

IODELAY

Primitive: Input and Output Fixed or Variable Delay Element



Introduction

This design element can be used to provide a fixed delay or an adjustable delay to the input path and a fixed delay for the output path of the Virtex®-5 FPGA. This delay can be useful for the purpose of data alignment of incoming or outgoing data to/from the chip, as well as allowing for the tracking of data alignment over process, temperature, and voltage (PVT). The IODELAY is available on all FPGA I/Os and, when used in conjunction with the IDELAYCTRL component circuitry, can provide precise time increments of delay. When used in variable mode, the input path can be adjusted for increasing and decreasing amounts of delay. The output delay path is only available in a fixed delay. The IODELAY can also be used to add additional static or variable delay to an internal path (within the FPGA fabric). However, when IODELAY is used that way, this device is no longer available to the associated I/O for input or output path delays.

Port Descriptions

Port	Direction	Width	Function
DATAOUT	Output	1	Delayed data output from input port (connect to input datapath logic)
IDATAIN	Input	1	Data input to device from the I/O (connect directly to port, I/O Buffer). When IDATAIN is used, DATAIN must be tied to a logic zero (ground).
ODATAIN	Input	1	Data input for the output datapath from the device (connect to output data source). When ODATAIN is used, DATAIN must be tied to a logic zero (ground).
DATAIN	Input	1	Data input for the internal datapath delay. When DATAIN is used, IDATAIN and ODATAIN must be tied to a logic zero (ground).
T	Input	1	3-state input control. Tie high for input-only or internal delay or tie low for output only.
CE	Input	1	Active high enable increment/decrement function
INC	Input	1	Increment / Decrement tap delay

Port	Direction	Width	Function
C	Input	1	Clock input (Must be connected for variable mode)
RST	Input	1	Active high, synchronous reset, resets delay chain to IDELAY_VALUE/ ODELAY_VALUE tap. If no value is specified, the default is 0.

Design Entry Method

Instantiation	Recommended
Inference	No
Coregen and wizards	No
Macro support	No

For input delay operation, connect the IDATAIN pin directly to either the top-level I/O port, input buffer, or I/O buffer. For output delay, connect the ODATAIN input to the logic sourcing the output data to be delayed. For internal path delays, connect the DATAIN pin to the proper source and destination logic within the FPGA. When you are using the IODELAY for internal signal delays, the IDATAIN and ODATAIN must be tied to a logic zero (ground).

In all cases, the DATAOUT should be connected to the I/Os or logic to be sourced from the delayed data. Connect the T pin to the control signal for the 3-state output operation when you are using the IODELAY. If you are using the IODELAY for output delays only, tie the T pin to a logic zero (ground). If you are using the IODELAY for input only, or for delaying an internal signal, tie the T pin to a logic one (Vcc). If the IODELAY is configured for VARIABLE delay, connect the CE, INC, C, and RST pins to the appropriate delay control signals. If only a FIXED delay mode is used, those pins should be tied to a logic zero (ground).

Available Attributes

Attribute	Type	Allowed Values	Default	Description
HIGH_PERFORMANCE_MODE	Boolean	TRUE, FALSE	FALSE	When TRUE, this attribute reduces the output jitter.
DELAY_SRC	String	"I", "O", "IO" or "DATAIN"	"I"	Specifies the source to the IODELAY component. "I" means it will be connected directly to an input port or IBUF (input mode), "O" means it will be connected to an output port or OBUF (output mode), "IO" means it will be connected to a port, and "DATAIN" means it will not be connected to any port (internal mode).
IDELAY_TYPE	String	"DEFAULT", "FIXED" or "VARIABLE"	"DEFAULT"	Specifies a fixed, variable or default (eliminate hold time) input delay.
IDELAY_VALUE	Integer	0 to 63	0	Specifies the number of taps of delay for the input path when in fixed mode or the initial delay tap value for variable mode.
ODELAY_VALUE	Integer	0 to 63	0	Specifies the number of taps of delay for the output path.

Attribute	Type	Allowed Values	Default	Description
REFCLK_FREQUENCY	Real	190.00 to 210.00	200.00	When using an associated IDELAYCTRL, specifies the input reference frequency to the component.
SIGNAL_PATTERN	String	"CLOCK", "DATA"	"DATA"	Used by the delay calculator to determine different propagation delays through the IDELAY block based on the setting. DATA will be the addition of per tap delay and per tap jitter. No jitter is introduced for clock-like signals.

VHDL Instantiation Template

Unless they already exist, copy the following two statements and paste them before the entity declaration.

```
Library UNISIM;
use UNISIM.vcomponents.all;

-- IDELAY: Input and/or Output Fixed/Variable Delay Element
--           Virtex-5
-- Xilinx HDL Libraries Guide, version 10.1.2

IDELAY_inst : IDELAY
generic map (
  DELAY_SRC => "I", -- Specify which input port to be used
  -- "I"=IDATAIN, "O"=ODATAIN, "DATAIN"=DATAIN, "IO"=Bi-directional
  HIGH_PERFORMANCE_MODE => TRUE, -- TRUE specifies lower jitter
  -- at expense of more power
  IDELAY_TYPE => "DEFAULT", -- "DEFAULT", "FIXED" or "VARIABLE"
  IDELAY_VALUE => 0, -- 0 to 63 tap values
  ODELAY_VALUE => 0, -- 0 to 63 tap values
  REFCLK_FREQUENCY => 200.0, -- Frequency used for IDELAYCTRL
  -- 175.0 to 225.0
  SIGNAL_PATTERN => "DATA") -- Input signal type, "CLOCK" or "DATA"
port map (
  DATAOUT => DATAOUT, -- 1-bit delayed data output
  C => C, -- 1-bit clock input
  CE => CE, -- 1-bit clock enable input
  DATAIN => DATAIN, -- 1-bit internal data input
  IDATAIN => IDATAIN, -- 1-bit input data input (connect to port)
  INC => INC, -- 1-bit increment/decrement input
  ODATAIN => ODATAIN, -- 1-bit output data input
  RST => RST, -- 1-bit active high, synch reset input
  T => T -- 1-bit 3-state control input
);

-- End of IDELAY_inst instantiation
```

Verilog Instantiation Template

```
// IDELAY: Input and/or Output Fixed/variable Delay Element
//           Virtex-5
// Xilinx HDL Libraries Guide, version 10.1.2

IDELAY # (
  .DELAY_SRC("I"), // Specify which input port to be used, "I"=IDATAIN,
  // "O"=ODATAIN, "DATAIN"=DATAIN, "IO"=Bi-directional
  .HIGH_PERFORMANCE_MODE("TRUE"), // "TRUE" specifies lower jitter
  // at expense of more power
  .IDELAY_TYPE("DEFAULT"), // "DEFAULT", "FIXED" or "VARIABLE"
  .IDELAY_VALUE(0), // 0 to 63 tap values
```

```
.ODELAY_VALUE(0),          // 0 to 63 tap values
.REFCLK_FREQUENCY(200.0), // Frequency used for IDELAYCTRL
// 175.0 to 225.0
.SIGNAL_PATTERN("DATA") // Input signal type, "CLOCK" or "DATA"
) IDELAY_INST (
.DATAOUT(DATAOUT), // 1-bit delayed data output
.C(C), // 1-bit clock input
.CE(CE), // 1-bit clock enable input
.DATAIN(DATAIN), // 1-bit internal data input
.IDATAIN(IDATAIN), // 1-bit input data input (connect to port)
.INC(INC), // 1-bit increment/decrement input
.ODATAIN(ODATAIN), // 1-bit output data input
.RST(RST), // 1-bit active high, synch reset input
.T(T) // 1-bit 3-state control input
);

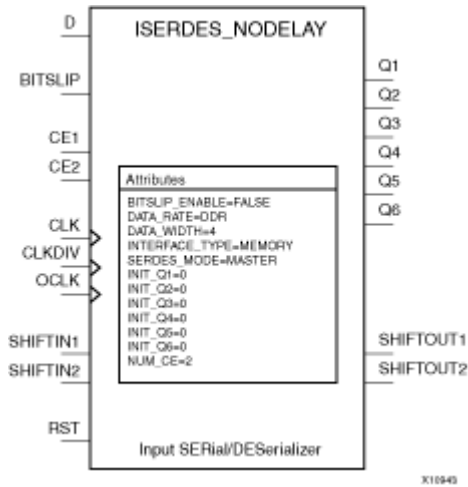
// End of IDELAY_inst instantiation
```

For More Information

- See the [Virtex-5 User Guide](#).
- See the [Virtex-5 Data Sheets](#).

ISERDES_NODELAY

Primitive: Input SERIAL/DESerializer



Introduction

The ISERDES_NODELAY is an input serial-to-parallel data converter that helps facilitate high-speed, source synchronous, serial data capturing. The ISERDES_NODELAY includes logic to assist in clocking and data alignment of either single data rate (SDR) or double data rate (DDR) data to/from 2- to 6-bit data widths for a single instance (MASTER) and 7- to 10-bit data widths for two cascaded ISERDES_NODELAY (MASTER/SLAVE). The ISERDES_NODELAY can be used in memory, networking or a number of different types of data interface applications. The ISERDES_NODELAY can be used in conjunction with an IODELAY component to assist in data alignment of the input serial data. In DDR mode, the ISERDES_NODELAY can be clocked by either a single clock or two clocks for capturing data. When you are using it in two clock mode, higher performance is possible. However, using it in this way might require more clocking resources, consume more power, and require certain placement restriction. Use single clock mode when the highest I/O performance is not needed.

Port Descriptions

Port	Direction	Width	Function
Q1 - Q6	Output	1	Registered parallelized input data.
SHIFTOUT1 / SHIFTOUT2	Output	1	If ISERDES_MODE="MASTER" and two ISERDES_NODELAY are to be cascaded, connect to the slave ISERDES_NODELAY IDATASHIFTIN1/2 inputs.
D	Input	1	Input data to be connected directly to the top-level input or I/O port of the design or to an IODELAY component if additional input delay control is desired.
BITSLLIP	Input	1	Input data bitsllip function enable.
CE1 / CE2	Input	1	Input data register clock enables.
CLK	Input	1	Primary clock input pin used.

Port	Direction	Width	Function
CLKB	Input	1	Secondary clock input. If using in single clock DDR mode (DATA_RATE="DDR"), invert the clock connected to the CLK pin and connect to the CLKB pin. If using in dual clock mode DDR mode, connect a unique, phase shifted clock to the CLKB pin. If using in single data-rate mode (DATA_RATE="SDR"), leave this pin unconnected or connect to ground.
CLKDIV	Input	1	Divided clock to be used for parallelized data.
OCLK	Input	1	High speed output clock typically used for memory interfaces.
SHIFTIN1 / SHIFTIN2	Input	1	If ISERDES_MODE="SLAVE" connect to the master ISERDES_NODELAY IDATASHIFTOUT1/2 outputs. This pin must be grounded.
RST	Input	1	Active high asynchronous reset signal for the registers of the SERDES.

Design Entry Method

Instantiation	Recommended
Inference	No
Coregen and wizards	No
Macro support	No

Available Attributes

Attribute	Type	Allowed Values	Default	Description
BITSLIP_ENABLE	Boolean	TRUE or FALSE	FALSE	Enable the Bitslip functionality. Only available in NETWORKING mode.
DATA_RATE	String	"SDR" or "DDR"	"DDR"	Single Data Rate or Double Data Rate operation
DATA_WIDTH	Integer	4,6,8 or 10 if DATA_RATE="DDR", 2,3,4,5,6,7 or 8 if DATA_RATE="SDR"	4	Parallel data width selection
INTERFACE_TYPE	String	"MEMORY" or "NETWORKING"	"MEMORY"	Memory or Networking interface type
SERDES_MODE	String	"MASTER" or "SLAVE"	"MASTER"	Specify whether the ISERDES is operating in master or slave modes when cascaded width expansion.
NUM_CE	Integer	1 or 2	2	Specifies the number of clock enables used for the ISERDES_NODELAY.

VHDL Instantiation Template

Unless they already exist, copy the following two statements and paste them before the entity declaration.

```
Library UNISIM;
use UNISIM.vcomponents.all;

-- ISERDES_NODELAY: Input SERIAL / DESerializer
--           Virtex-5
-- Xilinx HDL Libraries Guide, version 10.1.2

ISERDES_NODELAY_inst : ISERDES_NODELAY
generic map (
BITSLLIP_ENABLE => FALSE, -- TRUE/FALSE to enable bitslip controller
-- Must be "FALSE" in interface type is "MEMORY"
DATA_RATE => "DDR", -- Specify data rate of "DDR" or "SDR"
DATA_WIDTH => 4, -- Specify data width -
-- NETWORKING SDR: 2, 3, 4, 5, 6, 7, 8 : DDR 4, 6, 8, 10
-- MEMORY SDR N/A : DDR 4
INTERFACE_TYPE => "MEMORY", -- Use model - "MEMORY" or "NETWORKING"
NUM_CE => 2, -- Define number or clock enables to an integer of 1 or 2
SERDES_MODE => "MASTER") --Set SERDES mode to "MASTER" or "SLAVE"
port map (
Q1 => Q1, -- 1-bit registered SERDES output
Q2 => Q2, -- 1-bit registered SERDES output
Q3 => Q3, -- 1-bit registered SERDES output
Q4 => Q4, -- 1-bit registered SERDES output
Q5 => Q5, -- 1-bit registered SERDES output
Q6 => Q6, -- 1-bit registered SERDES output
SHIFTOUT1 => SHIFTOUT1, -- 1-bit cascade Master/Slave output
SHIFTOUT2 => SHIFTOUT2, -- 1-bit cascade Master/Slave output
BITSLLIP => BITSLLIP, -- 1-bit Bitslip enable input
CE1 => CE1, -- 1-bit clock enable input
CE2 => CE2, -- 1-bit clock enable input
CLK => CLK, -- 1-bit master clock input
CLKB => CLKB, -- 1-bit secondary clock input for DATA_RATE=DDR
CLKDIV => CLKDIV, -- 1-bit divided clock input
D => D, -- 1-bit data input, connects to IODELAY or input buffer
OCLK => OCLK, -- 1-bit fast output clock input
RST => RST, -- 1-bit asynchronous reset input
SHIF TIN1 => SHIF TIN1, -- 1-bit cascade Master/Slave input
SHIF TIN2 => SHIF TIN2 -- 1-bit cascade Master/Slave input
);

-- End of ISERDES_NODELAY_inst instantiation
```

Verilog Instantiation Template

```
// ISERDES_NODELAY: Input SERIAL / DESerializer
//           Virtex-5
// Xilinx HDL Libraries Guide, version 10.1.2

ISERDES_NODELAY #(
.BITSLLIP_ENABLE("FALSE"), // "TRUE"/"FALSE" to enable bitslip controller
// Must be "FALSE" if INTERFACE_TYPE set to "MEMORY"
.DATA_RATE("DDR"), // Specify data rate of "DDR" or "SDR"
.DATA_WIDTH(4), // Specify data width -
// NETWORKING SDR: 2, 3, 4, 5, 6, 7, 8 : DDR 4, 6, 8, 10
// MEMORY SDR N/A : DDR 4
.INTERFACE_TYPE("MEMORY"), // Use model - "MEMORY" or "NETWORKING"
.NUM_CE(2), // Number of clock enables used, 1 or 2
.SERDES_MODE("MASTER") // Set SERDES mode to "MASTER" or "SLAVE"
) ISERDES_NODELAY_inst (
.Q1(Q1), // 1-bit registered SERDES output
.Q2(Q2), // 1-bit registered SERDES output
.Q3(Q3), // 1-bit registered SERDES output
.Q4(Q4), // 1-bit registered SERDES output
.Q5(Q5), // 1-bit registered SERDES output
.Q6(Q6), // 1-bit registered SERDES output
.SHIFTOUT1(SHIFTOUT1), // 1-bit cascade Master/Slave output
```

```
.SHIFTOUT2(SHIFTOUT2), // 1-bit cascade Master/Slave output
.BITSLIP(BITSLIP),     // 1-bit Bitslip enable input
.CE1(CE1),            // 1-bit clock enable input
.CE2(CE2),            // 1-bit clock enable input
.CLK(CLK),            // 1-bit master clock input
.CLKB(CLKB),          // 1-bit secondary clock input for DATA_RATE=DDR
.CLKDIV(CLKDIV),      // 1-bit divided clock input
.D(D),                // 1-bit data input, connects to IODELAY or input buffer
.OCLK(OCLK),          // 1-bit fast output clock input
.RST(RST),            // 1-bit asynchronous reset input
.SHIFTIN1(SHIFTIN1), // 1-bit cascade Master/Slave input
.SHIFTIN2(SHIFTIN2)  // 1-bit cascade Master/Slave input
);

// End of ISERDES_NODELAY_inst instantiation
```

For More Information

- See the [Virtex-5 User Guide](#).
- See the [Virtex-5 Data Sheets](#).

KEEPER

Primitive: KEEPER Symbol



Introduction

The design element is a weak keeper element that retains the value of the net connected to its bidirectional O pin. For example, if a logic 1 is being driven onto the net, KEEPER drives a weak/resistive 1 onto the net. If the net driver is then 3-stated, KEEPER continues to drive a weak/resistive 1 onto the net.

Port Descriptions

Name	Direction	Width	Function
O	Output	1-Bit	Keeper output

Design Entry Method

Instantiation	Yes
Inference	Recommended
Coregen and wizards	No
Macro support	No

VHDL Instantiation Template

Unless they already exist, copy the following two statements and paste them before the entity declaration.

```
Library UNISIM;
use UNISIM.vcomponents.all;
```

```
-- KEEPER: I/O Buffer Weak Keeper
--           All FPGA, CoolRunner-II
-- Xilinx HDL Libraries Guide, version 10.1.2

KEEPER_inst : KEEPER
port map (
O => O      -- Keeper output (connect directly to top-level port)
);

-- End of KEEPER_inst instantiation
```

Verilog Instantiation Template

```
// KEEPER: I/O Buffer Weak Keeper
//           All FPGA, CoolRunner-II
// Xilinx HDL Libraries Guide, version 10.1.2

KEEPER KEEPER_inst (
.O(O)      // Keeper output (connect directly to top-level port)
);

// End of KEEPER_inst instantiation
```

For More Information

- See the [Virtex-5 User Guide](#).
- See the [Virtex-5 Data Sheets](#).

KEY_CLEAR

Primitive: Virtex-5 Configuration Encryption Key Erase



Introduction

This design element allows you to erase the configuration encryption circuit key register from internal logic.

Port Descriptions

Port	Direction	Width	Function
KEYCLEARB	Input	1	Active low input, clears the configuration encryption key

Design Entry Method

Instantiation	Recommended
Inference	No
Coregen and wizards	No
Macro support	No

VHDL Instantiation Template

Unless they already exist, copy the following two statements and paste them before the entity declaration.

```
Library UNISIM;
use UNISIM.vcomponents.all;

-- KEY_CLEAR: Startup primitive for GSR, GTS or startup sequence control
--           Virtex-5
-- Xilinx HDL Libraries Guide, version 10.1.2

KEY_CLEAR_inst : KEY_CLEAR
port map (
KEYCLEARB => KEYCLEARB -- Active low key reset 1-bit input
);

-- End of KEY_CLEAR_inst instantiation
```

Verilog Instantiation Template

```
// KEY_CLEAR: Startup primitive for GSR, GTS or startup sequence control
//           Virtex-5
// Xilinx HDL Libraries Guide, version 10.1.2

KEY_CLEAR KEY_CLEAR_inst (
.KYCLEARB(KEYCLEARB) // Active low key reset 1-bit input
);
```

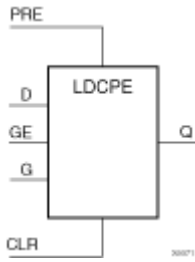
```
// End of KEY_CLEAR_inst instantiation
```

For More Information

- See the [Virtex-5 User Guide](#).
- See the [Virtex-5 Data Sheets](#).

LDCPE

Primitive: Transparent Data Latch with Asynchronous Clear and Preset and Gate Enable



Introduction

This design element is a transparent data latch with data (D), asynchronous clear (CLR), asynchronous preset (PRE), and gate enable (GE). When (CLR) is High, it overrides the other inputs and resets the data (Q) output Low. When (PRE) is High and (CLR) is Low, it presets the data (Q) output High. Q reflects the data (D) input while the gate (G) input and gate enable (GE) are High and (CLR) and PRE are Low. The data on the (D) input during the High-to-Low gate transition is stored in the latch. The data on the Q output remains unchanged as long as (G) or (GE) remains Low.

This latch is asynchronously cleared, outputs Low, when power is applied. For FPGA devices, power-on conditions are simulated when global set/reset (GSR) is active. GSR defaults to active-High but can be inverted by adding an inverter in front of the GSR input of the appropriate `STARTUP_architecture` symbol.

Logic Table

Inputs					Outputs
CLR	PRE	GE	G	D	Q
1	X	X	X	X	0
0	1	X	X	X	1
0	0	0	X	X	No Change
0	0	1	1	0	0
0	0	1	1	1	1
0	0	1	0	X	No Change
0	0	1	↓	D	D

Port Descriptions

Port	Direction	Width	Function
Q	Output	1	Data Output
CLR	Input	1	Asynchronous clear/reset input
D	Input	1	Data Input
G	Input	1	Gate Input
GE	Input	1	Gate Enable Input
PRE	Input	1	Asynchronous preset/set input

Design Entry Method

Instantiation	Yes
Inference	Recommended
Coregen and wizards	No
Macro support	No

Available Attributes

Attribute	Type	Allowed Values	Default	Description
INIT	Integer	0 or 1	0	Sets the initial value of Q output after configuration.

VHDL Instantiation Template

Unless they already exist, copy the following two statements and paste them before the entity declaration.

```

Library UNISIM;
use UNISIM.vcomponents.all;

-- LDCPE: Transparent latch with Asynchronous Reset, Preset and
--       Gate Enable.
--       All families.
-- Xilinx HDL Libraries Guide, version 10.1.2

LDCPE_inst : LDCPE
generic map (
INIT => '0') -- Initial value of latch ('0' or '1')
port map (
Q => Q,      -- Data output
CLR => CLR,  -- Asynchronous clear/reset input
D => D,      -- Data input
G => G,      -- Gate input
GE => GE,   -- Gate enable input
PRE => PRE   -- Asynchronous preset/set input
);

-- End of LDCPE_inst instantiation
    
```

Verilog Instantiation Template

```

// LDCPE: Transparent latch with Asynchronous Reset, Preset and
//       Gate Enable.
//       All families.
// Xilinx HDL Libraries Guide, version 10.1.2

LDCPE #(
.INIT(1'b0) // Initial value of latch (1'b0 or 1'b1)
) LDCPE_inst (
.Q(Q),      // Data output
.CLR(CLR),  // Asynchronous clear/reset input
.D(D),      // Data input
.G(G),      // Gate input
.GE(GE),    // Gate enable input
.PRE(PRE)   // Asynchronous preset/set input
);

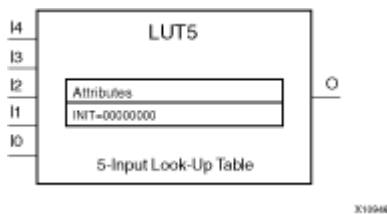
// End of LDCPE_inst instantiation
    
```

For More Information

- See the [Virtex-5 User Guide](#).
- See the [Virtex-5 Data Sheets](#).

LUT5

Primitive: 5-Input Lookup Table with General Output



Introduction

This design element is a five-input, one-output Look-Up Table that can either act as an asynchronous 32-bit ROM (with 5-bit addressing) or implement any 5-input logic function. LUTs are the basic logic building blocks and are used to implement most logic functions of the design. One LUT5 will be packed into a LUT6 within a slice, or two LUT5s can be packed into a single LUT6 with some restrictions. The functionality of the LUT5, LUT5_L and LUT5_D is the same. However, the LUT5_L and LUT5_D allow the additional specification to connect the LUT5 output signal to an internal slice or CLB connection using the LO output. The LUT5_L specifies that the only connections from the LUT5 will be within a slice or CLB, while the LUT5_D allows the specification to connect the output of the LUT to both inter-slice/CLB logic and external logic as well. The LUT5 does not state any specific output connections and should be used in all cases except where internal slice or CLB signal connections must be implicitly specified.

An INIT attribute consisting of a 32-bit Hexadecimal value must be specified to indicate the LUTs logical function. The INIT value is calculated by assigning a 1 to the corresponding INIT bit value when the associated inputs are applied. For instance, a Verilog INIT value of 32'h80000000 (X"80000000" for VHDL) will make the output zero unless all of the inputs are one (a 5-input AND gate). A Verilog INIT value of 32'hfffffffe (X"FFFFFFFE" for VHDL) will make the output one unless all zeros are on the inputs (a 5-input OR gate).

The INIT parameter for the FPGA LUT primitive is what gives the LUT its logical value. By default, this value is zero, thus driving the output to a zero regardless of the input values (acting as a ground). However, in most cases a new INIT value must be determined in order to specify the logic function for the LUT primitive. There are at least two methods by which the LUT value can be determined:

The Truth Table Method -A common method to determine the desired INIT value for a LUT is using a truth table. To do so, simply create a binary truth table of all possible inputs, specify the desired logic value of the output and then create the INIT string from those output values.

The Equation Method -Another method to determine the LUT value is to define parameters for each input to the LUT that correspond to their listed truth value and use those to build the logic equation you are after. This method is easier to understand once you have grasped the concept and more self-documenting than the above method however does require the code to first specify the appropriate parameters.

Logic Table

Inputs					Outputs
I4	I3	I2	I1	I0	LO
0	0	0	0	0	INIT[0]
0	0	0	0	1	INIT[1]
0	0	0	1	0	INIT[2]
0	0	0	1	1	INIT[3]
0	0	1	0	0	INIT[4]

Inputs					Outputs
0	0	1	0	1	INIT[5]
0	0	1	1	0	INIT[6]
0	0	1	1	1	INIT[7]
0	1	0	0	0	INIT[8]
0	1	0	0	1	INIT[9]
0	1	0	1	0	INIT[10]
0	1	0	1	1	INIT[11]
0	1	1	0	0	INIT[12]
0	1	1	0	1	INIT[13]
0	1	1	1	0	INIT[14]
0	1	1	1	1	INIT[15]
1	0	0	0	0	INIT[16]
1	0	0	0	1	INIT[17]
1	0	0	1	0	INIT[18]
1	0	0	1	1	INIT[19]
1	0	1	0	0	INIT[20]
1	0	1	0	1	INIT[21]
1	0	1	1	0	INIT[22]
1	0	1	1	1	INIT[23]
1	1	0	0	0	INIT[24]
1	1	0	0	1	INIT[25]
1	1	0	1	0	INIT[26]
1	1	0	1	1	INIT[27]
1	1	1	0	0	INIT[28]
1	1	1	0	1	INIT[29]
1	1	1	1	0	INIT[30]
1	1	1	1	1	INIT[31]

INIT = Binary equivalent of the hexadecimal number assigned to the INIT attribute

Port Description

Name	Direction	Width	Function
O	Output	1	5-LUT output
I0, I1, I2, I3, I4	Input	1	LUT inputs

Design Entry Method

Instantiation	Yes
Inference	Recommended

Coregen and wizards	No
Macro support	No

Available Attributes

Attribute	Type	Allowed Values	Default	Description
INIT	Hexadecimal	Any 32-Bit Value	All zeros	Specifies the logic value for the look-up tables.

VHDL Instantiation Template

Unless they already exist, copy the following two statements and paste them before the entity declaration.

```
Library UNISIM;
use UNISIM.vcomponents.all;

-- LUT5: 5-input Look-Up Table with general output
--      Virtex-5
-- Xilinx HDL Libraries Guide, version 10.1.2

LUT5_inst : LUT5
generic map (
INIT => X"00000000") -- Specify LUT Contents
port map (
O => O, -- LUT general output
I0 => I0, -- LUT input
I1 => I1, -- LUT input
I2 => I2, -- LUT input
I3 => I3, -- LUT input
I4 => I4 -- LUT input
);

-- End of LUT5_inst instantiation
```

Verilog Instantiation Template

```
// LUT5: 5-input Look-Up Table with general output
//      Virtex-5
// Xilinx HDL Libraries Guide, version 10.1.2

LUT5 #(
.INIT(32'h00000000) // Specify LUT Contents
) LUT5_inst (
.O(O), // LUT general output
.I0(I0), // LUT input
.I1(I1), // LUT input
.I2(I2), // LUT input
.I3(I3), // LUT input
.I4(I4) // LUT input
);

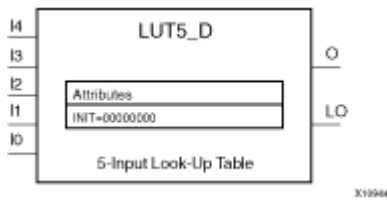
// End of LUT5_inst instantiation
```

For More Information

- See the [Virtex-5 User Guide](#).
- See the [Virtex-5 Data Sheets](#).

LUT5_D

Primitive: 5-Input Lookup Table with Dual Outputs



Introduction

This design element is a five-input, one-output Look-Up Table that can either act as an asynchronous 32-bit ROM (with 5-bit addressing) or implement any 5-input logic function. LUTs are the basic logic building blocks and are used to implement most logic functions of the design. One LUT5 will be packed into a LUT6 within a slice, or two LUT5s can be packed into a single LUT6 with some restrictions. The functionality of the LUT5, LUT5_L and LUT5_D is the same. However, the LUT5_L and LUT5_D allow the additional specification to connect the LUT5 output signal to an internal slice or CLB connection using the LO output. The LUT5_L specifies that the only connections from the LUT5 will be within a slice or CLB, while the LUT5_D allows the specification to connect the output of the LUT to both inter-slice/CLB logic and external logic as well. The LUT5 does not state any specific output connections and should be used in all cases except where internal slice or CLB signal connections must be implicitly specified.

An INIT attribute consisting of a 32-bit Hexadecimal value must be specified to indicate the LUTs logical function. The INIT value is calculated by assigning a 1 to the corresponding INIT bit value when the associated inputs are applied. For instance, a Verilog INIT value of 32'h80000000 (X"80000000" for VHDL) will make the output zero unless all of the inputs are one (a 5-input AND gate). A Verilog INIT value of 32'hffffffe (X"FFFFFFFE" for VHDL) will make the output one unless all zeros are on the inputs (a 5-input OR gate).

The INIT parameter for the FPGA LUT primitive is what gives the LUT its logical value. By default, this value is zero, thus driving the output to a zero regardless of the input values (acting as a ground). However, in most cases a new INIT value must be determined in order to specify the logic function for the LUT primitive. There are at least two methods by which the LUT value can be determined:

The Truth Table Method -A common method to determine the desired INIT value for a LUT is using a truth table. To do so, simply create a binary truth table of all possible inputs, specify the desired logic value of the output and then create the INIT string from those output values.

The Equation Method -Another method to determine the LUT value is to define parameters for each input to the LUT that correspond to their listed truth value and use those to build the logic equation you are after. This method is easier to understand once you have grasped the concept and more self-documenting than the above method however does require the code to first specify the appropriate parameters.

Logic Table

Inputs					Outputs	
I4	I3	I2	I1	I0	O	LO
0	0	0	0	0	INIT[0]	INIT[0]
0	0	0	0	1	INIT[1]	INIT[1]
0	0	0	1	0	INIT[2]	INIT[2]
0	0	0	1	1	INIT[3]	INIT[3]
0	0	1	0	0	INIT[4]	INIT[4]

Inputs					Outputs	
0	0	1	0	1	INIT[5]	INIT[5]
0	0	1	1	0	INIT[6]	INIT[6]
0	0	1	1	1	INIT[7]	INIT[7]
0	1	0	0	0	INIT[8]	INIT[8]
0	1	0	0	1	INIT[9]	INIT[9]
0	1	0	1	0	INIT[10]	INIT[10]
0	1	0	1	1	INIT[11]	INIT[11]
0	1	1	0	0	INIT[12]	INIT[12]
0	1	1	0	1	INIT[13]	INIT[13]
0	1	1	1	0	INIT[14]	INIT[14]
0	1	1	1	1	INIT[15]	INIT[15]
1	0	0	0	0	INIT[16]	INIT[16]
1	0	0	0	1	INIT[17]	INIT[17]
1	0	0	1	0	INIT[18]	INIT[18]
1	0	0	1	1	INIT[19]	INIT[19]
1	0	1	0	0	INIT[20]	INIT[20]
1	0	1	0	1	INIT[21]	INIT[21]
1	0	1	1	0	INIT[22]	INIT[22]
1	0	1	1	1	INIT[23]	INIT[23]
1	1	0	0	0	INIT[24]	INIT[24]
1	1	0	0	1	INIT[25]	INIT[25]
1	1	0	1	0	INIT[26]	INIT[26]
1	1	0	1	1	INIT[27]	INIT[27]
1	1	1	0	0	INIT[28]	INIT[28]
1	1	1	0	1	INIT[29]	INIT[29]
1	1	1	1	0	INIT[30]	INIT[30]
1	1	1	1	1	INIT[31]	INIT[31]

INIT = Binary equivalent of the hexadecimal number assigned to the INIT attribute

Port Description

Name	Direction	Width	Function
O	Output	1	5-LUT output
L0	Output	1	5-LUT output for internal CLB connection
I0, I1, I2, I3, I4	Input	1	LUT inputs

Design Entry Method

Instantiation	Yes
Inference	Recommended
Coregen and wizards	No
Macro support	No

Available Attributes

Attribute	Type	Allowed Values	Default	Description
INIT	Hexadecimal	Any 32-Bit Value	All zeros	Specifies the logic value for the look-up tables.

VHDL Instantiation Template

Unless they already exist, copy the following two statements and paste them before the entity declaration.

```

Library UNISIM;
use UNISIM.vcomponents.all;

-- LUT5: 5-input Look-Up Table with general output
--      Virtex-5
-- Xilinx HDL Libraries Guide, version 10.1.2

LUT5_inst : LUT5
generic map (
INIT => X"00000000") -- Specify LUT Contents
port map (
O => O, -- LUT general output
I0 => I0, -- LUT input
I1 => I1, -- LUT input
I2 => I2, -- LUT input
I3 => I3, -- LUT input
I4 => I4 -- LUT input
);

-- End of LUT5_inst instantiation

```

Verilog Instantiation Template

```

// LUT5: 5-input Look-Up Table with general output
//      Virtex-5
// Xilinx HDL Libraries Guide, version 10.1.2

LUT5 #(
.INIT(32'h00000000) // Specify LUT Contents
) LUT5_inst (
.O(O), // LUT general output
.I0(I0), // LUT input
.I1(I1), // LUT input
.I2(I2), // LUT input
.I3(I3), // LUT input
.I4(I4) // LUT input
);

// End of LUT5_inst instantiation

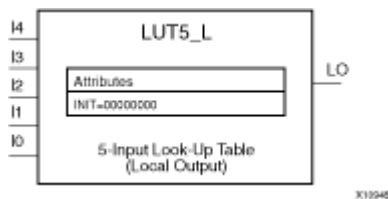
```

For More Information

- See the *[Virtex-5 User Guide](#)*.
- See the *[Virtex-5 Data Sheets](#)*.

LUT5_L

Primitive: 5-Input Lookup Table with Local Output



Introduction

This design element is a five-input, one-output Look-Up Table that can either act as an asynchronous 32-bit ROM (with 5-bit addressing) or implement any 5-input logic function. LUTs are the basic logic building blocks and are used to implement most logic functions of the design. One LUT5 will be packed into a LUT6 within a slice, or two LUT5s can be packed into a single LUT6 with some restrictions. The functionality of the LUT5, LUT5_L and LUT5_D is the same. However, the LUT5_L and LUT5_D allow the additional specification to connect the LUT5 output signal to an internal slice or CLB connection using the LO output. The LUT5_L specifies that the only connections from the LUT5 will be within a slice or CLB, while the LUT5_D allows the specification to connect the output of the LUT to both inter-slice/CLB logic and external logic as well. The LUT5 does not state any specific output connections and should be used in all cases except where internal slice or CLB signal connections must be implicitly specified.

An INIT attribute consisting of a 32-bit Hexadecimal value must be specified to indicate the LUTs logical function. The INIT value is calculated by assigning a 1 to the corresponding INIT bit value when the associated inputs are applied. For instance, a Verilog INIT value of 32'h80000000 (X"80000000" for VHDL) will make the output zero unless all of the inputs are one (a 5-input AND gate). A Verilog INIT value of 32'hfffffffe (X"FFFFFFFE" for VHDL) will make the output one unless all zeros are on the inputs (a 5-input OR gate).

The INIT parameter for the FPGA LUT primitive is what gives the LUT its logical value. By default, this value is zero, thus driving the output to a zero regardless of the input values (acting as a ground). However, in most cases a new INIT value must be determined in order to specify the logic function for the LUT primitive. There are at least two methods by which the LUT value can be determined:

The Truth Table Method -A common method to determine the desired INIT value for a LUT is using a truth table. To do so, simply create a binary truth table of all possible inputs, specify the desired logic value of the output and then create the INIT string from those output values.

The Equation Method -Another method to determine the LUT value is to define parameters for each input to the LUT that correspond to their listed truth value and use those to build the logic equation you are after. This method is easier to understand once you have grasped the concept and more self-documenting that the above method however does require the code to first specify the appropriate parameters.

Logic Table

Inputs					Outputs
I4	I3	I2	I1	I0	LO
0	0	0	0	0	INIT[0]
0	0	0	0	1	INIT[1]
0	0	0	1	0	INIT[2]
0	0	0	1	1	INIT[3]
0	0	1	0	0	INIT[4]
0	0	1	0	1	INIT[5]

Inputs					Outputs
0	0	1	1	0	INIT[6]
0	0	1	1	1	INIT[7]
0	1	0	0	0	INIT[8]
0	1	0	0	1	INIT[9]
0	1	0	1	0	INIT[10]
0	1	0	1	1	INIT[11]
0	1	1	0	0	INIT[12]
0	1	1	0	1	INIT[13]
0	1	1	1	0	INIT[14]
0	1	1	1	1	INIT[15]
1	0	0	0	0	INIT[16]
1	0	0	0	1	INIT[17]
1	0	0	1	0	INIT[18]
1	0	0	1	1	INIT[19]
1	0	1	0	0	INIT[20]
1	0	1	0	1	INIT[21]
1	0	1	1	0	INIT[22]
1	0	1	1	1	INIT[23]
1	1	0	0	0	INIT[24]
1	1	0	0	1	INIT[25]
1	1	0	1	0	INIT[26]
1	1	0	1	1	INIT[27]
1	1	1	0	0	INIT[28]
1	1	1	0	1	INIT[29]
1	1	1	1	0	INIT[30]
1	1	1	1	1	INIT[31]

INIT = Binary equivalent of the hexadecimal number assigned to the INIT attribute

Port Description

Name	Direction	Width	Function
L0	Output	1	6/5-LUT output for internal CLB connection
I0, I1, I2, I3, I4	Input	1	LUT inputs

Design Entry Method

Instantiation	Yes
Inference	Recommended

Coregen and wizards	No
Macro support	No

Available Attributes

Attribute	Type	Allowed Values	Default	Description
INIT	Hexadecimal	Any 32-Bit Value	All zeros	Specifies the logic value for the look-up tables.

VHDL Instantiation Template

Unless they already exist, copy the following two statements and paste them before the entity declaration.

```
Library UNISIM;
use UNISIM.vcomponents.all;

-- LUT5: 5-input Look-Up Table with general output
--      Virtex-5
-- Xilinx HDL Libraries Guide, version 10.1.2

LUT5_inst : LUT5
generic map (
INIT => X"00000000") -- Specify LUT Contents
port map (
O => O, -- LUT general output
I0 => I0, -- LUT input
I1 => I1, -- LUT input
I2 => I2, -- LUT input
I3 => I3, -- LUT input
I4 => I4 -- LUT input
);

-- End of LUT5_inst instantiation
```

Verilog Instantiation Template

```
// LUT5: 5-input Look-Up Table with general output
//      Virtex-5
// Xilinx HDL Libraries Guide, version 10.1.2

LUT5 #(
.INIT(32'h00000000) // Specify LUT Contents
) LUT5_inst (
.O(O), // LUT general output
.I0(I0), // LUT input
.I1(I1), // LUT input
.I2(I2), // LUT input
.I3(I3), // LUT input
.I4(I4) // LUT input
);

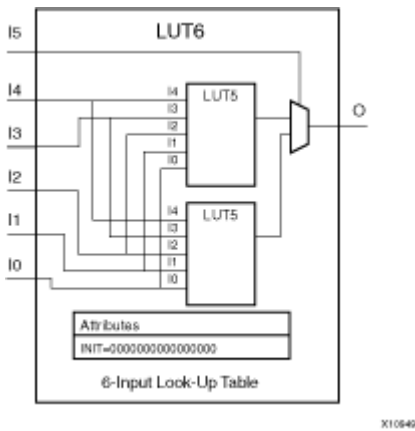
// End of LUT5_inst instantiation
```

For More Information

- See the [Virtex-5 User Guide](#).
- See the [Virtex-5 Data Sheets](#).

LUT6

Primitive: 6-Input Lookup Table with General Output



Introduction

This design element is a six-input, one-output Look-Up Table that can either act as an asynchronous 64-bit ROM (with 6-bit addressing) or implement any 6-input logic function. LUTs are the basic logic building blocks and are used to implement most logic functions of the design. A LUT6 will be mapped to one of the four look-up tables in the Virtex-5 slice. The functionality of the LUT6, LUT6_L and LUT6_D is the same. However, the LUT6_L and LUT6_D allow the additional specification to connect the LUT6 output signal to an internal slice, or CLB connection, using the LO output. The LUT6_L specifies that the only connections from the LUT6 will be within a slice, or CLB, while the LUT6_D allows the specification to connect the output of the LUT to both inter-slice/CLB logic and external logic as well. The LUT6 does not state any specific output connections and should be used in all cases except where internal slice or CLB signal connections must be implicitly specified.

An INIT attribute consisting of a 64-bit Hexadecimal value must be specified to indicate the LUTs logical function. The INIT value is calculated by assigning a 1 to corresponding INIT bit value when the associated inputs are applied. For instance, a Verilog INIT value of `64'h8000000000000000` (`X"8000000000000000"` for VHDL) will make the output zero unless all of the inputs are one (a 6-input AND gate). A Verilog INIT value of `64'hfffffffffffffe` (`X"FFFFFFFFFFFFFFFE"` for VHDL) will make the output one unless all zeros are on the inputs (a 6-input OR gate).

The INIT parameter for the FPGA LUT primitive is what gives the LUT its logical value. By default, this value is zero, thus driving the output to a zero regardless of the input values (acting as a ground). However, in most cases a new INIT value must be determined in order to specify the logic function for the LUT primitive. There are at least two methods by which the LUT value can be determined:

The Logic Table Method -A common method to determine the desired INIT value for a LUT is using a logic table. To do so, simply create a binary truth table of all possible inputs, specify the desired logic value of the output and then create the INIT string from those output values.

The Equation Method -Another method to determine the LUT value is to define parameters for each input to the LUT that correspond to their listed truth value and use those to build the logic equation you are after. This method is easier to understand once you have grasped the concept and more self-documenting than the above method however does require the code to first specify the appropriate parameters.

Logic Table

Inputs						Outputs
I5	I4	I3	I2	I1	I0	O

Inputs						Outputs
0	0	0	0	0	0	INIT[0]
0	0	0	0	0	1	INIT[1]
0	0	0	0	1	0	INIT[2]
0	0	0	0	1	1	INIT[3]
0	0	0	1	0	0	INIT[4]
0	0	0	1	0	1	INIT[5]
0	0	0	1	1	0	INIT[6]
0	0	0	1	1	1	INIT[7]
0	0	1	0	0	0	INIT[8]
0	0	1	0	0	1	INIT[9]
0	0	1	0	1	0	INIT[10]
0	0	1	0	1	1	INIT[11]
0	0	1	1	0	0	INIT[12]
0	0	1	1	0	1	INIT[13]
0	0	1	1	1	0	INIT[14]
0	0	1	1	1	1	INIT[15]
0	1	0	0	0	0	INIT[16]
0	1	0	0	0	1	INIT[17]
0	1	0	0	1	0	INIT[18]
0	1	0	0	1	1	INIT[19]
0	1	0	1	0	0	INIT[20]
0	1	0	1	0	1	INIT[21]
0	1	0	1	1	0	INIT[22]
0	1	0	1	1	1	INIT[23]
0	1	1	0	0	0	INIT[24]
0	1	1	0	0	1	INIT[25]
0	1	1	0	1	0	INIT[26]
0	1	1	0	1	1	INIT[27]
0	1	1	1	0	0	INIT[28]
0	1	1	1	0	1	INIT[29]
0	1	1	1	1	0	INIT[30]
0	1	1	1	1	1	INIT[31]
1	0	0	0	0	0	INIT[32]
1	0	0	0	0	1	INIT[33]
1	0	0	0	1	0	INIT[34]
1	0	0	0	1	1	INIT[35]
1	0	0	1	0	0	INIT[36]
1	0	0	1	0	1	INIT[37]
1	0	0	1	1	0	INIT[38]

Inputs						Outputs
1	0	0	1	1	1	INIT[39]
1	0	1	0	0	0	INIT[40]
1	0	1	0	0	1	INIT[41]
1	0	1	0	1	0	INIT[42]
1	0	1	0	1	1	INIT[43]
1	0	1	1	0	0	INIT[44]
1	0	1	1	0	1	INIT[45]
1	0	1	1	1	0	INIT[46]
1	0	1	1	1	1	INIT[47]
1	1	0	0	0	0	INIT[48]
1	1	0	0	0	1	INIT[49]
1	1	0	0	1	0	INIT[50]
1	1	0	0	1	1	INIT[51]
1	1	0	1	0	0	INIT[52]
1	1	0	1	0	1	INIT[53]
1	1	0	1	1	0	INIT[54]
1	1	0	1	1	1	INIT[55]
1	1	1	0	0	0	INIT[56]
1	1	1	0	0	1	INIT[57]
1	1	1	0	1	0	INIT[58]
1	1	1	0	1	1	INIT[59]
1	1	1	1	0	0	INIT[60]
1	1	1	1	0	1	INIT[61]
1	1	1	1	1	0	INIT[62]
1	1	1	1	1	1	INIT[63]

INIT = Binary equivalent of the hexadecimal number assigned to the INIT attribute

Port Description

Name	Direction	Width	Function
O	Output	1	6/5-LUT output
I0, I1, I2, I3, I4, I5	Input	1	LUT inputs

Design Entry Method

Instantiation	Yes
Inference	Recommended
Coregen and wizards	No
Macro support	No

Available Attributes

Attribute	Type	Allowed Values	Default	Description
INIT	Hexadecimal	Any 64-Bit Value	All zeros	Specifies the logic value for the look-up tables.

VHDL Instantiation Template

Unless they already exist, copy the following two statements and paste them before the entity declaration.

```
Library UNISIM;
use UNISIM.vcomponents.all;

-- LUT6: 6-input Look-Up Table with general output
--      Virtex-5
-- Xilinx HDL Libraries Guide, version 10.1.2

LUT6_inst : LUT6
generic map (
INIT => X"0000000000000000") -- Specify LUT Contents
port map (
O => O, -- LUT general output
I0 => I0, -- LUT input
I1 => I1, -- LUT input
I2 => I2, -- LUT input
I3 => I3, -- LUT input
I4 => I4, -- LUT input
I5 => I5 -- LUT input
);

-- End of LUT6_inst instantiation
```

Verilog Instantiation Template

```
// LUT6: 6-input Look-Up Table with general output
//      Virtex-5
// Xilinx HDL Libraries Guide, version 10.1.2

LUT6 #(
.INIT(64'h0000000000000000) // Specify LUT Contents
) LUT6_inst (
.O(O), // LUT general output
.I0(I0), // LUT input
.I1(I1), // LUT input
.I2(I2), // LUT input
.I3(I3), // LUT input
.I4(I4), // LUT input
.I5(I5) // LUT input
);

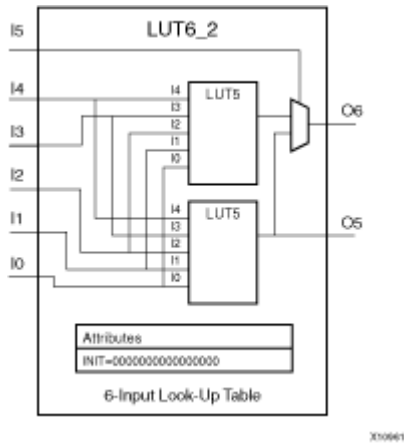
// End of LUT6_inst instantiation
```

For More Information

- See the [Virtex-5 User Guide](#).
- See the [Virtex-5 Data Sheets](#).

LUT6_2

Primitive: Six-input, 2-output, Look-Up-Table



Introduction

This design element is a six-input, two-output Look-Up Table (LUT) that can either act as a dual asynchronous 32-bit ROM (with 5-bit addressing), implement any two 5-input logic functions with shared inputs, or implement a 6-input logic function and a 5-input logic function with shared inputs and shared logic values. LUTs are the basic logic building blocks and are used to implement most logic functions of the design. A LUT6_2 will be mapped to one of the four look-up tables in the Virtex®-5 slice.

An INIT attribute consisting of a 64-bit hexadecimal value must be specified to indicate the LUTs logical function. The INIT value is calculated by assigning a 1 to corresponding INIT bit value when the associated inputs are applied. For instance, a Verilog INIT value of 64'hffffffffffffe (X"FFFFFFFFFFFFFFFE" for VHDL) will make the O6 output 1 unless all zeros are on the inputs and the O5 output a 1, or unless I[4:0] are all zeroes (a 5-input and 6-input OR gate). The lower half (bits 31:0) of the INIT values apply to the logic function of the O5 output.

The INIT parameter for the FPGA LUT primitive is what gives the LUT its logical value. By default, this value is zero, thus driving the output to a zero regardless of the input values (acting as a ground). However, in most cases a new INIT value must be determined in order to specify the logic function for the LUT primitive. There are at least two methods by which the LUT value can be determined:

The Logic Table Method -A common method to determine the desired INIT value for a LUT is using a logic table. To do so, simply create a binary truth table of all possible inputs, specify the desired logic value of the output and then create the INIT string from those output values.

The Equation Method -Another method to determine the LUT value is to define parameters for each input to the LUT that correspond to their listed truth value and use those to build the logic equation you are after. This method is easier to understand once you have grasped the concept and more self-documenting than the above method however does require the code to first specify the appropriate parameters.

Logic Table

Inputs						Outputs	
I5	I4	I3	I2	I1	I0	O5	O6
0	0	0	0	0	0	INIT[0]	INIT[0]
0	0	0	0	0	1	INIT[1]	INIT[1]
0	0	0	0	1	0	INIT[2]	INIT[2]

Inputs						Outputs	
0	0	0	0	1	1	INIT[3]	INIT[3]
0	0	0	1	0	0	INIT[4]	INIT[4]
0	0	0	1	0	1	INIT[5]	INIT[5]
0	0	0	1	1	0	INIT[6]	INIT[6]
0	0	0	1	1	1	INIT[7]	INIT[7]
0	0	1	0	0	0	INIT[8]	INIT[8]
0	0	1	0	0	1	INIT[9]	INIT[9]
0	0	1	0	1	0	INIT[10]	INIT[10]
0	0	1	0	1	1	INIT[11]	INIT[11]
0	0	1	1	0	0	INIT[12]	INIT[12]
0	0	1	1	0	1	INIT[13]	INIT[13]
0	0	1	1	1	0	INIT[14]	INIT[14]
0	0	1	1	1	1	INIT[15]	INIT[15]
0	1	0	0	0	0	INIT[16]	INIT[16]
0	1	0	0	0	1	INIT[17]	INIT[17]
0	1	0	0	1	0	INIT[18]	INIT[18]
0	1	0	0	1	1	INIT[19]	INIT[19]
0	1	0	1	0	0	INIT[20]	INIT[20]
0	1	0	1	0	1	INIT[21]	INIT[21]
0	1	0	1	1	0	INIT[22]	INIT[22]
0	1	0	1	1	1	INIT[23]	INIT[23]
0	1	1	0	0	0	INIT[24]	INIT[24]
0	1	1	0	0	1	INIT[25]	INIT[25]
0	1	1	0	1	0	INIT[26]	INIT[26]
0	1	1	0	1	1	INIT[27]	INIT[27]
0	1	1	1	0	0	INIT[28]	INIT[28]
0	1	1	1	0	1	INIT[29]	INIT[29]
0	1	1	1	1	0	INIT[30]	INIT[30]
0	1	1	1	1	1	INIT[31]	INIT[31]
1	0	0	0	0	0	INIT[32]	INIT[32]
1	0	0	0	0	1	INIT[33]	INIT[33]
1	0	0	0	1	0	INIT[34]	INIT[34]
1	0	0	0	1	1	INIT[35]	INIT[35]
1	0	0	1	0	0	INIT[36]	INIT[36]
1	0	0	1	0	1	INIT[37]	INIT[37]
1	0	0	1	1	0	INIT[38]	INIT[38]
1	0	0	1	1	1	INIT[39]	INIT[39]
1	0	1	0	0	0	INIT[40]	INIT[40]
1	0	1	0	0	1	INIT[41]	INIT[41]

Inputs						Outputs	
1	0	1	0	1	0	INIT[42]	INIT[42]
1	0	1	0	1	1	INIT[43]	INIT[43]
1	0	1	1	0	0	INIT[44]	INIT[44]
1	0	1	1	0	1	INIT[45]	INIT[45]
1	0	1	1	1	0	INIT[46]	INIT[46]
1	0	1	1	1	1	INIT[47]	INIT[47]
1	1	0	0	0	0	INIT[48]	INIT[48]
1	1	0	0	0	1	INIT[49]	INIT[49]
1	1	0	0	1	0	INIT[50]	INIT[50]
1	1	0	0	1	1	INIT[51]	INIT[51]
1	1	0	1	0	0	INIT[52]	INIT[52]
1	1	0	1	0	1	INIT[53]	INIT[53]
1	1	0	1	1	0	INIT[54]	INIT[54]
1	1	0	1	1	1	INIT[55]	INIT[55]
1	1	1	0	0	0	INIT[56]	INIT[56]
1	1	1	0	0	1	INIT[57]	INIT[57]
1	1	1	0	1	0	INIT[58]	INIT[58]
1	1	1	0	1	1	INIT[59]	INIT[59]
1	1	1	1	0	0	INIT[60]	INIT[60]
1	1	1	1	0	1	INIT[61]	INIT[61]
1	1	1	1	1	0	INIT[62]	INIT[62]
1	1	1	1	1	1	INIT[63]	INIT[63]

INIT = Binary equivalent of the hexadecimal number assigned to the INIT attribute

Port Descriptions

Port	Direction	Width	Function
O6	Output	1	6/5-LUT output
O5	Output	1	5-LUT output
I0, I1, I2, I3, I4, I5	Input	1	LUT inputs

Design Entry Method

Instantiation	Yes
Inference	Recommended
Coregen and wizards	No
Macro support	No

Available Attributes

Attribute	Type	Allowed Values	Default	Description
INIT	Hexadecimal	Any 64-Bit Value	All zeros	Specifies the LUT5/6 output function.

VHDL Instantiation Template

Unless they already exist, copy the following two statements and paste them before the entity declaration.

```
Library UNISIM;
use UNISIM.vcomponents.all;

-- LUT6_2: 6-input 2 output Look-Up Table
--           Virtex-5
-- Xilinx HDL Libraries Guide, version 10.1.2

LUT6_2_inst : LUT6_2
generic map (
INIT => X"0000000000000000") -- Specify LUT Contents
port map (
O6 => O6, -- 6/5-LUT output (1-bit)
O5 => O5, -- 5-LUT output (1-bit)
I0 => I0, -- LUT input (1-bit)
I1 => I1, -- LUT input (1-bit)
I2 => I2, -- LUT input (1-bit)
I3 => I3, -- LUT input (1-bit)
I4 => I4, -- LUT input (1-bit)
I5 => I5  -- LUT input (1-bit)
);

-- End of LUT6_2_inst instantiation
```

Verilog Instantiation Template

```
// LUT6_2: 6-input, 2 output Look-Up Table
//           Virtex-5
// Xilinx HDL Libraries Guide, version 10.1.2

LUT6_2 #(
.INIT(64'h0000000000000000) // Specify LUT Contents
) LUT6_2_inst (
.O6(O6), // 6/5-LUT output (1-bit)
.O5(O5), // 5-LUT output (1-bit)
.I0(I0), // LUT input (1-bit)
.I1(I1), // LUT input (1-bit)
.I2(I2), // LUT input (1-bit)
.I3(I3), // LUT input (1-bit)
.I4(I4), // LUT input (1-bit)
.I5(I5) // LUT input (1-bit)
);

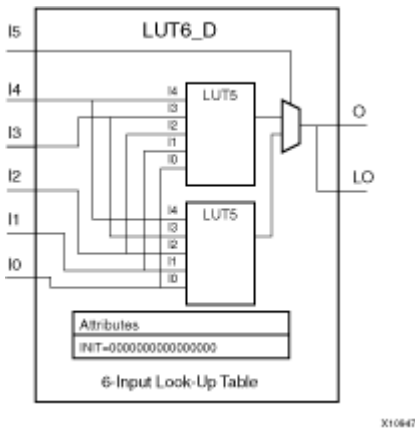
// End of LUT6_2_inst instantiation
```

For More Information

- See the [Virtex-5 User Guide](#).
- See the [Virtex-5 Data Sheets](#).

LUT6_D

Primitive: 6-Input Lookup Table with Dual Outputs



Introduction

This design element is a six-input, one-output Look-Up Table that can either act as an asynchronous 64-bit ROM (with 6-bit addressing) or implement any 6-input logic function. LUTs are the basic logic building blocks and are used to implement most logic functions of the design. A LUT6 will be mapped to one of the four look-up tables in the Virtex-5 slice. The functionality of the LUT6, LUT6_L and LUT6_D is the same. However, the LUT6_L and LUT6_D allow the additional specification to connect the LUT6 output signal to an internal slice, or CLB connection, using the LO output. The LUT6_L specifies that the only connections from the LUT6 will be within a slice, or CLB, while the LUT6_D allows the specification to connect the output of the LUT to both inter-slice/CLB logic and external logic as well. The LUT6 does not state any specific output connections and should be used in all cases except where internal slice or CLB signal connections must be implicitly specified.

An INIT attribute consisting of a 64-bit Hexadecimal value must be specified to indicate the LUTs logical function. The INIT value is calculated by assigning a 1 to corresponding INIT bit value when the associated inputs are applied. For instance, a Verilog INIT value of 64'h8000000000000000 (X"8000000000000000" for VHDL) will make the output zero unless all of the inputs are one (a 6-input AND gate). A Verilog INIT value of 64'hfffffffffffffe (X"FFFFFFFFFFFFFFFE" for VHDL) will make the output one unless all zeros are on the inputs (a 6-input OR gate).

The INIT parameter for the FPGA LUT primitive is what gives the LUT its logical value. By default, this value is zero, thus driving the output to a zero regardless of the input values (acting as a ground). However, in most cases a new INIT value must be determined in order to specify the logic function for the LUT primitive. There are at least two methods by which the LUT value can be determined:

The Logic Table Method -A common method to determine the desired INIT value for a LUT is using a logic table. To do so, simply create a binary truth table of all possible inputs, specify the desired logic value of the output and then create the INIT string from those output values.

The Equation Method -Another method to determine the LUT value is to define parameters for each input to the LUT that correspond to their listed truth value and use those to build the logic equation you are after. This method is easier to understand once you have grasped the concept and more self-documenting than the above method however does require the code to first specify the appropriate parameters.

Logic Table

Inputs						Outputs	
I5	I4	I3	I2	I1	I0	O	LO

Inputs						Outputs	
0	0	0	0	0	0	INIT[0]	INIT[0]
0	0	0	0	0	1	INIT[1]	INIT[1]
0	0	0	0	1	0	INIT[2]	INIT[2]
0	0	0	0	1	1	INIT[3]	INIT[3]
0	0	0	1	0	0	INIT[4]	INIT[4]
0	0	0	1	0	1	INIT[5]	INIT[5]
0	0	0	1	1	0	INIT[6]	INIT[6]
0	0	0	1	1	1	INIT[7]	INIT[7]
0	0	1	0	0	0	INIT[8]	INIT[8]
0	0	1	0	0	1	INIT[9]	INIT[9]
0	0	1	0	1	0	INIT[10]	INIT[10]
0	0	1	0	1	1	INIT[11]	INIT[11]
0	0	1	1	0	0	INIT[12]	INIT[12]
0	0	1	1	0	1	INIT[13]	INIT[13]
0	0	1	1	1	0	INIT[14]	INIT[14]
0	0	1	1	1	1	INIT[15]	INIT[15]
0	1	0	0	0	0	INIT[16]	INIT[16]
0	1	0	0	0	1	INIT[17]	INIT[17]
0	1	0	0	1	0	INIT[18]	INIT[18]
0	1	0	0	1	1	INIT[19]	INIT[19]
0	1	0	1	0	0	INIT[20]	INIT[20]
0	1	0	1	0	1	INIT[21]	INIT[21]
0	1	0	1	1	0	INIT[22]	INIT[22]
0	1	0	1	1	1	INIT[23]	INIT[23]
0	1	1	0	0	0	INIT[24]	INIT[24]
0	1	1	0	0	1	INIT[25]	INIT[25]
0	1	1	0	1	0	INIT[26]	INIT[26]
0	1	1	0	1	1	INIT[27]	INIT[27]
0	1	1	1	0	0	INIT[28]	INIT[28]
0	1	1	1	0	1	INIT[29]	INIT[29]
0	1	1	1	1	0	INIT[30]	INIT[30]
0	1	1	1	1	1	INIT[31]	INIT[31]
1	0	0	0	0	0	INIT[32]	INIT[32]
1	0	0	0	0	1	INIT[33]	INIT[33]
1	0	0	0	1	0	INIT[34]	INIT[34]
1	0	0	0	1	1	INIT[35]	INIT[35]
1	0	0	1	0	0	INIT[36]	INIT[36]
1	0	0	1	0	1	INIT[37]	INIT[37]
1	0	0	1	1	0	INIT[38]	INIT[38]

Inputs						Outputs	
1	0	0	1	1	1	INIT[39]	INIT[39]
1	0	1	0	0	0	INIT[40]	INIT[40]
1	0	1	0	0	1	INIT[41]	INIT[41]
1	0	1	0	1	0	INIT[42]	INIT[42]
1	0	1	0	1	1	INIT[43]	INIT[43]
1	0	1	1	0	0	INIT[44]	INIT[44]
1	0	1	1	0	1	INIT[45]	INIT[45]
1	0	1	1	1	0	INIT[46]	INIT[46]
1	0	1	1	1	1	INIT[47]	INIT[47]
1	1	0	0	0	0	INIT[48]	INIT[48]
1	1	0	0	0	1	INIT[49]	INIT[49]
1	1	0	0	1	0	INIT[50]	INIT[50]
1	1	0	0	1	1	INIT[51]	INIT[51]
1	1	0	1	0	0	INIT[52]	INIT[52]
1	1	0	1	0	1	INIT[53]	INIT[53]
1	1	0	1	1	0	INIT[54]	INIT[54]
1	1	0	1	1	1	INIT[55]	INIT[55]
1	1	1	0	0	0	INIT[56]	INIT[56]
1	1	1	0	0	1	INIT[57]	INIT[57]
1	1	1	0	1	0	INIT[58]	INIT[58]
1	1	1	0	1	1	INIT[59]	INIT[59]
1	1	1	1	0	0	INIT[60]	INIT[60]
1	1	1	1	0	1	INIT[61]	INIT[61]
1	1	1	1	1	0	INIT[62]	INIT[62]
1	1	1	1	1	1	INIT[63]	INIT[63]

INIT = Binary equivalent of the hexadecimal number assigned to the INIT attribute

Port Description

Name	Direction	Width	Function
O6	Output	1	6/5-LUT output
O5	Output	1	5-LUT output
I0, I1, I2, I3, I4, I5	Input	1	LUT inputs

Design Entry Method

Instantiation	Yes
Inference	Recommended

Coregen and wizards	No
Macro support	No

Available Attributes

Attribute	Type	Allowed Values	Default	Description
INIT	Hexadecimal	Any 64-Bit Value	All zeros	Specifies the logic value for the look-up tables.

VHDL Instantiation Template

Unless they already exist, copy the following two statements and paste them before the entity declaration.

```
Library UNISIM;
use UNISIM.vcomponents.all;

-- LUT6: 6-input Look-Up Table with general output
--       Virtex-5
-- Xilinx HDL Libraries Guide, version 10.1.2

LUT6_inst : LUT6
generic map (
INIT => X"0000000000000000") -- Specify LUT Contents
port map (
O => O, -- LUT general output
I0 => I0, -- LUT input
I1 => I1, -- LUT input
I2 => I2, -- LUT input
I3 => I3, -- LUT input
I4 => I4, -- LUT input
I5 => I5 -- LUT input
);

-- End of LUT6_inst instantiation
```

Verilog Instantiation Template

```
// LUT6: 6-input Look-Up Table with general output
//       Virtex-5
// Xilinx HDL Libraries Guide, version 10.1.2

LUT6 #(
.INIT(64'h0000000000000000) // Specify LUT Contents
) LUT6_inst (
.O(O), // LUT general output
.I0(I0), // LUT input
.I1(I1), // LUT input
.I2(I2), // LUT input
.I3(I3), // LUT input
.I4(I4), // LUT input
.I5(I5) // LUT input
);

// End of LUT6_inst instantiation
```

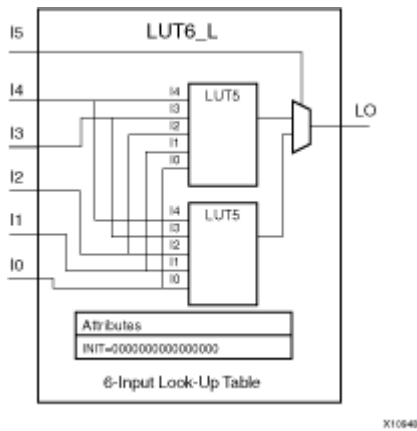
For More Information

- See the [Virtex-5 User Guide](#).

- See the [Virtex-5 Data Sheets](#).

LUT6_L

Primitive: 6-Input Lookup Table with Local Output



Introduction

This design element is a six-input, one-output Look-Up Table that can either act as an asynchronous 64-bit ROM (with 6-bit addressing) or implement any 6-input logic function. LUTs are the basic logic building blocks and are used to implement most logic functions of the design. A LUT6 will be mapped to one of the four look-up tables in the Virtex-5 slice. The functionality of the LUT6, LUT6_L and LUT6_D is the same. However, the LUT6_L and LUT6_D allow the additional specification to connect the LUT6 output signal to an internal slice, or CLB connection, using the LO output. The LUT6_L specifies that the only connections from the LUT6 will be within a slice, or CLB, while the LUT6_D allows the specification to connect the output of the LUT to both inter-slice/CLB logic and external logic as well. The LUT6 does not state any specific output connections and should be used in all cases except where internal slice or CLB signal connections must be implicitly specified.

An INIT attribute consisting of a 64-bit Hexadecimal value must be specified to indicate the LUTs logical function. The INIT value is calculated by assigning a 1 to corresponding INIT bit value when the associated inputs are applied. For instance, a Verilog INIT value of `64'h8000000000000000` (`X"8000000000000000"` for VHDL) will make the output zero unless all of the inputs are one (a 6-input AND gate). A Verilog INIT value of `64'hfffffffffffffe` (`X"FFFFFFFFFFFFFFFE"` for VHDL) will make the output one unless all zeros are on the inputs (a 6-input OR gate).

The INIT parameter for the FPGA LUT primitive is what gives the LUT its logical value. By default, this value is zero, thus driving the output to a zero regardless of the input values (acting as a ground). However, in most cases a new INIT value must be determined in order to specify the logic function for the LUT primitive. There are at least two methods by which the LUT value can be determined:

The Logic Table Method -A common method to determine the desired INIT value for a LUT is using a logic table. To do so, simply create a binary truth table of all possible inputs, specify the desired logic value of the output and then create the INIT string from those output values.

The Equation Method -Another method to determine the LUT value is to define parameters for each input to the LUT that correspond to their listed truth value and use those to build the logic equation you are after. This method is easier to understand once you have grasped the concept and more self-documenting than the above method however does require the code to first specify the appropriate parameters.

Logic Table

Inputs						Outputs
I5	I4	I3	I2	I1	I0	LO

Inputs						Outputs
0	0	0	0	0	0	INIT[0]
0	0	0	0	0	1	INIT[1]
0	0	0	0	1	0	INIT[2]
0	0	0	0	1	1	INIT[3]
0	0	0	1	0	0	INIT[4]
0	0	0	1	0	1	INIT[5]
0	0	0	1	1	0	INIT[6]
0	0	0	1	1	1	INIT[7]
0	0	1	0	0	0	INIT[8]
0	0	1	0	0	1	INIT[9]
0	0	1	0	1	0	INIT[10]
0	0	1	0	1	1	INIT[11]
0	0	1	1	0	0	INIT[12]
0	0	1	1	0	1	INIT[13]
0	0	1	1	1	0	INIT[14]
0	0	1	1	1	1	INIT[15]
0	1	0	0	0	0	INIT[16]
0	1	0	0	0	1	INIT[17]
0	1	0	0	1	0	INIT[18]
0	1	0	0	1	1	INIT[19]
0	1	0	1	0	0	INIT[20]
0	1	0	1	0	1	INIT[21]
0	1	0	1	1	0	INIT[22]
0	1	0	1	1	1	INIT[23]
0	1	1	0	0	0	INIT[24]
0	1	1	0	0	1	INIT[25]
0	1	1	0	1	0	INIT[26]
0	1	1	0	1	1	INIT[27]
0	1	1	1	0	0	INIT[28]
0	1	1	1	0	1	INIT[29]
0	1	1	1	1	0	INIT[30]
0	1	1	1	1	1	INIT[31]
1	0	0	0	0	0	INIT[32]
1	0	0	0	0	1	INIT[33]
1	0	0	0	1	0	INIT[34]
1	0	0	0	1	1	INIT[35]
1	0	0	1	0	0	INIT[36]
1	0	0	1	0	1	INIT[37]
1	0	0	1	1	0	INIT[38]

Inputs						Outputs
1	0	0	1	1	1	INIT[39]
1	0	1	0	0	0	INIT[40]
1	0	1	0	0	1	INIT[41]
1	0	1	0	1	0	INIT[42]
1	0	1	0	1	1	INIT[43]
1	0	1	1	0	0	INIT[44]
1	0	1	1	0	1	INIT[45]
1	0	1	1	1	0	INIT[46]
1	0	1	1	1	1	INIT[47]
1	1	0	0	0	0	INIT[48]
1	1	0	0	0	1	INIT[49]
1	1	0	0	1	0	INIT[50]
1	1	0	0	1	1	INIT[51]
1	1	0	1	0	0	INIT[52]
1	1	0	1	0	1	INIT[53]
1	1	0	1	1	0	INIT[54]
1	1	0	1	1	1	INIT[55]
1	1	1	0	0	0	INIT[56]
1	1	1	0	0	1	INIT[57]
1	1	1	0	1	0	INIT[58]
1	1	1	0	1	1	INIT[59]
1	1	1	1	0	0	INIT[60]
1	1	1	1	0	1	INIT[61]
1	1	1	1	1	0	INIT[62]
1	1	1	1	1	1	INIT[63]

INIT = Binary equivalent of the hexadecimal number assigned to the INIT attribute

Port Description

Name	Direction	Width	Function
LO	Output	1	6/5-LUT output or internal CLB connection
I0, I1, I2, I3, I4, I5	Input	1	LUT inputs

Design Entry Method

Instantiation	Yes
Inference	Recommended
Coregen and wizards	No
Macro support	No

Available Attributes

Attribute	Type	Allowed Values	Default	Description
INIT	Hexadecimal	Any 64-Bit Value	All zeros	Specifies the logic value for the look-up tables.

VHDL Instantiation Template

Unless they already exist, copy the following two statements and paste them before the entity declaration.

```

Library UNISIM;
use UNISIM.vcomponents.all;

-- LUT6: 6-input Look-Up Table with general output
--       Virtex-5
-- Xilinx HDL Libraries Guide, version 10.1.2

LUT6_inst : LUT6
generic map (
INIT => X"0000000000000000") -- Specify LUT Contents
port map (
O => O, -- LUT general output
I0 => I0, -- LUT input
I1 => I1, -- LUT input
I2 => I2, -- LUT input
I3 => I3, -- LUT input
I4 => I4, -- LUT input
I5 => I5 -- LUT input
);

-- End of LUT6_inst instantiation
    
```

Verilog Instantiation Template

```

// LUT6: 6-input Look-Up Table with general output
//       Virtex-5
// Xilinx HDL Libraries Guide, version 10.1.2

LUT6 #(
.INIT(64'h0000000000000000) // Specify LUT Contents
) LUT6_inst (
.O(O), // LUT general output
.I0(I0), // LUT input
.I1(I1), // LUT input
.I2(I2), // LUT input
.I3(I3), // LUT input
.I4(I4), // LUT input
.I5(I5) // LUT input
);

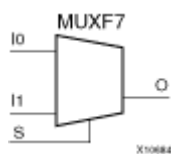
// End of LUT6_inst instantiation
    
```

For More Information

- See the [Virtex-5 User Guide](#).
- See the [Virtex-5 Data Sheets](#).

MUXF7

Primitive: 2-to-1 Look-Up Table Multiplexer with General Output



Introduction

This design element provides a multiplexer function for use in creating a function-of-7 Look-Up Table or a 16-to-1 multiplexer in combination with the associated Look-Up Tables. Local outputs (LO) of MUXF6 are connected to the I0 and I1 inputs of the MUXF7. The (S) input is driven from any internal net. When Low, (S) selects I0. When High, (S) selects I1.

The variants, "MUXF7_D" and "MUXF7_L", provide additional types of outputs that can be used by different timing models for more accurate pre-layout timing estimation.

Logic Table

Inputs			Outputs
S	I0	I1	O
0	I0	X	I0
1	X	I1	I1
X	0	0	0
X	1	1	1

Port Descriptions

Port	Direction	Width	Function
O	Output	1	Output of MUX to general routing
I0	Input	1	Input (tie to MUXF6 LO out)
I1	Input	1	Input (tie to MUXF6 LO out)
S	Input	1	Input select to MUX

Design Entry Method

Instantiation	Yes
Inference	Recommended
Coregen and wizards	No
Macro support	No

VHDL Instantiation Template

Unless they already exist, copy the following two statements and paste them before the entity declaration.

```
Library UNISIM;
use UNISIM.vcomponents.all;

-- MUXF7: CLB MUX to tie two MUXF6's together with general output
-- Virtex-II/II-Pro/4/5 and Spartan-3/3E/3A
-- Xilinx HDL Libraries Guide, version 10.1.2

MUXF7_inst : MUXF7
port map (
O => O,    -- Output of MUX to general routing
I0 => I0,  -- Input (tie to MUXF6 LO out)
I1 => I1,  -- Input (tie to MUXF6 LO out)
S => S    -- Input select to MUX
);

-- End of MUXF7_inst instantiation
```

Verilog Instantiation Template

```
// MUXF7: CLB MUX to tie two LUT6's or MUXF6's together with general output
//      For use with Virtex-II/II-Pro/4/5 and Spartan-3/3E/3A
// Xilinx HDL Libraries Guide, version 10.1.2

MUXF7 MUXF7_inst (
.O(O),    // Output of MUX to general routing
.I0(I0), // Input (tie to MUXF6 LO out)
.I1(I1), // Input (tie to MUXF6 LO out)
.S(S)    // Input select to MUX
);

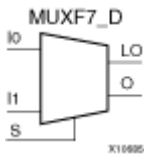
// End of MUXF7_inst instantiation
```

For More Information

- See the [Virtex-5 User Guide](#).
- See the [Virtex-5 Data Sheets](#).

MUXF7_D

Primitive: 2-to-1 Look-Up Table Multiplexer with Dual Output



Introduction

This design element provides a multiplexer function for use in creating a function-of-7 Look-Up Table or a 16-to-1 multiplexer in combination with the associated Look-Up Tables. Local outputs (LO) of MUXF6 are connected to the I0 and I1 inputs of the MUXF7. The S input is driven from any internal net. When Low, (S) selects I0. When High, (S) selects I1.

Outputs O and LO are functionally identical. The O output is a general interconnect. The LO output connects to other inputs in the same CLB slice.

Logic Table

Inputs			Outputs	
S	I0	I1	O	LO
0	I0	X	I0	I0
1	X	I1	I1	I1
X	0	0	0	0
X	1	1	1	1

Port Descriptions

Port	Direction	Width	Function
O	Output	1	Output of MUX to general routing
LO	Output	1	Output of MUX to local routing
I0	Input	1	Input (tie to MUXF6 LO out)
I1	Input	1	Input (tie to MUXF6 LO out)
S	Input	1	Input select to MUX

Design Entry Method

Instantiation	Yes
Inference	Recommended
Coregen and wizards	No
Macro support	No

VHDL Instantiation Template

Unless they already exist, copy the following two statements and paste them before the entity declaration.

```
Library UNISIM;
use UNISIM.vcomponents.all;

-- MUXF7_D: CLB MUX to tie two MUXF6's together with general and local outputs
-- Virtex-II/II-Pro/4/5 and Spartan-3/3E/3A
-- Xilinx HDL Libraries Guide, version 10.1.2

MUXF7_D_inst : MUXF7_D
port map (
LO => LO, -- Ouptut of MUX to local routing
O => O, -- Output of MUX to general routing
I0 => I0, -- Input (tie to MUXF6 LO out)
I1 => I1, -- Input (tie to MUXF6 LO out)
S => S -- Input select to MUX
);

-- End of MUXF7_D_inst instantiation
```

Verilog Instantiation Template

```
// MUXF7_D: CLB MUX to tie two LUT6's or MUXF6's together with general and local outputs
// For use with Virtex-II/II-Pro/4/5 and Spartan-3/3E/3A
// Xilinx HDL Libraries Guide, version 10.1.2

MUXF7_D MUXF7_D_inst (
.LO(LO), // Ouptut of MUX to local routing
.O(O), // Output of MUX to general routing
.I0(I0), // Input (tie to MUXF6 LO out)
.I1(I1), // Input (tie to MUXF6 LO out)
.S(S) // Input select to MUX
);

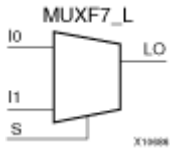
// End of MUXF7_D_inst instantiation
```

For More Information

- See the [Virtex-5 User Guide](#).
- See the [Virtex-5 Data Sheets](#).

MUXF7_L

Primitive: 2-to-1 Look-Up Table Multiplexer with Local Output



Introduction

This design element provides a multiplexer function for use in creating a function-of-7 Look-Up Table or a 16-to-1 multiplexer in combination with the associated Look-Up Tables. Local outputs (LO) of MUXF6 are connected to the I0 and I1 inputs of the MUXF7. The S input is driven from any internal net. When Low, (S) selects I0. When High, (S) selects I1.

The LO output connects to other inputs in the same CLB slice.

Logic Table

Inputs			Output
S	I0	I1	LO
0	I0	X	I0
1	X	I1	I1
X	0	0	0
X	1	1	1

Port Descriptions

Port	Direction	Width	Function
LO	Output	1	Output of MUX to local routing
I0	Input	1	Input (tie to MUXF6 LO out)
I1	Input	1	Input (tie to MUXF6 LO out)
S	Input	1	Input select to MUX

Design Entry Method

Instantiation	Yes
Inference	Recommended
Coregen and wizards	No
Macro support	No

VHDL Instantiation Template

Unless they already exist, copy the following two statements and paste them before the entity declaration.

```
Library UNISIM;
use UNISIM.vcomponents.all;

-- MUXF7_L: CLB MUX to tie two MUXF6's together with local output
-- Virtex-II/II-Pro/4/5 and Spartan-3/3E/3A
-- Xilinx HDL Libraries Guide, version 10.1.2

MUXF7_L_inst : MUXF7_L
port map (
LO => LO, -- Output of MUX to local routing
IO => IO, -- Input (tie to MUXF6 LO out)
I1 => I1, -- Input (tie to MUXF6 LO out)
S => S    -- Input select to MUX
);

-- End of MUXF7_L_inst instantiation
```

Verilog Instantiation Template

```
// MUXF7_L: CLB MUX to tie two LUT6's or MUXF6's together with local output
//           For use with Virtex-II/II-Pro/4/5 and Spartan-3/3E/3A
// Xilinx HDL Libraries Guide, version 10.1.2

MUXF7_L MUXF7_L_inst (
.LO(LO), // Output of MUX to local routing
.I0(IO), // Input (tie to MUXF6 LO out)
.I1(I1), // Input (tie to MUXF6 LO out)
.S(S)    // Input select to MUX
);

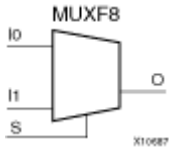
// End of MUXF7_L_inst instantiation
```

For More Information

- See the [Virtex-5 User Guide](#).
- See the [Virtex-5 Data Sheets](#).

MUXF8

Primitive: 2-to-1 Look-Up Table Multiplexer with General Output



Introduction

This design element provides a multiplexer function in eight slices for creating a function-of-8 Look-Up Table or a 32-to-1 multiplexer in combination with the associated Look-Up Tables, MUXF5s, MUXF6s, and MUXF7s. Local outputs (LO) of MUXF7 are connected to the I0 and I1 inputs of the MUXF8. The S input is driven from any internal net. When Low, (S) selects I0. When High, (S) selects I1.

Logic Table

Inputs			Outputs
S	I0	I1	O
0	I0	X	I0
1	X	I1	I1
X	0	0	0
X	1	1	1

Port Descriptions

Port	Direction	Width	Function
O	Output	1	Output of MUX to general routing
I0	Input	1	Input (tie to MUXF7 LO out)
I1	Input	1	Input (tie to MUXF7 LO out)
S	Input	1	Input select to MUX

Design Entry Method

Instantiation	Yes
Inference	Recommended
Coregen and wizards	No
Macro support	No

VHDL Instantiation Template

Unless they already exist, copy the following two statements and paste them before the entity declaration.

```
Library UNISIM;
use UNISIM.vcomponents.all;

-- MUXF8: CLB MUX to tie two MUXF7's together with general output
-- Virtex-II/II-Pro/4/5 and Spartan-3/3E/3A
-- Xilinx HDL Libraries Guide, version 10.1.2

MUXF8_inst : MUXF8
port map (
O => O,    -- Output of MUX to general routing
I0 => I0,  -- Input (tie to MUXF7 LO out)
I1 => I1,  -- Input (tie to MUXF7 LO out)
S => S    -- Input select to MUX
);

-- End of MUXF8_inst instantiation
```

Verilog Instantiation Template

```
// MUXF8: CLB MUX to tie two MUXF7's together with general output
//      For use with Virtex-II/II-Pro/4/5 and Spartan-3/3E/3A
// Xilinx HDL Libraries Guide, version 10.1.2

MUXF8 MUXF8_inst (
.O(O),    // Output of MUX to general routing
.I0(I0),  // Input (tie to MUXF7 LO out)
.I1(I1),  // Input (tie to MUXF7 LO out)
.S(S)     // Input select to MUX
);

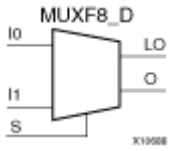
// End of MUXF8_inst instantiation
```

For More Information

- See the [Virtex-5 User Guide](#).
- See the [Virtex-5 Data Sheets](#).

MUXF8_D

Primitive: 2-to-1 Look-Up Table Multiplexer with Dual Output



Introduction

This design element provides a multiplexer function in eight slices for creating a function-of-8 Look-Up Table or a 32-to-1 multiplexer in combination with the associated four Look-Up Tables and two MUXF8s. Local outputs (LO) of MUXF7 are connected to the I0 and I1 inputs of the MUXF8. The S input is driven from any internal net. When Low, (S) selects I0. When High, (S) selects I1.

Outputs O and LO are functionally identical. The O output is a general interconnect. The LO output connects to other inputs in the same CLB slice.

Logic Table

Inputs			Outputs	
S	I0	I1	O	LO
0	I0	X	I0	I0
1	X	I1	I1	I1
X	0	0	0	0
X	1	1	1	1

Port Descriptions

Port	Direction	Width	Function
O	Output	1	Output of MUX to general routing
LO	Output	1	Output of MUX to local routing
I0	Input	1	Input (tie to MUXF7 LO out)
I1	Input	1	Input (tie to MUXF7 LO out)
S	Input	1	Input select to MUX

Design Entry Method

Instantiation	Yes
Inference	Recommended
Coregen and wizards	No
Macro support	No

VHDL Instantiation Template

Unless they already exist, copy the following two statements and paste them before the entity declaration.

```
Library UNISIM;
use UNISIM.vcomponents.all;

-- MUXF8_D: CLB MUX to tie two MUXF7's together with general and local outputs
-- Virtex-II/II-Pro/4/5 and Spartan-3/3E/3A
-- Xilinx HDL Libraries Guide, version 10.1.2

MUXF8_D_inst : MUXF8_D
port map (
LO => LO, -- Ouptut of MUX to local routing
O => O, -- Output of MUX to general routing
I0 => I0, -- Input (tie to MUXF7 LO out)
I1 => I1, -- Input (tie to MUXF7 LO out)
S => S -- Input select to MUX
);

-- End of MUXF8_D_inst instantiation
```

Verilog Instantiation Template

```
// MUXF8_D: CLB MUX to tie two MUXF7's together with general and local outputs
// For use with Virtex-II/II-Pro/4/5 and Spartan-3/3E/3A
// Xilinx HDL Libraries Guide, version 10.1.2

MUXF8_D MUXF8_D_inst (
.LO(LO), // Ouptut of MUX to local routing
.O(O), // Output of MUX to general routing
.I0(I0), // Input (tie to MUXF7 LO out)
.I1(I1), // Input (tie to MUXF7 LO out)
.S(S) // Input select to MUX
);

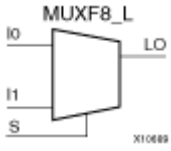
// End of MUXF8_D_inst instantiation
```

For More Information

- See the [Virtex-5 User Guide](#).
- See the [Virtex-5 Data Sheets](#).

MUXF8_L

Primitive: 2-to-1 Look-Up Table Multiplexer with Local Output



Introduction

This design element provides a multiplexer function in eight slices for creating a function-of-8 Look-Up Table or a 32-to-1 multiplexer in combination with the associated four Look-Up Tables and two MUXF8s. Local outputs (LO) of MUXF7 are connected to the I0 and I1 inputs of the MUXF8. The S input is driven from any internal net. When Low, (S) selects I0. When High, (S) selects I1.

The LO output connects to other inputs in the same CLB slice.

Logic Table

Inputs			Output
S	I0	I1	LO
0	I0	X	I0
1	X	I1	I1
X	0	0	0
X	1	1	1

Port Descriptions

Port	Direction	Width	Function
LO	Output	1	Output of MUX to local routing
I0	Input	1	Input (tie to MUXF7 LO out)
I1	Input	1	Input (tie to MUXF7 LO out)
S	Input	1	Input select to MUX

Design Entry Method

Instantiation	Yes
Inference	Recommended
Coregen and wizards	No
Macro support	No

VHDL Instantiation Template

Unless they already exist, copy the following two statements and paste them before the entity declaration.

```
Library UNISIM;
use UNISIM.vcomponents.all;

-- MUXF8_L: CLB MUX to tie two MUXF7's together with local output
-- Virtex-II/II-Pro/4/5 and Spartan-3/3E/3A
-- Xilinx HDL Libraries Guide, version 10.1.2

MUXF8_L_inst : MUXF8_L
port map (
LO => LO, -- Output of MUX to local routing
IO => IO, -- Input (tie to MUXF7 LO out)
I1 => I1, -- Input (tie to MUXF7 LO out)
S => S    -- Input select to MUX
);

-- End of MUXF8_L_inst instantiation
```

Verilog Instantiation Template

```
// MUXF8_L: CLB MUX to tie two MUXF7's together with local output
//           For use with Virtex-II/II-Pro/4/5 and Spartan-3/3E/3A
// Xilinx HDL Libraries Guide, version 10.1.2

MUXF8_L MUXF8_L_inst (
.LO(LO), // Output of MUX to local routing
.I0(IO), // Input (tie to MUXF7 LO out)
.I1(I1), // Input (tie to MUXF7 LO out)
.S(S)    // Input select to MUX
);

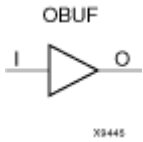
// End of MUXF8_L_inst instantiation
```

For More Information

- See the [Virtex-5 User Guide](#).
- See the [Virtex-5 Data Sheets](#).

OBUF

Primitive: Output Buffer



Introduction

This design element is a simple output buffer used to drive output signals to the FPGA device pins that do not need to be 3-stated (constantly driven). Either an OBUF, OBUFT, OBUFDS, or OBUFTDS must be connected to every output port in the design.

This element isolates the internal circuit and provides drive current for signals leaving a chip. It exists in input/output blocks (IOB). Its output (O) is connected to an OPAD or an IOPAD. The interface standard used by this element is LVTTTL. Also, this element has selectable drive and slew rates using the DRIVE and SLOW or FAST constraints. The defaults are DRIVE=12 mA and SLOW slew.

Port Descriptions

Port	Direction	Width	Function
O	Output	1	Output of OBUF to be connected directly to top-level output port.
I	Input	1	Input of OBUF. Connect to the logic driving the output port.

Design Entry Method

Instantiation	Yes
Inference	Recommended
Coregen and wizards	No
Macro support	No

Available Attributes

Attribute	Type	Allowed Values	Default	Description
DRIVE	Integer	2, 4, 6, 8, 12, 16, 24	12	Specifies the output current drive strength of the I/O. It is suggested that you set this to the lowest setting tolerable for the design drive and timing requirements.
IOSTANDARD	String	See Data Sheet	"DEFAULT"	Assigns an I/O standard to the element.
SLEW	String	"SLOW" or "FAST"	"SLOW"	Specifies the slew rate of the output driver. Consult the product Data Sheet for recommendations of the best setting for this attribute.

VHDL Instantiation Template

Unless they already exist, copy the following two statements and paste them before the entity declaration.

```
Library UNISIM;
use UNISIM.vcomponents.all;

-- OBUF: Single-ended Output Buffer
--     All devices
-- Xilinx HDL Libraries Guide, version 10.1.2

OBUF_inst : OBUF
generic map (
  DRIVE => 12,
  IOSTANDARD => "DEFAULT",
  SLEW => "SLOW")
port map (
  O => O,      -- Buffer output (connect directly to top-level port)
  I => I       -- Buffer input
);

-- End of OBUF_inst instantiation
```

Verilog Instantiation Template

```
// OBUF: Single-ended Output Buffer
//     All devices
// Xilinx HDL Libraries Guide, version 10.1.2

OBUF #(
  .DRIVE(12),      // Specify the output drive strength
  .IOSTANDARD("DEFAULT"), // Specify the output I/O standard
  .SLEW("SLOW") // Specify the output slew rate
) OBUF_inst (
  .O(O),          // Buffer output (connect directly to top-level port)
  .I(I)          // Buffer input
);

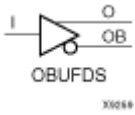
// End of OBUF_inst instantiation
```

For More Information

- See the [Virtex-5 User Guide](#).
- See the [Virtex-5 Data Sheets](#).

OBUFDS

Primitive: Differential Signaling Output Buffer



Introduction

This design element is a single output buffer that supports low-voltage, differential signaling (1.8 v CMOS). OBUFDS isolates the internal circuit and provides drive current for signals leaving the chip. Its output is represented as two distinct ports (O and OB), one deemed the "master" and the other the "slave." The master and the slave are opposite phases of the same logical signal (for example, MYNET and MYNETB).

Logic Table

Inputs		Outputs
I	O	OB
0	0	1
1	1	0

Port Descriptions

Port	Direction	Width	Function
O	Output	1	Diff_p output (connect directly to top level port)
OB	Input	1	Diff_n output (connect directly to top level port)
I	Input	1	Buffer input

Design Entry Method

Instantiation	Recommended
Inference	No
Coregen and wizards	No
Macro support	No

Available Attributes

Attribute	Type	Allowed Values	Default	Description
IOSTANDARD	String	See Data Sheet	"DEFAULT"	Assigns an I/O standard to the element.

VHDL Instantiation Template

Unless they already exist, copy the following two statements and paste them before the entity declaration.

```
Library UNISIM;
use UNISIM.vcomponents.all;

-- OBUFDS: Differential Output Buffer
--           Virtex-II/II-Pro, Spartan-3/3E/3A
-- Xilinx HDL Libraries Guide, version 10.1.2

OBUFDS_inst : OBUFDS
generic map (
  IOSTANDARD => "DEFAULT")
port map (
  O => O,      -- Diff_p output (connect directly to top-level port)
  OB => OB,    -- Diff_n output (connect directly to top-level port)
  I => I      -- Buffer input
);

-- End of OBUFDS_inst instantiation
```

Verilog Instantiation Template

```
// OBUFDS: Differential Output Buffer
//           Virtex-II/II-Pro/4/5, Spartan-3/3E/3A
// Xilinx HDL Libraries Guide, version 10.1.2

OBUFDS #(
  .IOSTANDARD("DEFAULT") // Specify the output I/O standard
) OBUFDS_inst (
  .O(O),      // Diff_p output (connect directly to top-level port)
  .OB(OB),   // Diff_n output (connect directly to top-level port)
  .I(I)      // Buffer input
);

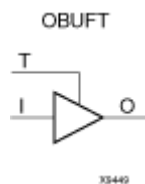
// End of OBUFDS_inst instantiation
```

For More Information

- See the [Virtex-5 User Guide](#).
- See the [Virtex-5 Data Sheets](#).

OBUFT

Primitive: 3-State Output Buffer with Active Low Output Enable



Introduction

This design element is a single, 3-state output buffer with input I, output O, and active-Low output enables (T). This element uses the LVTTTL standard and has selectable drive and slew rates using the DRIVE and SLOW or FAST constraints. The defaults are DRIVE=12 mA and SLOW slew.

When T is Low, data on the inputs of the buffers is transferred to the corresponding outputs. When T is High, the output is high impedance (off or Z state). OBUFTs are generally used when a single-ended output is needed with a 3-state capability, such as the case when building bidirectional I/O.

Logic Table

Inputs		Outputs
T	I	O
1	X	Z
0	I	F

Port Descriptions

Port	Direction	Width	Function
O	Output	1	Buffer output (connect directly to top-level port)
I	Input	1	Buffer input
T	Input	1	3-state enable input

Design Entry Method

Instantiation	Yes
Inference	Recommended
Coregen and wizards	No
Macro support	No

Available Attributes

Attribute	Type	Allowed Values	Default	Description
DRIVE	Integer	2, 4, 6, 8, 12, 16, 24	12	Specifies the output current drive strength of the I/O. It is suggested that you set this to the lowest setting tolerable for the design drive and timing requirements.
IOSTANDARD	String	See Data Sheet	"DEFAULT"	Assigns an I/O standard to the element.
SLEW	String	"SLOW" or "FAST"	"SLOW"	Specifies the slew rate of the output driver. See the Data Sheet for recommendations of the best setting for this attribute.

VHDL Instantiation Template

Unless they already exist, copy the following two statements and paste them before the entity declaration.

```

Library UNISIM;
use UNISIM.vcomponents.all;

-- OBUFT: Single-ended 3-state Output Buffer
--     All devices
-- Xilinx HDL Libraries Guide, version 10.1.2

OBUFT_inst : OBUFT
generic map (
DRIVE => 12,
IOSTANDARD => "DEFAULT",
SLEW => "SLOW")
port map (
O => O,      -- Buffer output (connect directly to top-level port)
I => I,      -- Buffer input
T => T      -- 3-state enable input
);

-- End of OBUFT_inst instantiation
    
```

Verilog Instantiation Template

```

// OBUFT: Single-ended 3-state Output Buffer
//     All devices
// Xilinx HDL Libraries Guide, version 10.1.2

OBUFT #(
.DRIVE(12), // Specify the output drive strength
.IOSTANDARD("DEFAULT"), // Specify the output I/O standard
.SLEW("SLOW") // Specify the output slew rate
) OBUFT_inst (
.O(O), // Buffer output (connect directly to top-level port)
.I(I), // Buffer input
.T(T) // 3-state enable input
);

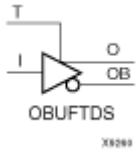
// End of OBUFT_inst instantiation
    
```

For More Information

- See the [Virtex-5 User Guide](#).
- See the [Virtex-5 Data Sheets](#).

OBUFTDS

Primitive: 3-State Output Buffer with Differential Signaling, Active-Low Output Enable



Introduction

This design element is an output buffer that supports low-voltage, differential signaling. For the OBUFTDS, a design level interface signal is represented as two distinct ports (O and OB), one deemed the "master" and the other the "slave." The master and the slave are opposite phases of the same logical signal (for example, MYNET_P and MYNET_N).

Logic Table

Inputs		Outputs	
I	T	O	OB
X	1	Z	Z
0	0	0	1
1	0	1	0

Port Descriptions

Port	Direction	Width	Function
O	Output	1	Diff_p output (connect directly to top level port)
OB	Output	1	Diff_n output (connect directly to top level port)
I	Input	1	Buffer input
T	Input	1	3-state enable input

Design Entry Method

Instantiation	Recommended
Inference	No
Coregen and wizards	No
Macro support	No

Available Attributes

Attribute	Type	Allowed Values	Default	Description
IOSTANDARD	String	See Data Sheet	"DEFAULT"	Assigns an I/O standard to the element.

VHDL Instantiation Template

Unless they already exist, copy the following two statements and paste them before the entity declaration.

```
Library UNISIM;
use UNISIM.vcomponents.all;

-- OBUFTDS: Differential 3-state Output Buffer
--           Virtex-II/II-Pro, Spartan-3/3E/3A
-- Xilinx HDL Libraries Guide, version 10.1.2

OBUFTDS_inst : OBUFTDS
generic map (
  IOSTANDARD => "DEFAULT")
port map (
  O => O,      -- Diff_p output (connect directly to top-level port)
  OB => OB,    -- Diff_n output (connect directly to top-level port)
  I => I,      -- Buffer input
  T => T       -- 3-state enable input
);

-- End of OBUFTDS_inst instantiation
```

Verilog Instantiation Template

```
// OBUFTDS: Differential 3-state Output Buffer
//           Virtex-II/II-Pro/4/5, Spartan-3/3E/3A
// Xilinx HDL Libraries Guide, version 10.1.2

OBUFTDS #(
  .IOSTANDARD("DEFAULT") // Specify the output I/O standard
) OBUFTDS_inst (
  .O(O),      // Diff_p output (connect directly to top-level port)
  .OB(OB),    // Diff_n output (connect directly to top-level port)
  .I(I),      // Buffer input
  .T(T)       // 3-state enable input
);

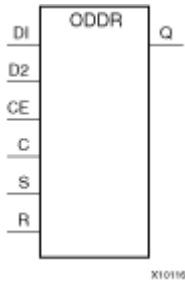
// End of OBUFTDS_inst instantiation
```

For More Information

- See the [Virtex-5 User Guide](#).
- See the [Virtex-5 Data Sheets](#).

ODDR

Primitive: Dedicated Dual Data Rate (DDR) Output Register



Introduction

This design element is a dedicated output register for use in transmitting dual data rate (DDR) signals from Virtex®-5 FPGAs. Unlike previous generations of Xilinx FPGAs, ODDR primitive's interface with the FPGA fabric are not limited to opposite edges. The ODDR is available with modes that allow data to be presented from the FPGA fabric at the same clock edge. This feature allows designers to avoid additional timing complexities and CLB usage. In addition, the ODDR works in conjunction with SelectIO™ features of Xilinx FPGAs.

ODDR Modes

This element has two modes of operation. These modes are set by the DDR_CLK_EDGE attribute.

- **OPPOSITE_EDGE mode** - The data transmit interface uses the classic DDR methodology. Given a data and clock at pin D1-2 and C respectively, D1 is sampled at every positive edge of clock C, and D2 is sampled at every negative edge of clock C. Q changes every clock edge.
- **SAME_EDGE mode** - Data is still transmitted at the output of the ODDR by opposite edges of clock C. However, the two inputs to the ODDR are clocked with a positive clock edge of clock signal C and an extra register is clocked with a negative clock edge of clock signal C. Using this feature, DDR data can now be presented into the ODDR at the same clock edge.

Port Descriptions

Port	Type	Width	Function
Q	Output	1	Data Output (DDR) - The ODDR output that connects to the IOB pad.
C	Input	1	Clock Input Port - The C pin represents the clock input pin.
CE	Input	1	Clock Enable Input Port - When asserted High, this port enables the clock input on port C.
D1 – D2	Input	1 (each)	Data Input - This pin is where the DDR data is presented into the ODDR module.
R	Input	1	Reset - Depends on how SRTYPE is set.
S	Input	1	Set - Active High asynchronous set pin. This pin can also be Synchronous depending on the SRTYPE attribute.

Design Entry Method

Instantiation	Recommended
Inference	No
Coregen and wizards	No
Macro support	No

Available Attributes

Attribute	Type	Allowed Values	Default	Description
DDR_CLK_EDGE	String	"OPPOSITE_EDGE", "SAME_EDGE"	"OPPOSITE_EDGE"	DDR clock mode recovery mode selection.
INIT	Integer	0 or 1	1	Q initialization value.
SRTYPE	String	"SYNC" or "ASYN"	"SYNC"	Set/Reset type selection.

VHDL Instantiation Template

Unless they already exist, copy the following two statements and paste them before the entity declaration.

```

Library UNISIM;
use UNISIM.vcomponents.all;

-- ODDR: Output Double Data Rate Output Register with Set, Reset
--      and Clock Enable.
--      Virtex-4/5
--      Xilinx HDL Libraries Guide, version 10.1.2

ODDR_inst : ODDR
generic map(
DDR_CLK_EDGE => "OPPOSITE_EDGE", -- "OPPOSITE_EDGE" or "SAME_EDGE"
INIT => '0', -- Initial value for Q port ('1' or '0')
SRTYPE => "SYNC") -- Reset Type ("ASYN" or "SYNC")
port map (
Q => Q, -- 1-bit DDR output
C => C, -- 1-bit clock input
CE => CE, -- 1-bit clock enable input
D1 => D1, -- 1-bit data input (positive edge)
D2 => D2, -- 1-bit data input (negative edge)
R => R, -- 1-bit reset input
S => S -- 1-bit set input
);

-- End of ODDR_inst instantiation
    
```

Verilog Instantiation Template

```

// ODDR: Output Double Data Rate Output Register with Set, Reset
//      and Clock Enable.
//      Virtex-4/5
//      Xilinx HDL Libraries Guide, version 10.1.2

ODDR #(
.DDR_CLK_EDGE("OPPOSITE_EDGE"), // "OPPOSITE_EDGE" or "SAME_EDGE"
.INIT(1'b0), // Initial value of Q: 1'b0 or 1'b1
.SRTYPE("SYNC") // Set/Reset type: "SYNC" or "ASYN"
) ODDR_inst (
.Q(Q), // 1-bit DDR output
    
```

```
.C(C), // 1-bit clock input
.CE(CE), // 1-bit clock enable input
.D1(D1), // 1-bit data input (positive edge)
.D2(D2), // 1-bit data input (negative edge)
.R(R), // 1-bit reset
.S(S) // 1-bit set
);

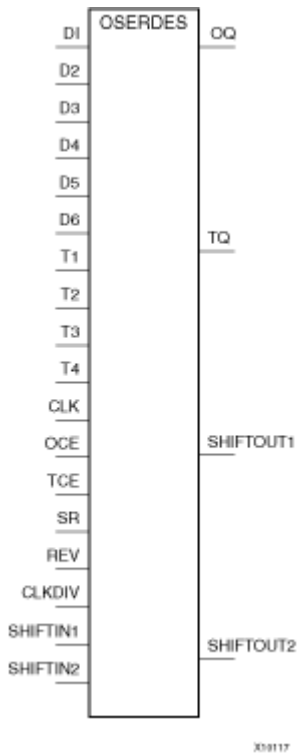
// End of ODDR_inst instantiation
```

For More Information

- See the [Virtex-5 User Guide](#).
- See the [Virtex-5 Data Sheets](#).

OSERDES

Primitive: Dedicated IOB Output Serializer



Introduction

Use the OSERDES primitive to easily implement a source synchronous interface. This device helps you by saving logic resources that would otherwise be implemented in the FPGA fabric. It also avoids additional timing complexities that you might encounter when you are designing circuitry in the FPGA fabric. This element contains multiple clock inputs to accommodate various applications, and will work in conjunction with the SelectIO™ features of Xilinx® FPGAs

Port Descriptions

Port	Type	Width	Function
OQ	Output	1	Data Path Output - This port is the data output of the OSERDES module. This port connects the output of the data parallel-to-serial converter to the data input of the IOB pad. In addition, this output port can also be configured to bypass all the submodules within the OSERDES module.
SHIFTOUT1-2	Output	1 (each)	Carry Out for data input expansion. Connect to SHIFTIN1/2 of master.
TQ	Output	1	3-State Path Output - This port is the 3-state output of the OSERDES module. This port connects the output of the 3-state parallel-to-serial converter to the control input of the IOB pad.

Port	Type	Width	Function
CLK	Input	1	High Speed Clock Input - This clock input is used to drive the parallel-to-serial converters. The possible source for the CLK port is from one of the following clock resources: <ul style="list-style-type: none"> • Ten global clock lines in a clock region • Four regional clock lines • Four clock capable I/Os (within adjacent clock region) • Fabric (through bypass)
CLKDIV	Input	1	Divided High Speed Clock Input - This clock input is used to drive the parallel-to-serial converter. This clock must be a divided down version of the clock connected to the CLK port. One of the following clock resources can be used as a source for CLKDIV: <ul style="list-style-type: none"> • Ten global clock lines in a clock region • Four regional clock lines
D1-D6	Input	1	Parallel Data Inputs - Ports D1 to D6 are the location in which all incoming parallel data enters the OSERDES module. This port is connected to the FPGA fabric, and can be configured from 2 to 6 bits. In the extended width mode, this port can be expanded up to 10 bits.
OCE	Input	1	Parallel to serial converter (data) clock enable - This port is used to enables the output of the data parallel-to-serial converter when asserted High.
SR	Input	1	Set/Reset Input - The set/reset (SR) pin forces the storage element into the state specified by the SRVAL attribute. SRVAL = "1" forces a logic 1. SRVAL = "0" forces a logic "0." The reset condition predominates over the set condition.
SHIFTIN1-2	Input	1 (each)	Carry Input for Data Input Expansion. Connect to SHIFTOUT1/2 of slave.
T1 – T4	Input	1 (each)	Parallel 3-State Inputs - Ports T1 to T4 are the location in which all parallel 3-state signals enters the OSERDES module. This port is connected to the FPGA fabric, and can be configured from 1 to 4 bits. This feature is not supported in the extended width mode.
TCE	Input	1	Parallel to serial converter (3-state) clock enable - This port is used to enable the output of the 3-state signal parallel-to-serial converter when asserted High.

Design Entry Method

Instantiation	Recommended
Inference	No
Coregen and wizards	No
Macro support	No

The data parallel-to-serial converter in the OSERDES module takes in 2 to 6 bits of parallel data and converts them into serial data. Data input widths larger than 6 (7, 8, and 10) are achievable by cascading two OSERDES modules for data width expansion. In order to do this, one OSERDES must be set into a MASTER mode, while another is set into SLAVE mode. You must connect the SHIFTOUT of "slave" and SHIFTIN of "master" ports together. The "slave" only uses D3 to D6 ports as its input. The parallel-to-serial converter is available for both SDR and DDR modes.

This module is designed such that the data input at D1 port is the first output bit. This module is controlled by CLK and CLKDIV clocks. The following table describes the relationship between CLK and CLKDIV for both SDR and DDR mode.

SDR Data Width	DDR Data Width	CLK	CLKDIV
2	4	2X	X
3	6	3X	X
4	8	4X	X
5	10	5X	X
6	-	6X	X
7	-	7X	X
8	-	8X	X

Output of this block is connected to the data input of an IOB pad of the FPGA. This IOB pad can be configured to a desired standard using SelectIO.

Parallel-to-Serial Converter (3-state)

The 3-state parallel-to-serial converter in the OSERDES module takes in up to 4 bits of parallel 3-state signals and converts them into serial 3-state signal. Unlike the data parallel-to-serial converter, the 3-state parallel-to-serial converter is not extendable to more than 4-bit, 3-state signals. This module is primarily controlled by CLK and CLKDIV clocks. In order to use this module, the following attributes must be declared: DATA_RATE_TQ and TRISTATE_WIDTH. In certain cases, you can also need to declare DATA_RATE_OQ and DATA_WIDTH. The following table lists the attributes needed for the desired functionality.

Mode of Operation	DATA_RATE_TQ	TRISTATE_WIDTH
4-bit DDR*	DDR	4
1-bit SDR	SDR	1
Buffer	BUF	1

Output of this block is connected to the 3-state input of an IOB pad of the FPGA. This IOB pad can be configured to a desired standard using SelectIO.

Width Expansion

It is possible to use this element to transmit parallel data widths larger than six. However, the 3-state output is not expandable. In order to use this feature, *two* of these elements need to be instantiated, and the two must be an adjacent master and slave pair. The attribute MODE must be set to either "MASTER" or "SLAVE" in order to differentiate the modes of the OSERDES pair. In addition, you must connect the SHIF TIN ports of the MASTER to the SHIF TOUT ports of the SLAVE. This feature supports data widths of 7, 8, and 10 for SDR and DDR mode. The table below lists the data width availability for SDR and DDR mode.

Mode	Widths
SDR Data Widths	2,3,4,5,6,7,8
DDR Data Widths	4,6,8,10

Available Attributes

Attribute	Type	Allowed Values	Default	Description
DATA_RATE_OQ	String	"SDR" or "DDR"	"DDR"	Defines whether the data changes at every clock edge or every positive clock edge with respect to CLK.

Attribute	Type	Allowed Values	Default	Description
DATA_RATE_TQ	String	"BUF", "SDR", "DDR"	"DDR"	Defines whether the 3-state changes at every clock edge, every positive clock edge, or buffer configuration with respect to CLK.
DATA_WIDTH	Integer	2, 3, 4, 5, 6, 7, 8, or 10	4	If DATA_RATE_OQ = DDR, value is limited to 4, 6, 8, or 10. If DATA_RATE_OQ = SDR, value is limited to 2, 3, 4, 5, 6, 7, or 8.
INIT_OQ	Binary	0, 1	0	Defines the initial value of OQ output
INIT_TQ	Binary	0, 1	0	Defines the initial value of TQ output
SERDES_MODE	String	"MASTER" or "SLAVE"	"MASTER"	Defines whether the OSERDES module is a master or slave when width expansion is used.
SRVAL_OQ	Binary	0, 1	0	Defines the value of OQ output when reset is invoked.
SRVAL_TQ	Binary	0, 1	0	Defines the value of TQ output when reset is invoked.
TRISTATE_WIDTH	Integer	1 or 4	4	If DATA_RATE_TQ = DDR, DATA_WIDTH=4, and DATA_RATE_OQ = DDR, value is limited to 1 or 4. For all other settings of DATA_RATE_TQ, DATA_WIDTH, and DATA_RATE_OQ, value is limited to 1.

VHDL Instantiation Template

Unless they already exist, copy the following two statements and paste them before the entity declaration.

```

Library UNISIM;
use UNISIM.vcomponents.all;

-- OSERDES: Output SERDES
--      Virtex-4
-- Xilinx HDL Libraries Guide, version 10.1.2

OSERDES_inst : OSERDES
generic map (
DATA_RATE_OQ => "DDR", -- Specify data rate to "DDR" or "SDR"
DATA_RATE_TQ => "DDR", -- Specify data rate to "DDR", "SDR", or "BUF"
DATA_WIDTH => 4, -- Specify data width - For DDR: 4,6,8, or 10
-- For SDR or BUF: 2,3,4,5,6,7, or 8
INIT_OQ => '0', -- INIT for Q1 register - '1' or '0'
INIT_TQ => '0', -- INIT for Q2 register - '1' or '0'
SERDES_MODE => "MASTER", --Set SERDES mode to "MASTER" or "SLAVE"
SRVAL_OQ => '0', -- Define Q1 output value upon SR assertion - '1' or '0'
SRVAL_TQ => '0', -- Define Q1 output value upon SR assertion - '1' or '0'
TRISTATE_WIDTH => 4) -- Specify parallel to serial converter width
-- When DATA_RATE_TQ = DDR: 2 or 4
-- When DATA_RATE_TQ = SDR or BUF: 1 "
port map (
OQ => OQ, -- 1-bit output
SHIFTOUT1 => SHIFTOUT1, -- 1-bit data expansion output
SHIFTOUT2 => SHIFTOUT2, -- 1-bit data expansion output
TQ => TQ, -- 1-bit 3-state control output
CLK => CLK, -- 1-bit clock input
CLKDIV => CLKDIV, -- 1-bit divided clock input
D1 => D1, -- 1-bit parallel data input
D2 => D2, -- 1-bit parallel data input
D3 => D3, -- 1-bit parallel data input
D4 => D4, -- 1-bit parallel data input
D5 => D5, -- 1-bit parallel data input

```

```

D6 => D6,    -- 1-bit parallel data input
OCE => OCE,  -- 1-bit clkok enable input
REV => '0',  -- Must be tied to logic zero
SHIFTIN1 => SHIFTIN1, -- 1-bit data expansion input
SHIFTIN2 => SHIFTIN2, -- 1-bit data expansion input
SR => SR,    -- 1-bit set/reset input
T1 => T1,    -- 1-bit parallel 3-state input
T2 => T2,    -- 1-bit parallel 3-state input
T3 => T3,    -- 1-bit parallel 3-state input
T4 => T4,    -- 1-bit parallel 3-state input
TCE => TCE  -- 1-bit 3-state signal clock enable input
);

-- End of OSERDES_inst instantiation

```

Verilog Instantiation Template

```

// OSERDES: Source Synchronous Output Serializer
//      Virtex-4/5
// Xilinx HDL Libraries Guide, version 10.1.2

OSERDES #(
  .DATA_RATE_OQ("DDR"), // Specify data rate to "DDR" or "SDR"
  .DATA_RATE_TQ("DDR"), // Specify data rate to "DDR", "SDR", or "BUF"
  .DATA_WIDTH(4), // Specify data width - For DDR: 4,6,8, or 10
  //      For SDR or BUF: 2,3,4,5,6,7, or 8
  .INIT_OQ(1'b0), // INIT for OQ register - 1'b1 or 1'b0
  .INIT_TQ(1'b0), // INIT for TQ register - 1'b1 or 1'b0
  .SERDES_MODE("MASTER"), // Set SERDES mode to "MASTER" or "SLAVE"
  .SRVAL_OQ(1'b0), // Define OQ output value upon SR assertion - 1'b1 or 1'b0
  .SRVAL_TQ(1'b0), // Define TQ output value upon SR assertion - 1'b1 or 1'b0
  .TRISTATE_WIDTH(4) // Specify parallel to serial converter width
  //      When DATA_RATE_TQ = DDR: 2 or 4
  //      When DATA_RATE_TQ = SDR or BUF: 1
) OSERDES_inst (
  .OQ(OQ), // 1-bit data path output
  .SHIFTOUT1(SHIFTOUT1), // 1-bit data expansion output
  .SHIFTOUT2(SHIFTOUT2), // 1-bit data expansion output
  .TQ(TQ), // 1-bit 3-state control output
  .CLK(CLK), // 1-bit clock input
  .CLKDIV(CLKDIV), // 1-bit divided clock input
  .D1(D1), // 1-bit parallel data input
  .D2(D2), // 1-bit parallel data input
  .D3(D3), // 1-bit parallel data input
  .D4(D4), // 1-bit parallel data input
  .D5(D5), // 1-bit parallel data input
  .D6(D6), // 1-bit parallel data input
  .OCE(OCE), // 1-bit clock enable input
  .REV(1'b0), // Must be tied to logic zero
  .SHIFTIN1(SHIFTIN1), // 1-bit data expansion input
  .SHIFTIN2(SHIFTIN2), // 1-bit data expansion input
  .SR(SR), // 1-bit set/reset input
  .T1(T1), // 1-bit parallel 3-state input
  .T2(T2), // 1-bit parallel 3-state input
  .T3(T3), // 1-bit parallel 3-state input
  .T4(T4), // 1-bit parallel 3-state input
  .TCE(TCE) // 1-bit 3-state signal clock enable input
);

// End of OSERDES_inst instantiation

```

For More Information

- See the [Virtex-5 User Guide](#).
- See the [Virtex-5 Data Sheets](#).

PCIE_EP

Primitive: PCI Express Integrated Endpoint Block

Introduction

This design element is an Integrated Endpoint block embedded in Virtex®-5 devices. It leverages the PCI EXPRESS® (PCIe®) functionality that implements the next-generation evolution of the older PCI™ and PCI-X™ parallel bus standards. It is a high-performance, general-purpose interconnect architecture, designed for a wide range of computing and communications platforms. It is a packet-based, point-to-point serial interface that is backward compatible with PCI and PCI-X configurations, device drivers, and application software.

Design Entry Method

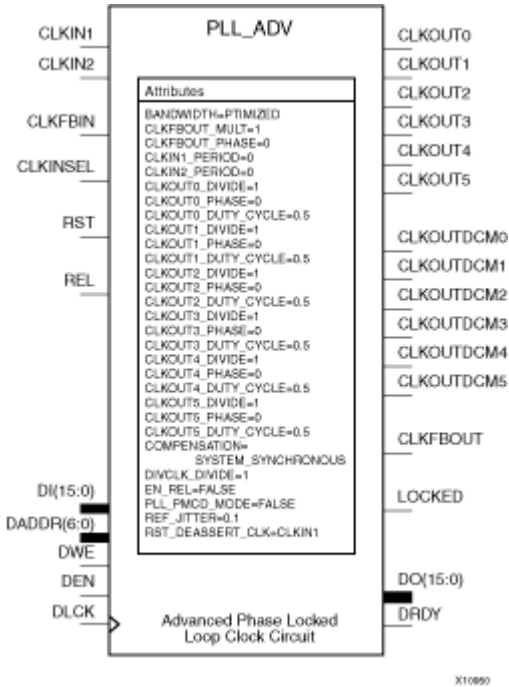
Instantiation	No
Inference	No
Coregen and wizards	Recommended
Macro support	No

For More Information

- See the [Virtex-5 Integrated Endpoint Block for PCI Express Designs User Guide](#).
- See the [Virtex-5 Data Sheets](#).
- See the [Virtex-5 User Guide](#).

PLL_ADV

Primitive: Advanced Phase Locked Loop Clock Circuit



Introduction

This design element is an embedded Phase Locked Loop Clock Circuit which provides added capabilities for clock synthesis and management within the FPGA as well as for circuits external to the FPGA. The PLL circuit allows the clock to be multiplexed, phase matched, phase shifted, multiplied, and divided as well as other features such as duty cycle modification and jitter filtering. The PLL can be used in conjunction with or in place of a DCM (Digital Clock Manager) component to control the clocking of the FPGA and other associated circuitry.

Port Descriptions

Port	Direction	Width	Function
Clock Outputs/Inputs			
CLKOUT0-5	Output	1	One of six phase controlled output clock from PLL.
CLKFBDCM	Output	1	PLL Feedback used to compensate if the PLL is driving the DCM.
CLKOUTDCM0-5	Output	1	Dedicated output for driving the DCM located within the same clock tile. The only valid connection for this pin is to a DCM CLKIN pin. When this pin is used, CLKOUT5 should be left unconnected.
CLKFBOUT	Output	1	Dedicated PLL feedback output used to determine how the PLL compensates clock network delay. Connect to feedback clock unless internal PLL compensation is desired.
CLKIN1	Input	1	Primary clock input.

Port	Direction	Width	Function
CLKIN2	Input	1	Secondary clock input (optional)
CLKFBIN	Input	1	Clock feedback input. The source of this pin can either be the CLKFBOUT or a dedicated clock input pin to the FPGA.
Status Outputs / Control Inputs			
LOCKED	Output	1	Synchronous output from the PLL that provides you with an indication the PLL has achieved phase alignment and is ready for operation.
CLKINSEL	Input	1	Dynamic CLKIN select input. When high, '1' CLKIN1 is selected and while low, '0' CLKIN2 is selected. If dual clock selection is not necessary, connect this input to a logic 1.
RST	Input	1	Asynchronous reset of the PLL
REL	Input	1	To control the releasing of clock output in PMCD mode.
Dynamic Reconfiguration			
DO	Output	16	Dynamic reconfiguration output bus.
DRDY	Output	1	Dynamic reconfiguration ready output.
DI	Input	16	Dynamic reconfiguration input bus.
DADDR	Input	5	Dynamic reconfiguration address bus
DWE	Input	1	Dynamic reconfiguration write enable port.
DEN	Input	1	Dynamic reconfiguration enable port.
DCLK	Input	1	Dynamic reconfiguration clock port.

Design Entry Method

Instantiation	Recommended
Inference	No
Coregen and wizards	No
Macro support	No

Available Attributes

Attribute	Type	Allowed Values	Default	Description
COMPENSATION	String	"SYSTEM_SYNCHRONOUS", "SOURCE_SYNCHRONOUS"	"SYSTEM_SYNCHRONOUS"	Specifies the PLL phase compensation for the incoming clock. SYSTEM_SYNCHRONOUS attempts to compensate all clock delay while SOURCE_SYNCHRONOUS is used when a clock is provided with data and thus phased with the clock. The following values can be set in software: "INTERNAL", "EXTERNAL", "DCM2PLL", and "PLL2DCM".

Attribute	Type	Allowed Values	Default	Description
BANDWIDTH	String	"HIGH", "LOW", "OPTIMIZED"	"OPTIMIZED"	Specifies the PLL programming algorithm affecting the jitter, phase margin, and other characteristics of the PLL.
CLKOUT0_DIVIDE, CLKOUT1_DIVIDE, CLKOUT2_DIVIDE, CLKOUT3_DIVIDE, CLKOUT4_DIVIDE, CLKOUT5_DIVIDE	Integer	1 to 128	1	Specifies the amount to divide the associated CLKOUT clock output if a different frequency is desired. This number in combination with the FBCLKOUT_MULT value determines the output frequency.
CLKOUT0_PHASE, CLKOUT1_PHASE, CLKOUT2_PHASE, CLKOUT3_PHASE, CLKOUT4_PHASE, CLKOUT5_PHASE	Real	-360.0 to 360.0	0.0	Allows specification of the output phase relationship of the associated CLKOUT clock output in number of degrees offset (i.e. 90 indicates a 90 degree or ¼ cycle offset phase offset while 180 indicates a 180 degree offset or ½ cycle phase offset).
CLKOUT0_DUTY_CYCLE, CLKOUT1_DUTY_CYCLE, CLKOUT2_DUTY_CYCLE, CLKOUT3_DUTY_CYCLE, CLKOUT4_DUTY_CYCLE, CLKOUT5_DUTY_CYCLE,	Real	0.00 to 0.9999	0.5000	Specifies the Duty Cycle of the associated CLKOUT clock output in percentage (i.e. 0.50 generates a 50% duty cycle).
CLKFBOUT_MULT	Integer	1 to 64	1	Specifies the amount to multiply all CLKOUT clock outputs if a different frequency is desired. This number in combination with the associated CLKOUT#_DIVIDE value determines the output frequency.
CLKFBOUT_PHASE	Real	0 to 360	0	Specifies the phase offset in degrees of the clock feedback output. Shifting the feedback clock results in a net affect of a negative phase shift of all output clocks to the PLL.
CLKOUT0_DESKEW_ADJUST, CLKOUT1_DESKEW_ADJUST, CLKOUT2_DESKEW_ADJUST, CLKOUT3_DESKEW_ADJUST, CLKOUT4_DESKEW_ADJUST, CLKOUT5_DESKEW_ADJUST	String	"NONE", "PPC"	"NONE"	Parameter to be used in PPC440 designs only. For more information, see the section on clock insertion delays and PLL usage in the embedded processor block user guide.

Attribute	Type	Allowed Values	Default	Description
REF_JITTER	Real	0.000 to 0.999	0.100	The reference clock jitter is specified in terms of the UI which is a percentage of the reference clock. The number provided should be the maximum peak to peak value on the input clock.
CLKIN1_PERIOD	Real	1.0 to 52.63	0.0	Specified the input period in ns to the PLL CLKIN1 input.
CLKIN2_PERIOD	Real	1.0 to 52.63	0.0	Specified the input period in ns to the PLL CLKIN2 input.
DIVCLK_DIVIDE	Integer	1 to 52	1	Specifies the division ratio for all output clocks with respect to the input clock.
RST_DEASSERT_CLK	String	"CLKIN1" or "CLKIN2"	"CLKIN1"	Specifies the deassertion of the RST signal to be synchronous to a selected PMCD input clock.

VHDL Instantiation Template

Unless they already exist, copy the following two statements and paste them before the entity declaration.

```
Library UNISIM;
use UNISIM.vcomponents.all;

-- PLL_ADV: Phase-Lock Loop Clock Circuit
--           Virtex-5
-- Xilinx HDL Libraries Guide, version 10.1.2

PLL_ADV_inst : PLL_ADV
generic map (
BANDWIDTH => "OPTIMIZED", -- "HIGH", "LOW" or "OPTIMIZED"
CLKFBOUT_MULT => 1, -- Multiplication factor for all output clocks
CLKFBOUT_PHASE => 0.0, -- Phase shift (degrees) of all output clocks
CLKIN1_PERIOD => 0.000, -- Clock period (ns) of input clock on CLKIN1
CLKIN2_PERIOD => 0.000, -- Clock period (ns) of input clock on CLKIN2
CLKOUT0_DIVIDE => 1, -- Division factor for CLKOUT0 (1 to 128)
CLKOUT0_DUTY_CYCLE => 0.5, -- Duty cycle for CLKOUT0 (0.01 to 0.99)
CLKOUT0_PHASE => 0.0, -- Phase shift (degrees) for CLKOUT0 (0.0 to 360.0)
CLKOUT1_DIVIDE => 1, -- Division factor for CLKOUT1 (1 to 128)
CLKOUT1_DUTY_CYCLE => 0.5, -- Duty cycle for CLKOUT1 (0.01 to 0.99)
CLKOUT1_PHASE => 0.0, -- Phase shift (degrees) for CLKOUT1 (0.0 to 360.0)
CLKOUT2_DIVIDE => 1, -- Division factor for CLKOUT2 (1 to 128)
CLKOUT2_DUTY_CYCLE => 0.5, -- Duty cycle for CLKOUT2 (0.01 to 0.99)
CLKOUT2_PHASE => 0.0, -- Phase shift (degrees) for CLKOUT2 (0.0 to 360.0)
CLKOUT3_DIVIDE => 1, -- Division factor for CLKOUT3 (1 to 128)
CLKOUT3_DUTY_CYCLE => 0.5, -- Duty cycle for CLKOUT3 (0.01 to 0.99)
CLKOUT3_PHASE => 0.0, -- Phase shift (degrees) for CLKOUT3 (0.0 to 360.0)
CLKOUT4_DIVIDE => 1, -- Division factor for CLKOUT4 (1 to 128)
CLKOUT4_DUTY_CYCLE => 0.5, -- Duty cycle for CLKOUT4 (0.01 to 0.99)
CLKOUT4_PHASE => 0.0, -- Phase shift (degrees) for CLKOUT4 (0.0 to 360.0)
CLKOUT5_DIVIDE => 1, -- Division factor for CLKOUT5 (1 to 128)
CLKOUT5_DUTY_CYCLE => 0.5, -- Duty cycle for CLKOUT5 (0.01 to 0.99)
CLKOUT5_PHASE => 0.0, -- Phase shift (degrees) for CLKOUT5 (0.0 to 360.0)
COMPENSATION => "SYSTEM_SYNCHRONOUS", -- "SYSTEM_SYNCHRONOUS",
-- "SOURCE_SYNCHRONOUS", "INTERNAL",
-- "EXTERNAL", "DCM2PLL", "PLL2DCM"
DIVCLK_DIVIDE => 1, -- Division factor for all clocks (1 to 52)
EN_REL => FALSE, -- Enable release (PMCD mode only)
PLL_PMCD_MODE => FALSE, -- PMCD Mode, TRUE/FASLE
REF_JITTER => 0.100, -- Input reference jitter (0.000 to 0.999 UI%)
RST_DEASSERT_CLK => "CLKIN1") -- In PMCD mode, clock to synchronize RST release
port map (
CLKFBDCM => CLKFBDCM, -- Output feedback signal used when PLL feeds a DCM
```

```

CLKFBOUT => CLKFBOUT,      -- General output feedback signal
CLKOUT0 => CLKOUT0,       -- One of six general clock output signals
CLKOUT1 => CLKOUT1,       -- One of six general clock output signals
CLKOUT2 => CLKOUT2,       -- One of six general clock output signals
CLKOUT3 => CLKOUT3,       -- One of six general clock output signals
CLKOUT4 => CLKOUT4,       -- One of six general clock output signals
CLKOUT5 => CLKOUT5,       -- One of six general clock output signals
CLKOUTDCM0 => CLKOUTDCM0, -- One of six clock outputs to connect to the DCM
CLKOUTDCM1 => CLKOUTDCM1, -- One of six clock outputs to connect to the DCM
CLKOUTDCM2 => CLKOUTDCM2, -- One of six clock outputs to connect to the DCM
CLKOUTDCM3 => CLKOUTDCM3, -- One of six clock outputs to connect to the DCM
CLKOUTDCM4 => CLKOUTDCM4, -- One of six clock outputs to connect to the DCM
CLKOUTDCM5 => CLKOUTDCM5, -- One of six clock outputs to connect to the DCM
DO => DO,                 -- Dynamic reconfig data output (16-bits)
DRDY => DRDY,             -- Dynamic reconfig ready output
LOCKED => LOCKED,         -- Active high PLL lock signal
CLKFBIN => CLKFBIN,       -- Clock feedback input
CLKIN1 => CLKIN1,         -- Primary clock input
CLKIN2 => CLKIN2,         -- Secondary clock input
CLKINSEL => CLKINSEL,     -- Selects CLKIN1 or CLKIN2
DADDR => DADDR,           -- Dynamic reconfig address input (5-bits)
DCLK => DCLK,             -- Dynamic reconfig clock input
DEN => DEN,               -- Dynamic reconfig enable input
DI => DI,                 -- Dynamic reconfig data input (16-bits)
DWE => DWE,               -- Dynamic reconfig write enable input
REL => REL,                -- Clock release input (PMCD mode only)
RST => RST                 -- Asynchronous PLL reset
);

-- End of PLL_ADV_inst instantiation
    
```

Verilog Instantiation Template

```

// PLL_ADV: Phase-Lock Loop Clock Circuit
//      Virtex-5
// Xilinx HDL Libraries Guide, version 10.1.2

PLL_ADV #(
.BANDWIDTH("OPTIMIZED"), // "HIGH", "LOW" or "OPTIMIZED"
.CLKFBOUT_MULT(1),       // Multiplication factor for all output clocks
.CLKFBOUT_PHASE(0.0),   // Phase shift (degrees) of all output clocks
.CLKIN1_PERIOD(0.000),  // Clock period (ns) of input clock on CLKIN1
.CLKIN2_PERIOD(0.000),  // Clock period (ns) of input clock on CLKIN2
.CLKOUT0_DIVIDE(1),      // Division factor for CLKOUT0 (1 to 128)
.CLKOUT0_DUTY_CYCLE(0.5), // Duty cycle for CLKOUT0 (0.01 to 0.99)
.CLKOUT0_PHASE(0.0),    // Phase shift (degrees) for CLKOUT0 (0.0 to 360.0)
.CLKOUT1_DIVIDE(1),      // Division factor for CLKOUT1 (1 to 128)
.CLKOUT1_DUTY_CYCLE(0.5), // Duty cycle for CLKOUT1 (0.01 to 0.99)
.CLKOUT1_PHASE(0.0),    // Phase shift (degrees) for CLKOUT1 (0.0 to 360.0)
.CLKOUT2_DIVIDE(1),      // Division factor for CLKOUT2 (1 to 128)
.CLKOUT2_DUTY_CYCLE(0.5), // Duty cycle for CLKOUT2 (0.01 to 0.99)
.CLKOUT2_PHASE(0.0),    // Phase shift (degrees) for CLKOUT2 (0.0 to 360.0)
.CLKOUT3_DIVIDE(1),      // Division factor for CLKOUT3 (1 to 128)
.CLKOUT3_DUTY_CYCLE(0.5), // Duty cycle for CLKOUT3 (0.01 to 0.99)
.CLKOUT3_PHASE(0.0),    // Phase shift (degrees) for CLKOUT3 (0.0 to 360.0)
.CLKOUT4_DIVIDE(1),      // Division factor for CLKOUT4 (1 to 128)
.CLKOUT4_DUTY_CYCLE(0.5), // Duty cycle for CLKOUT4 (0.01 to 0.99)
.CLKOUT4_PHASE(0.0),    // Phase shift (degrees) for CLKOUT4 (0.0 to 360.0)
.CLKOUT5_DIVIDE(1),      // Division factor for CLKOUT5 (1 to 128)
.CLKOUT5_DUTY_CYCLE(0.5), // Duty cycle for CLKOUT5 (0.01 to 0.99)
.CLKOUT5_PHASE(0.0),    // Phase shift (degrees) for CLKOUT5 (0.0 to 360.0)
.COMPENSATION("SYSTEM_SYNCHRONOUS"), // "SYSTEM_SYNCHRONOUS",
// "SOURCE_SYNCHRONOUS", "INTERNAL", "EXTERNAL",
// "DCM2PLL", "PLL2DCM"
.DIVCLK_DIVIDE(1),       // Division factor for all clocks (1 to 52)
.EN_REL("FALSE"),        // Enable release (PMCD mode only)
.PLL_PMCD_MODE("FALSE"), // PMCD Mode, TRUE/FASLE
.REF_JITTER(0.100),      // Input reference jitter (0.000 to 0.999 UI%)
.RST_DEASSERT_CLK("CLKIN1") // In PMCD mode, clock to synchronize RST release
    
```

```

) PLL_ADV_inst (
.CLKFBDCM(CLKFBDCM), // Output feedback signal used when PLL feeds a DCM
.CLKFBOUT(CLKFBOUT), // General output feedback signal
.CLKOUT0(CLKOUT0), // One of six general clock output signals
.CLKOUT1(CLKOUT1), // One of six general clock output signals
.CLKOUT2(CLKOUT2), // One of six general clock output signals
.CLKOUT3(CLKOUT3), // One of six general clock output signals
.CLKOUT4(CLKOUT4), // One of six general clock output signals
.CLKOUT5(CLKOUT5), // One of six general clock output signals
.CLKOUTDCM0(CLKOUTDCM0), // One of six clock outputs to connect to the DCM
.CLKOUTDCM1(CLKOUTDCM1), // One of six clock outputs to connect to the DCM
.CLKOUTDCM2(CLKOUTDCM2), // One of six clock outputs to connect to the DCM
.CLKOUTDCM3(CLKOUTDCM3), // One of six clock outputs to connect to the DCM
.CLKOUTDCM4(CLKOUTDCM4), // One of six clock outputs to connect to the DCM
.CLKOUTDCM5(CLKOUTDCM5), // One of six clock outputs to connect to the DCM
.DO(DO), // Dynamic reconfig data output (16-bits)
.DRDY(DRDY), // Dynamic reconfig ready output
.LOCKED(LOCKED), // Active high PLL lock signal
.CLKFBIN(CLKFBIN), // Clock feedback input
.CLKIN1(CLKIN1), // Primary clock input
.CLKIN2(CLKIN2), // Secondary clock input
.CLKINSEL(CLKINSEL), // Selects '1' = CLKIN1, '0' = CLKIN2
.DADDR(DADDR), // Dynamic reconfig address input (5-bits)
.DCLK(DCLK), // Dynamic reconfig clock input
.DEN(DEN), // Dynamic reconfig enable input
.DI(DI), // Dynamic reconfig data input (16-bits)
.DWE(DWE), // Dynamic reconfig write enable input
.REL(REL), // Clock release input (PMCD mode only)
.RST(RST) // Asynchronous PLL reset
);

// End of PLL_ADV_inst instantiation

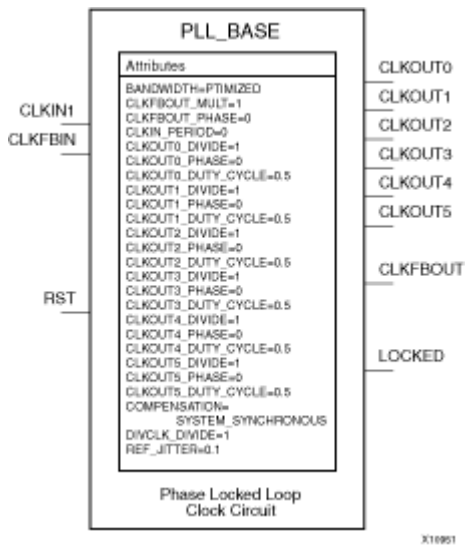
```

For More Information

- See the [Virtex-5 User Guide](#).
- See the [Virtex-5 Data Sheets](#).

PLL_BASE

Primitive: Basic Phase Locked Loop Clock Circuit



Introduction

This design element is a direct sub-set of the PLL_ADV design element, an embedded Phase Locked Loop clock circuit that provides added capabilities for clock synthesis and management both within the FPGA and in circuits external to the FPGA. The PLL_BASE is provided in order to ease the integration for most PLL clocking circuits. However, this primitive does not contain all of the functionality that the PLL can possibly provide. This component allows the input clock to be phase shifted, multiplied and divided, and supports other features, such as modification of the duty cycle and jitter filtering.

Port Descriptions

Port	Direction	Width	Function
Clock Outputs/Inputs			
CLKOUT0-5	Output	1	One of six phase controlled output clocks from the PLL.
CLKFBOUT	Output	1	Dedicated PLL feedback output used to determine how the PLL compensates clock network delay. Depending on the type of compensation desired, this output might or might not need to be connected.
CLKIN	Input	1	Clock source input to the PLL. This pin can be driven by a dedicated clock pin to the FPGA, a DCM output clock pin, or a BUFG output.
CLKFBIN	Input	1	Clock feedback input. This pin should only be sourced from the CLKFBOUT port.
Status Outputs/Control Inputs			
LOCKED	Output	1	Synchronous output from the PLL that provides you with an indication the PLL has achieved phase alignment and is ready for operation.
RST	Input	1	Asynchronous reset of the PLL.

Design Entry Method

Instantiation	Recommended
Inference	No
Coregen and wizards	No
Macro support	No

Available Attributes

Attribute	Type	Allowed Values	Default	Description
COMPENSATION	String	"SYSTEM_SYNCHRONOUS", "SOURCE_SYNCHRONOUS"	"SYSTEM_SYNCHRONOUS"	Specifies the PLL phase compensation for the incoming clock. SYSTEM_SYNCHRONOUS attempts to compensate all clock delay while SOURCE_SYNCHRONOUS is used when a clock is provided with data and thus phased with the clock.
BANDWIDTH	String	"HIGH", "LOW", "OPTIMIZED"	"OPTIMIZED"	Specifies the PLL programming algorithm affecting the jitter, phase margin and other characteristics of the PLL.
CLKOUT0_DIVIDE, CLKOUT1_DIVIDE, CLKOUT2_DIVIDE, CLKOUT3_DIVIDE, CLKOUT4_DIVIDE, CLKOUT5_DIVIDE	Integer	1 to 128	1	Specifies the amount to divide the associated CLKOUT clock output if a different frequency is desired. This number in combination with the FBCLKOUT_MULT value determines the output frequency.
CLKOUT0_PHASE, CLKOUT1_PHASE, CLKOUT2_PHASE, CLKOUT3_PHASE, CLKOUT4_PHASE, CLKOUT5_PHASE	Real	0.01 to 360.0	0.0	Allows specification of the output phase relationship of the associated CLKOUT clock output in number of degrees offset (i.e. 90 indicates a 90 degree or ¼ cycle offset phase offset while 180 indicates a 180 degree offset or ½ cycle phase offset).
CLKOUT0_DUTY_CYCLE, CLKOUT1_DUTY_CYCLE, CLKOUT2_DUTY_CYCLE, CLKOUT3_DUTY_CYCLE, CLKOUT4_DUTY_CYCLE, CLKOUT5_DUTY_CYCLE	Real	0.01 to 0.99	0.50	Specifies the Duty Cycle of the associated CLKOUT clock output in percentage (i.e. 0.50 generates a 50% duty cycle).
CLKFBOUT_MULT	Integer	1 to 64	1	Specifies the amount to multiply all CLKOUT clock outputs if a different frequency is desired. This number in combination with the associated CLKOUT#_DIVIDE value determines the output frequency.
DIVCLK_DIVIDE	Integer	1 to 52	1	Specifies the division ratio for all output clocks.

Attribute	Type	Allowed Values	Default	Description
CLKFBOUT_PHASE	Real	0.0 to 360	0.0	Specifies the phase offset in degrees of the clock feedback output.
REF_JITTER	Real	0.000 to 0.999	0.100	The reference clock jitter is specified in terms of the UI which is a percentage of the reference clock. The number provided should be the maximum peak to peak value on the input clock.
CLKIN_PERIOD	Real	1.000 to 52.630	0.000	Specified the input period in ns to the PLL CLKIN input.

VHDL Instantiation Template

Unless they already exist, copy the following two statements and paste them before the entity declaration.

```

Library UNISIM;
use UNISIM.vcomponents.all;

-- PLL_BASE: Phase-Lock Loop Clock Circuit
--      Virtex-5
-- Xilinx HDL Libraries Guide, version 10.1.2

PLL_BASE_inst : PLL_BASE
generic map (
BANDWIDTH => "OPTIMIZED", -- "HIGH", "LOW" or "OPTIMIZED"
CLKFBOUT_MULT => 1, -- Multiplication factor for all output clocks
CLKFBOUT_PHASE => 0.0, -- Phase shift (degrees) of all output clocks
CLKIN_PERIOD => 0.000, -- Clock period (ns) of input clock on CLKIN
CLKOUT0_DIVIDE => 1, -- Division factor for CLKOUT0 (1 to 128)
CLKOUT0_DUTY_CYCLE => 0.5, -- Duty cycle for CLKOUT0 (0.01 to 0.99)
CLKOUT0_PHASE => 0.0, -- Phase shift (degrees) for CLKOUT0 (0.0 to 360.0)
CLKOUT1_DIVIDE => 1, -- Division factor for CLKOUT1 (1 to 128)
CLKOUT1_DUTY_CYCLE => 0.5, -- Duty cycle for CLKOUT1 (0.01 to 0.99)
CLKOUT1_PHASE => 0.0, -- Phase shift (degrees) for CLKOUT1 (0.0 to 360.0)
CLKOUT2_DIVIDE => 1, -- Division factor for CLKOUT2 (1 to 128)
CLKOUT2_DUTY_CYCLE => 0.5, -- Duty cycle for CLKOUT2 (0.01 to 0.99)
CLKOUT2_PHASE => 0.0, -- Phase shift (degrees) for CLKOUT2 (0.0 to 360.0)
CLKOUT3_DIVIDE => 1, -- Division factor for CLKOUT3 (1 to 128)
CLKOUT3_DUTY_CYCLE => 0.5, -- Duty cycle for CLKOUT3 (0.01 to 0.99)
CLKOUT3_PHASE => 0.0, -- Phase shift (degrees) for CLKOUT3 (0.0 to 360.0)
CLKOUT4_DIVIDE => 1, -- Division factor for CLKOUT4 (1 to 128)
CLKOUT4_DUTY_CYCLE => 0.5, -- Duty cycle for CLKOUT4 (0.01 to 0.99)
CLKOUT4_PHASE => 0.0, -- Phase shift (degrees) for CLKOUT4 (0.0 to 360.0)
CLKOUT5_DIVIDE => 1, -- Division factor for CLKOUT5 (1 to 128)
CLKOUT5_DUTY_CYCLE => 0.5, -- Duty cycle for CLKOUT5 (0.01 to 0.99)
CLKOUT5_PHASE => 0.0, -- Phase shift (degrees) for CLKOUT5 (0.0 to 360.0)
COMPENSATION => "SYSTEM_SYNCHRONOUS", -- "SYSTEM_SYNCHRONOUS",
-- "SOURCE_SYNCHRONOUS", "INTERNAL",
-- "EXTERNAL", "DCM2PLL", "PLL2DCM"
DIVCLK_DIVIDE => 1, -- Division factor for all clocks (1 to 52)
REF_JITTER => 0.100) -- Input reference jitter (0.000 to 0.999 UI%)
port map (
CLKFBOUT => CLKFBOUT, -- General output feedback signal
CLKOUT0 => CLKOUT0, -- One of six general clock output signals
CLKOUT1 => CLKOUT1, -- One of six general clock output signals
CLKOUT2 => CLKOUT2, -- One of six general clock output signals
CLKOUT3 => CLKOUT3, -- One of six general clock output signals
CLKOUT4 => CLKOUT4, -- One of six general clock output signals
CLKOUT5 => CLKOUT5, -- One of six general clock output signals
LOCKED => LOCKED, -- Active high PLL lock signal
CLKFBIN => CLKFBIN, -- Clock feedback input
CLKIN => CLKIN, -- Clock input
RST => RST -- Asynchronous PLL reset
);

-- End of PLL_BASE_inst instantiation
    
```

Verilog Instantiation Template

```
// PLL_BASE: Phase-Lock Loop Clock Circuit
//      Virtex-5
// Xilinx HDL Libraries Guide, version 10.1.2

PLL_BASE #(
.BANDWIDTH("OPTIMIZED"), // "HIGH", "LOW" or "OPTIMIZED"
.CLKFBOUT_MULT(1), // Multiplication factor for all output clocks
.CLKFBOUT_PHASE(0.0), // Phase shift (degrees) of all output clocks
.CLKIN_PERIOD(0.000), // Clock period (ns) of input clock on CLKIN
.CLKOUT0_DIVIDE(1), // Division factor for CLKOUT0 (1 to 128)
.CLKOUT0_DUTY_CYCLE(0.5), // Duty cycle for CLKOUT0 (0.01 to 0.99)
.CLKOUT0_PHASE(0.0), // Phase shift (degrees) for CLKOUT0 (0.0 to 360.0)
.CLKOUT1_DIVIDE(1), // Division factor for CLKOUT1 (1 to 128)
.CLKOUT1_DUTY_CYCLE(0.5), // Duty cycle for CLKOUT1 (0.01 to 0.99)
.CLKOUT1_PHASE(0.0), // Phase shift (degrees) for CLKOUT1 (0.0 to 360.0)
.CLKOUT2_DIVIDE(1), // Division factor for CLKOUT2 (1 to 128)
.CLKOUT2_DUTY_CYCLE(0.5), // Duty cycle for CLKOUT2 (0.01 to 0.99)
.CLKOUT2_PHASE(0.0), // Phase shift (degrees) for CLKOUT2 (0.0 to 360.0)
.CLKOUT3_DIVIDE(1), // Division factor for CLKOUT3 (1 to 128)
.CLKOUT3_DUTY_CYCLE(0.5), // Duty cycle for CLKOUT3 (0.01 to 0.99)
.CLKOUT3_PHASE(0.0), // Phase shift (degrees) for CLKOUT3 (0.0 to 360.0)
.CLKOUT4_DIVIDE(1), // Division factor for CLKOUT4 (1 to 128)
.CLKOUT4_DUTY_CYCLE(0.5), // Duty cycle for CLKOUT4 (0.01 to 0.99)
.CLKOUT4_PHASE(0.0), // Phase shift (degrees) for CLKOUT4 (0.0 to 360.0)
.CLKOUT5_DIVIDE(1), // Division factor for CLKOUT5 (1 to 128)
.CLKOUT5_DUTY_CYCLE(0.5), // Duty cycle for CLKOUT5 (0.01 to 0.99)
.CLKOUT5_PHASE(0.0), // Phase shift (degrees) for CLKOUT5 (0.0 to 360.0)
.COMPENSATION("SYSTEM_SYNCHRONOUS"), // "SYSTEM_SYNCHRONOUS",
// "SOURCE_SYNCHRONOUS", "INTERNAL", "EXTERNAL",
// "DCM2PLL", "PLL2DCM"
.DIVCLK_DIVIDE(1), // Division factor for all clocks (1 to 52)
.REF_JITTER(0.100) // Input reference jitter (0.000 to 0.999 UI%)
) PLL_BASE_inst (
.CLKFBOUT(CLKFBOUT), // General output feedback signal
.CLKOUT0(CLKOUT0), // One of six general clock output signals
.CLKOUT1(CLKOUT1), // One of six general clock output signals
.CLKOUT2(CLKOUT2), // One of six general clock output signals
.CLKOUT3(CLKOUT3), // One of six general clock output signals
.CLKOUT4(CLKOUT4), // One of six general clock output signals
.CLKOUT5(CLKOUT5), // One of six general clock output signals
.LOCKED(LOCKED), // Active high PLL lock signal
.CLKFBIN(CLKFBIN), // Clock feedback input
.CLKIN(CLKIN), // Clock input
.RST(RST) // Asynchronous PLL reset
);

// End of PLL_BASE_inst instantiation
```

For More Information

- See the [Virtex-5 User Guide](#).
- See the [Virtex-5 Data Sheets](#).

PPC440

PowerPC® 440 CPU Core

Introduction

This design element is a dual issue, superscalar processor that provides significant performance improvement over the older PowerPC® 405 while implementing the same instruction set architecture.

Design Entry Method

Instantiation	No
Inference	No
Coregen and wizards	Recommended
Macro support	No

For More Information

- See the [IBM PPC440x5 CPU Core User's Manual](#).
- See the [Virtex-5 Data Sheets](#).
- See the [Virtex-5 User Guide](#).

PULLDOWN

Primitive: Resistor to GND for Input Pads, Open-Drain, and 3-State Outputs

PULLDOWN



X19996

Introduction

This resistor element is connected to input, output, or bidirectional pads to guarantee a logic Low level for nodes that might float.

Port Descriptions

Port	Direction	Width	Function
O	Output	1	Pulldown output (connect directly to top level port)

Design Entry Method

Instantiation	Yes
Inference	Recommended
Coregen and wizards	No
Macro support	No

VHDL Instantiation Template

Unless they already exist, copy the following two statements and paste them before the entity declaration.

```
Library UNISIM;
use UNISIM.vcomponents.all;

-- PULLDOWN: I/O Buffer Weak Pull-down
--           All FPGA
-- Xilinx HDL Libraries Guide, version 10.1.2

PULLDOWN_inst : PULLDOWN
port map (
O => O      -- Pulldown output (connect directly to top-level port)
);

-- End of PULLDOWN_inst instantiation
```

Verilog Instantiation Template

```
// PULLDOWN: I/O Buffer Weak Pull-down
//           All FPGA
// Xilinx HDL Libraries Guide, version 10.1.2
```

Libraries Guide

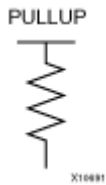
```
PULLDOWN PULLDOWN_inst (  
.O(0)      // Pulldown output (connect directly to top-level port)  
);  
  
// End of PULLDOWN_inst instantiation
```

For More Information

- See the [Virtex-5 User Guide](#).
- See the [Virtex-5 Data Sheets](#).

PULLUP

Primitive: Resistor to VCC for Input PADS, Open-Drain, and 3-State Outputs



Introduction

This design element allows for an input, 3-state output or bi-directional port to be driven to a weak high value when not being driven by an internal or external source. This element establishes a High logic level for open-drain elements and macros when all the drivers are off.

Port Descriptions

Port	Direction	Width	Function
O	Output	1	Pullup output (connect directly to top level port)

Design Entry Method

Instantiation	Yes
Inference	Recommended
Coregen and wizards	No
Macro support	No

VHDL Instantiation Template

Unless they already exist, copy the following two statements and paste them before the entity declaration.

```
Library UNISIM;
use UNISIM.vcomponents.all;

-- PULLUP: I/O Buffer Weak Pull-up
--       All FPGA, CoolRunner-II
-- Xilinx HDL Libraries Guide, version 10.1.2

PULLUP_inst : PULLUP
port map (
O => O      -- Pullup output (connect directly to top-level port)
);

-- End of PULLUP_inst instantiation
```

Verilog Instantiation Template

```
// PULLUP: I/O Buffer Weak Pull-up
//       All FPGA, CoolRunner-II
// Xilinx HDL Libraries Guide, version 10.1.2
```

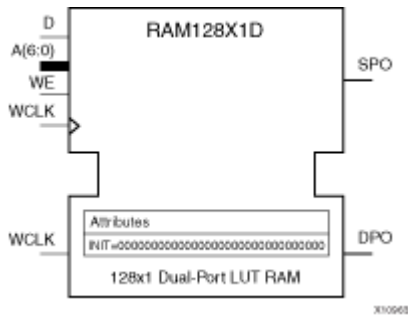
```
PULLUP PULLUP_inst (  
.O(0) // Pullup output (connect directly to top-level port)  
);  
  
// End of PULLUP_inst instantiation
```

For More Information

- See the [Virtex-5 User Guide](#).
- See the [Virtex-5 Data Sheets](#).

RAM128X1D

Primitive: 128-Deep by 1-Wide Dual Port Random Access Memory (Select RAM)



Introduction

This design element is a 128-bit deep by 1-bit wide random access memory and has a read/write port that writes the value on the D input data pin when the write enable (WE) is high to the location specified by the A address bus. This happens shortly after the rising edge of the WCLK and that same value is reflected in the data output SPO. When WE is low, an asynchronous read is initiated in which the contents of the memory location specified by the A address bus is output asynchronously to the SPO output. The read port can perform asynchronous read access of the memory by changing the value of the address bus DPRA, and by outputting that value to the DPO data output.

Port Descriptions

Port	Direction	Width	Function
SPO	Output	1	Read/Write port data output addressed by A
DPO	Output	1	Read port data output addressed by DPRA
D	Input	1	Write data input addressed by A
A	Input	7	Read/Write port address bus
DPRA	Input	7	Read port address bus
WE	Input	1	Write Enable
WCLK	Input	1	Write clock (reads are asynchronous)

If instantiated, the following connections should be made to this component:

- Tie the WCLK input to the desired clock source, the D input to the data source to be stored and the DPO output to an FDCE D input or other appropriate data destination.
- Optionally, the SPO output can also be connected to the appropriate data destination or else left unconnected.
- The WE clock enable pin should be connected to the proper write enable source in the design.
- The 7-bit A bus should be connected to the source for the read/write addressing and the 7-bit DPRA bus should be connected to the appropriate read address connections.
- An optional INIT attribute consisting of a 128-bit Hexadecimal value can be specified to indicate the initial contents of the RAM.

If left unspecified, the initial contents default to all zeros.

Design Entry Method

Instantiation	Yes
Inference	Recommended
Coregen and wizards	No
Macro support	No

Available Attributes

Attribute	Type	Allowed Values	Default	Description
INIT	Hexadecimal	Any 128-Bit Value	All zeros	Specifies the initial contents of the RAM.

VHDL Instantiation Template

Unless they already exist, copy the following two statements and paste them before the entity declaration.

```
Library UNISIM;
use UNISIM.vcomponents.all;

-- RAM128X1D: 128-deep by 1-wide positive edge write, asynchronous read
--           dual-port distributed LUT RAM
--           Virtex-5
-- Xilinx HDL Libraries Guide, version 10.1.2

RAM128X1D_inst : RAM128X1D
generic map (
  INIT => X"00000000000000000000000000000000"
)
port map (
  DPO => DPO,      -- Read/Write port 1-bit output
  SPO => SPO,      -- Read port 1-bit output
  A => A,          -- Read/Write port 7-bit address input
  D => D,          -- RAM data input
  DPRA => DPRA,    -- Read port 7-bit address input
  WCLK => WCLK,    -- Write clock input
  WE => WE         -- RAM data input
);

-- End of RAM128X1D_inst instantiation
```

Verilog Instantiation Template

```
// RAM128X1D: 128-deep by 1-wide positive edge write, asynchronous read
//           dual-port distributed LUT RAM
//           Virtex-5
// Xilinx HDL Libraries Guide, version 10.1.2

RAM128X1D #(
  .INIT(128'h00000000000000000000000000000000)
) RAM128X1D_inst (
  .DPO(DPO),     // Read port 1-bit output
  .SPO(SPO),     // Read/Write port 1-bit output
  .A(A),         // Read/Write port 7-bit address input
  .D(D),         // RAM data input
  .DPRA(DPRA),  // Read port 7-bit address input
  .WCLK(WCLK),  // Write clock input
  .WE(WE)       // Write enable input
);
```

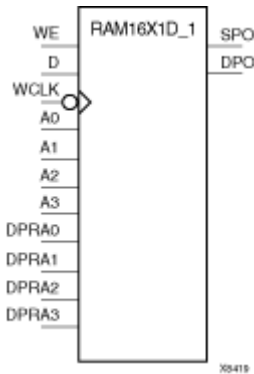
```
// End of RAM128X1D_inst instantiation
```

For More Information

- See the [Virtex-5 User Guide](#).
- See the [Virtex-5 Data Sheets](#).

RAM16X1D_1

Primitive: 16-Deep by 1-Wide Static Dual Port Synchronous RAM with Negative-Edge Clock



Introduction

This is a 16-word by 1-bit static dual port random access memory with synchronous write capability and negative-edge clock. The device has two separate address ports: the read address (DPRA3–DPRA0) and the write address (A3–A0). These two address ports are asynchronous. The read address controls the location of the data driven out of the output pin (DPO), and the write address controls the destination of a valid write transaction.

When the write enable (WE) is set to Low, transitions on the write clock (WCLK) are ignored and data stored in the RAM is not affected. When (WE) is High, any negative transition on (WCLK) loads the data on the data input (D) into the word selected by the 4-bit write address. For predictable performance, write address and data inputs must be stable before a High-to-Low WCLK transition. This RAM block assumes an active-High (WCLK). (WCLK) can be active-High or active-Low. Any inverter placed on the (WCLK) input net is absorbed into the block.

You can initialize RAM16X1D_1 during configuration using the INIT attribute.

The SPO output reflects the data in the memory cell addressed by A3–A0. The DPO output reflects the data in the memory cell addressed by DPRA3–DPRA0.

Note The write process is not affected by the address on the read address port.

Logic Table

Mode selection is shown in the following logic table:

Inputs			Outputs	
WE (mode)	WCLK	D	SPO	DPO
0 (read)	X	X	data_a	data_d
1 (read)	0	X	data_a	data_d
1 (read)	1	X	data_a	data_d
1 (write)	↓	D	D	data_d
1 (read)	↑	X	data_a	data_d

data_a = word addressed by bits A3 – A0
 data_d = word addressed by bits DPRA3-DPRA0

Port Descriptions

Port	Direction	Width	Function
DPO	Output	1	Read-only 1-Bit data output
SPO	Output	1	R/W 1-Bit data output
A0	Input	1	R/W address[0] input
A1	Input	1	R/W address[1] input
A2	Input	1	R/W address[2] input
A3	Input	1	R/W address[3] input
D	Input	1	Write 1-Bit data input
DPRA0	Input	1	Read-only address[0] input
DPRA1	Input	1	Read-only address[1] input
DPRA2	Input	1	Read-only address[2] input
DPRA3	Input	1	Read-only address[3] input
WCLK	Input	1	Write clock input
WE	Input	1	Write enable input

Design Entry Method

Instantiation	Yes
Inference	Recommended
Coregen and wizards	No
Macro support	No

Available Attributes

Attribute	Type	Allowed Values	Default	Description
INIT	Hexadecimal	Any 16-Bit Value	All zeros	Initializes RAMs, registers, and look-up tables.

VHDL Instantiation Template

Unless they already exist, copy the following two statements and paste them before the entity declaration.

```

Library UNISIM;
use UNISIM.vcomponents.all;

-- RAM16X1D_1: 16 x 1 negative edge write, asynchronous read dual-port distributed RAM
--           All FPGA
-- Xilinx HDL Libraries Guide, version 10.1.2

RAM16X1D_1_inst : RAM16X1D_1
generic map (
  INIT => X"0000")
port map (
  DPO => DPO,      -- Read-only 1-bit data output for DPRA
  SPO => SPO,      -- R/W 1-bit data output for A0-A3
  A0 => A0,        -- R/W address[0] input bit
  A1 => A1,        -- R/W address[1] input bit

```

```

A2 => A2,      -- R/W address[2] input bit
A3 => A3,      -- R/W address[3] input bit
D => D,        -- Write 1-bit data input
DPRA0 => DPRA0, -- Read-only address[0] input bit
DPRA1 => DPRA1, -- Read-only address[1] input bit
DPRA2 => DPRA2, -- Read-only address[2] input bit
DPRA3 => DPRA3, -- Read-only address[3] input bit
WCLK => WCLK,  -- Write clock input
WE => WE       -- Write enable input
);

-- End of RAM16X1D_1_inst instantiation

```

Verilog Instantiation Template

```

// RAM16X1D_1: 16 x 1 negative edge write, asynchronous read dual-port distributed RAM
//           Virtex/E/-II/-II-Pro, Spartan-II/IIIE/3/3E/3A
// Xilinx HDL Libraries Guide, version 10.1.2

RAM16X1D_1 #(
  .INIT(16'h0000) // Initial contents of RAM
) RAM16X1D_1_inst (
  .DPO(DPO),      // Read-only 1-bit data output
  .SPO(SPO),      // R/W 1-bit data output
  .A0(A0),        // R/W address[0] input bit
  .A1(A1),        // R/W address[1] input bit
  .A2(A2),        // R/W address[2] input bit
  .A3(A3),        // R/W address[3] input bit
  .D(D),          // Write 1-bit data input
  .DPRA0(DPRA0), // Read-only address[0] input bit
  .DPRA1(DPRA1), // Read-only address[1] input bit
  .DPRA2(DPRA2), // Read-only address[2] input bit
  .DPRA3(DPRA3), // Read-only address[3] input bit
  .WCLK(WCLK),   // Write clock input
  .WE(WE)        // Write enable input
);

// End of RAM16X1D_1_inst instantiation

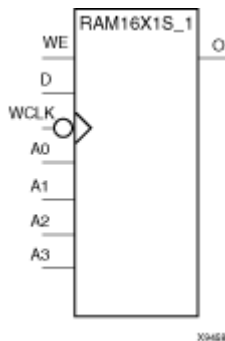
```

For More Information

- See the [Virtex-5 User Guide](#).
- See the [Virtex-5 Data Sheets](#).

RAM16X1S_1

Primitive: 16-Deep by 1-Wide Static Synchronous RAM with Negative-Edge Clock



Introduction

This element is a 16-word by 1-bit static random access memory with synchronous write capability and negative-edge clock. When the write enable (WE) is Low, transitions on the write clock (WCLK) are ignored and data stored in the RAM is not affected. When (WE) is High, any negative transition on (WCLK) loads the data on the data input (D) into the word selected by the 4-bit address (A3 – A0). For predictable performance, address and data inputs must be stable before a High-to-Low WCLK transition. This RAM block assumes an active-Low (WCLK). However, (WCLK) can be active-High or active-Low. Any inverter placed on the (WCLK) input net is absorbed into the block.

The signal output on the data output pin (O) is the data that is stored in the RAM at the location defined by the values on the address pins.

You can initialize this element during configuration using the INIT attribute.

Logic Table

Inputs			Outputs
WE(mode)	WCLK	D	O
0 (read)	X	X	Data
1 (read)	0	X	Data
1 (read)	1	X	Data
1 (write)	↓	D	D
1 (read)	↑	X	Data

Data = word addressed by bits A3 – A0

Design Entry Method

Instantiation	Yes
Inference	Recommended
Coregen and wizards	No
Macro support	No

Available Attributes

Attribute	Type	Allowed Values	Default	Description
INIT	Hexadecimal	Any 16-Bit Value	All zeros	Specifies initial contents of the RAM.

VHDL Instantiation Template

Unless they already exist, copy the following two statements and paste them before the entity declaration.

```

Library UNISIM;
use UNISIM.vcomponents.all;

-- RAM16X1S_1: 16 x 1 negedge write distributed => LUT RAM
--           All FPGA
-- Xilinx HDL Libraries Guide, version 10.1.2

RAM16X1S_1_inst : RAM16X1S_1
generic map (
INIT => X"0000")
port map (
O => O,          -- RAM output
A0 => A0,        -- RAM address[0] input
A1 => A1,        -- RAM address[1] input
A2 => A2,        -- RAM address[2] input
A3 => A3,        -- RAM address[3] input
D => D,          -- RAM data input
WCLK => WCLK,    -- Write clock input
WE => WE         -- Write enable input
);

-- End of RAM16X1S_1_inst instantiation
    
```

Verilog Instantiation Template

```

// RAM16X1S_1: 16 x 1 negedge write distributed (LUT) RAM
//           All FPGA
// Xilinx HDL Libraries Guide, version 10.1.2

RAM16X1S_1 #(
.INIT(16'h0000) // Initial contents of RAM
) RAM16X1S_1_inst (
.O(O),          // RAM output
.A0(A0),        // RAM address[0] input
.A1(A1),        // RAM address[1] input
.A2(A2),        // RAM address[2] input
.A3(A3),        // RAM address[3] input
.D(D),          // RAM data input
.WCLK(WCLK),    // Write clock input
.WE(WE)         // Write enable input
);

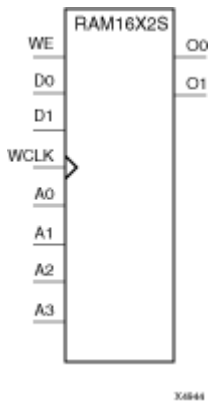
// End of RAM16X1S_1_inst instantiation
    
```

For More Information

- See the [Virtex-5 User Guide](#).
- See the [Virtex-5 Data Sheets](#).

RAM16X2S

Primitive: 16-Deep by 2-Wide Static Synchronous RAM



Introduction

This element is a 16-word by 2-bit static random access memory with synchronous write capability. When the write enable (WE) is Low, transitions on the write clock (WCLK) are ignored and data stored in the RAM is not affected. When WE is High, any positive transition on WCLK loads the data on the data input (D1–D0) into the word selected by the 4-bit address (A3–A0). For predictable performance, address and data inputs must be stable before a Low-to-High WCLK transition. This RAM block assumes an active-High WCLK. However, WCLK can be active-High or active-Low. Any inverter placed on the WCLK input net is absorbed into the block.

The signal output on the data output pins (O1–O0) is the data that is stored in the RAM at the location defined by the values on the address pins.

You can use the INIT_x properties to specify the initial contents of a Virtex-4 wide RAM. INIT_00 initializes the RAM cells corresponding to the O0 output, INIT_01 initializes the cells corresponding to the O1 output, etc. For example, a RAM16X2S instance is initialized by INIT_00 and INIT_01 containing 4 hex characters each. A RAM16X8S instance is initialized by eight properties INIT_00 through INIT_07 containing 4 hex characters each. A RAM64x2S instance is completely initialized by two properties INIT_00 and INIT_01 containing 16 hex characters each.

Except for Virtex-4 devices, the initial contents of this element cannot be specified directly.

Logic Table

Inputs			Outputs
WE (mode)	WCLK	D1-D0	O1-O0
0 (read)	X	X	Data
1 (read)	0	X	Data
1 (read)	1	X	Data
1 (write)	↑	D1-D0	D1-D0
1 (read)	↓	X	Data
Data = word addressed by bits A3 – A0			

Design Entry Method

Instantiation	Yes
Inference	Recommended
Coregen and wizards	No
Macro support	No

Available Attributes

Attribute	Type	Allowed Values	Default	Description
INIT_00 to INIT_01	Hexadecimal	Any 16-Bit Value	All zeros	Initializes RAMs, registers, and look-up tables.

VHDL Instantiation Template

Unless they already exist, copy the following two statements and paste them before the entity declaration.

```

Library UNISIM;
use UNISIM.vcomponents.all;

-- RAM16X2S: 16 x 2 posedge write distributed => LUT RAM
--           Virtex-II/II-Pro, Spartan-3/3E/3A
-- Xilinx HDL Libraries Guide, version 10.1.2

RAM16X2S_inst : RAM16X2S
generic map (
INIT_00 => X"0000", -- INIT for bit 0 of RAM
INIT_01 => X"0000") -- INIT for bit 1 of RAM
port map (
O0 => O0,      -- RAM data[0] output
O1 => O1,      -- RAM data[1] output
A0 => A0,      -- RAM address[0] input
A1 => A1,      -- RAM address[1] input
A2 => A2,      -- RAM address[2] input
A3 => A3,      -- RAM address[3] input
D0 => D0,      -- RAM data[0] input
D1 => D1,      -- RAM data[1] input
WCLK => WCLK,  -- Write clock input
WE => WE       -- Write enable input
);

-- End of RAM16X2S_inst instantiation
    
```

Verilog Instantiation Template

```

// RAM16X2S: 16 x 2 posedge write distributed (LUT) RAM
//           Virtex-II/II-Pro, Spartan-3/3E/3A
// Xilinx HDL Libraries Guide, version 10.1.2

RAM16X2S #(
.INIT_00(16'h0000), // Initial contents of bit 0 of RAM
.INIT_01(16'h0000) // Initial contents of bit 1 of RAM
) RAM16X2S_inst (
.O0(O0),           // RAM data[0] output
.O1(O1),           // RAM data[1] output
.A0(A0),           // RAM address[0] input
.A1(A1),           // RAM address[1] input
.A2(A2),           // RAM address[2] input
.A3(A3),           // RAM address[3] input
    
```

```
.D0(D0),      // RAM data[0] input
.D1(D1),      // RAM data[1] input
.WCLK(WCLK), // Write clock input
.WE(WE)       // Write enable input
);

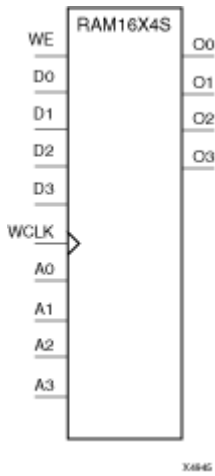
// End of RAM16X2S_inst instantiation
```

For More Information

- See the [Virtex-5 User Guide](#).
- See the [Virtex-5 Data Sheets](#).

RAM16X4S

Primitive: 16-Deep by 4-Wide Static Synchronous RAM



Introduction

This element is a 16-word by 4-bit static random access memory with synchronous write capability. When the write enable (WE) is Low, transitions on the write clock (WCLK) are ignored and data stored in the RAM is not affected. When WE is High, any positive transition on WCLK loads the data on the data input (D3 – D0) into the word selected by the 4-bit address (A3 – A0). For predictable performance, address and data inputs must be stable before a Low-to-High WCLK transition. This RAM block assumes an active-High WCLK. However, WCLK can be active-High or active-Low. Any inverter placed on the WCLK input net is absorbed into the block.

The signal output on the data output pins (O3 – O0) is the data that is stored in the RAM at the location defined by the values on the address pins.

Logic Table

Inputs			Outputs
WE (mode)	WCLK	D3 – D0	O3 – O0
0 (read)	X	X	Data
1 (read)	0	X	Data
1 (read)	1	X	Data
1 (write)	↑	D3-D0	D3-D0
1 (read)	↓	X	Data

Data = word addressed by bits A3 – A0.

Design Entry Method

Instantiation	Yes
Inference	Recommended

Coregen and wizards	No
Macro support	No

Available Attributes

Attribute	Type	Allowed Values	Default	Description
INIT_00 to INIT_03	Hexadecimal	Any 16-Bit Value	All zeros	INIT for bit 0 of RAM

VHDL Instantiation Template

Unless they already exist, copy the following two statements and paste them before the entity declaration.

```
Library UNISIM;
use UNISIM.vcomponents.all;

-- RAM16X4S: 16 x 4 posedge write distributed => LUT RAM
--           Virtex-II/II-Pro, Spartan-3/3E/3A
-- Xilinx HDL Libraries Guide, version 10.1.2

RAM16X4S_inst : RAM16X4S
generic map (
  INIT_00 => X"0000", -- INIT for bit 0 of RAM
  INIT_01 => X"0000", -- INIT for bit 1 of RAM
  INIT_02 => X"0000", -- INIT for bit 2 of RAM
  INIT_03 => X"0000") -- INIT for bit 3 of RAM
port map (
  O0 => O0,      -- RAM data[0] output
  O1 => O1,      -- RAM data[1] output
  O2 => O2,      -- RAM data[2] output
  O3 => O3,      -- RAM data[3] output
  A0 => A0,      -- RAM address[0] input
  A1 => A1,      -- RAM address[1] input
  A2 => A2,      -- RAM address[2] input
  A3 => A3,      -- RAM address[3] input
  D0 => D0,      -- RAM data[0] input
  D1 => D1,      -- RAM data[1] input
  D2 => D2,      -- RAM data[2] input
  D3 => D3,      -- RAM data[3] input
  WCLK => WCLK,  -- Write clock input
  WE => WE       -- Write enable input
);

-- End of RAM16X4S_inst instantiation
```

Verilog Instantiation Template

```
// RAM16X4S: 16 x 4 posedge write distributed (LUT) RAM
//           Virtex-II/II-Pro, Spartan-3/3E/3A
// Xilinx HDL Libraries Guide, version 10.1.2

RAM16X4S #(
  .INIT_00(16'h0000), // INIT for bit 0 of RAM
  .INIT_01(16'h0000), // INIT for bit 1 of RAM
  .INIT_02(16'h0000), // INIT for bit 2 of RAM
  .INIT_03(16'h0000) // INIT for bit 3 of RAM
) RAM16X4S_inst (
  .O0(O0),           // RAM data[0] output
  .O1(O1),           // RAM data[1] output
  .O2(O2),           // RAM data[2] output
  .O3(O3),           // RAM data[3] output
  .A0(A0),           // RAM address[0] input
```

```
.A1(A1),      // RAM address[1] input
.A2(A2),      // RAM address[2] input
.A3(A3),      // RAM address[3] input
.D0(D0),      // RAM data[0] input
.D1(D1),      // RAM data[1] input
.D2(D2),      // RAM data[2] input
.D3(D3),      // RAM data[3] input
.WCLK(WCLK), // Write clock input
.WE(WE)       // Write enable input
);

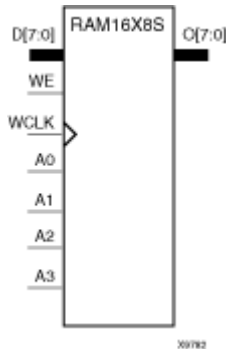
// End of RAM16X4S_inst instantiation
```

For More Information

- See the [Virtex-5 User Guide](#).
- See the [Virtex-5 Data Sheets](#).

RAM16X8S

Primitive: 16-Deep by 8-Wide Static Synchronous RAM



Introduction

This element is a 16-word by 8-bit static random access memory with synchronous write capability. When the write enable (WE) is Low, transitions on the write clock (WCLK) are ignored and data stored in the RAM is not affected. When WE is High, any positive transition on WCLK loads the data on data inputs (D7–D0) into the word selected by the 4-bit address (A3–A0). For predictable performance, address and data inputs must be stable before a Low-to-High WCLK transition. This RAM block assumes an active-High WCLK. However, WCLK can be active-High or active-Low. Any inverter placed on the WCLK input net is absorbed into the block.

The signal output on the data output pins (O7–O0) is the data that is stored in the RAM at the location defined by the values on the address pins.

Logic Table

Inputs			Outputs
WE (mode)	WCLK	D7-D0	O7-O0
0 (read)	X	X	Data
1 (read)	0	X	Data
1 (read)	1	X	Data
1 (write)	↑	D7-D0	D7-D0
1 (read)	↓	X	Data

Data = word addressed by bits A3–A0

Design Entry Method

Instantiation	Yes
Inference	Recommended
Coregen and wizards	No
Macro support	No

Available Attributes

Attribute	Type	Allowed Values	Default	Description
INIT_00 To INIT_07	Hexadecimal	Any 16-Bit Value	All zeros	Initializes RAMs, registers, and look-up tables.

VHDL Instantiation Template

Unless they already exist, copy the following two statements and paste them before the entity declaration.

```
Library UNISIM;
use UNISIM.vcomponents.all;

-- RAM16X8S: 16 x 8 posedge write distributed => LUT RAM
--           Virtex-II/II-Pro
-- Xilinx HDL Libraries Guide, version 10.1.2

RAM16X8S_inst : RAM16X8S
generic map (
INIT_00 => X"0000", -- INIT for bit 0 of RAM
INIT_01 => X"0000", -- INIT for bit 1 of RAM
INIT_02 => X"0000", -- INIT for bit 2 of RAM
INIT_03 => X"0000", -- INIT for bit 3 of RAM
INIT_04 => X"0000", -- INIT for bit 4 of RAM
INIT_05 => X"0000", -- INIT for bit 5 of RAM
INIT_06 => X"0000", -- INIT for bit 6 of RAM
INIT_07 => X"0000") -- INIT for bit 7 of RAM
port map (
O => O,          -- 8-bit RAM data output
A0 => A0,        -- RAM address[0] input
A1 => A1,        -- RAM address[1] input
A2 => A2,        -- RAM address[2] input
A3 => A3,        -- RAM address[3] input
D => D,          -- 8-bit RAM data input
WCLK => WCLK,   -- Write clock input
WE => WE        -- Write enable input
);

-- End of RAM16X8S_inst instantiation
```

Verilog Instantiation Template

```
// RAM16X8S: 16 x 8 posedge write distributed (LUT) RAM
//           Virtex-II/II-Pro
// Xilinx HDL Libraries Guide, version 10.1.2

RAM16X8S #(
.INIT_00(16'h0000), // INIT for bit 0 of RAM
.INIT_01(16'h0000), // INIT for bit 1 of RAM
.INIT_02(16'h0000), // INIT for bit 2 of RAM
.INIT_03(16'h0000), // INIT for bit 3 of RAM
.INIT_04(16'h0000), // INIT for bit 4 of RAM
.INIT_05(16'h0000), // INIT for bit 5 of RAM
.INIT_06(16'h0000), // INIT for bit 6 of RAM
.INIT_07(16'h0000) // INIT for bit 7 of RAM
) RAM16X8S_inst (
.O(O),          // 8-bit RAM data output
.A0(A0),        // RAM address[0] input
.A1(A1),        // RAM address[1] input
.A2(A2),        // RAM address[2] input
.A3(A3),        // RAM address[3] input
.D(D),          // 8-bit RAM data input
.WCLK(WCLK),   // Write clock input
.WE(WE)        // Write enable input
```

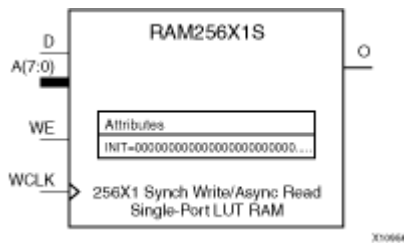
```
);  
// End of RAM16X8S_inst instantiation
```

For More Information

- See the [Virtex-5 User Guide](#).
- See the [Virtex-5 Data Sheets](#).

RAM256X1S

Primitive: 256-Deep by 1-Wide Random Access Memory (Select RAM)



Introduction

This design element is a 256-bit deep by 1-bit wide random access memory with synchronous write and asynchronous read capability. This RAM is implemented using the LUT resources of the device (also known as Select RAM), and does not consume any of the block RAM resources of the device. If a synchronous read capability is preferred, a register can be attached to the output and placed in the same slice as long as the same clock is used for both the RAM and the register. The RAM256X1S has an active, High write enable, WE, so that when that signal is High, and a rising edge occurs on the WCLK pin, a write is performed recording the value of the D input data pin into the memory array. The output O displays the contents of the memory location addressed by A, regardless of the WE value. When a write is performed, the output is updated to the new value shortly after the write completes.

Port Descriptions

Port	Direction	Width	Function
O	Output	1	Read/Write port data output addressed by A
D	Input	1	Write data input addressed by A
A	Input	8	Read/Write port address bus
WE	Input	1	Write Enable
WCLK	Input	1	Write clock (reads are asynchronous)

Design Entry Method

Instantiation	Yes
Inference	Recommended
Coregen and wizards	No
Macro support	No

If instantiated, the following connections should be made to this component:

- Tie the WCLK input to the desired clock source, the D input to the data source to be stored, and the O output to an FDCE D input or other appropriate data destination.
- The WE clock enable pin should be connected to the proper write enable source in the design.
- The 8-bit A bus should be connected to the source for the read/write.
- An optional INIT attribute consisting of a 256-bit Hexadecimal value can be specified to indicate the initial contents of the RAM.

If left unspecified, the initial contents default to all zeros.

Available Attributes

Attribute	Type	Allowed Values	Default	Description
INIT	Hexadecimal	Any 256-Bit Value	All zeros	Specifies the initial contents of the RAM.

VHDL Instantiation Template

Unless they already exist, copy the following two statements and paste them before the entity declaration.

```

Library UNISIM;
use UNISIM.vcomponents.all;

-- RAM256X1S: 256-deep by 1-wide positive edge write, asynchronous read
--           single-port distributed LUT RAM
--           Virtex-5
-- Xilinx HDL Libraries Guide, version 10.1.2

RAM256X1S_inst : RAM256X1S
generic map (
INIT => X"0000000000000000000000000000000000000000000000000000000000000000" )
port map (
O => O, -- Read/Write port 1-bit output
A => A, -- Read/Write port 8-bit address input
D => D, -- RAM data input
WCLK => WCLK, -- Write clock input
WE => WE -- Write enable input
);

-- End of RAM256X1S_inst instantiation
    
```

Verilog Instantiation Template

```

// RAM256X1S: 256-deep by 1-wide positive edge write, asynchronous read
//           single-port distributed LUT RAM
//           Virtex-5
// Xilinx HDL Libraries Guide, version 10.1.2

RAM256X1S #(
.INIT(256'h0000000000000000000000000000000000000000000000000000000000000000)
) RAM256X1S_inst (
.O(O), // Read/Write port 1-bit output
.A(A), // Read/Write port 8-bit address input
.WE(WE), // Write enable input
.WCLK(WCLK), // Write clock input
.D(D) // RAM data input
);

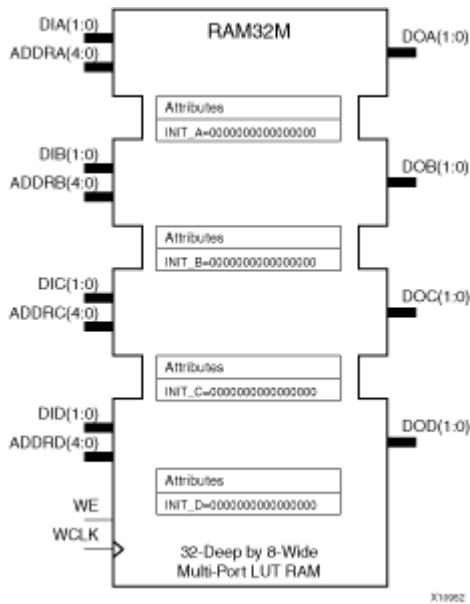
// End of RAM256X1S_inst instantiation
    
```

For More Information

- See the [Virtex-5 User Guide](#).
- See the [Virtex-5 Data Sheets](#).

RAM32M

Primitive: 32-Deep by 8-bit Wide Multi Port Random Access Memory (Select RAM)



Introduction

This design element is a 32-bit deep by 8-bit wide, multi-port, random access memory with synchronous write and asynchronous independent, 2-bit, wide-read capability. This RAM is implemented using the LUT resources of the device known as Select RAM, and does not consume any of the Block RAM resources of the device. The RAM32M is implemented in a single slice and consists of one 8-bit write, 2-bit read port and three separate 2-bit read ports from the same memory. This configuration allows for byte-wide write and independent 2-bit read access RAM. If the DIA, DIB, DIC and DID inputs are all tied to the same data inputs, the RAM can become a 1 read/write port, 3 independent read port, 32x2 quad port memory. If DID is grounded, DOD is not used, while ADDRA, ADDR B and ADDR C are tied to the same address, the RAM becomes a 32x6 simple dual port RAM. If ADDR D is tied to ADDRA, ADDR B, and ADDR C, then the RAM is a 32x8 single port RAM. There are several other possible configurations for this RAM.

Port Descriptions

Port	Direction	Width	Function
DOA	Output	2	Read port data outputs addressed by ADDRA
DOB	Output	2	Read port data outputs addressed by ADDR B
DOC	Output	2	Read port data outputs addressed by ADDR C
DOD	Output	2	Read/Write port data outputs addressed by ADDR D
DIA	Input	2	Write data inputs addressed by ADDR D (read output is addressed by ADDRA)
DIB	Input	2	Write data inputs addressed by ADDR D (read output is addressed by ADDR B)
DIC	Input	2	Write data inputs addressed by ADDR D (read output is addressed by ADDR C)

Port	Direction	Width	Function
DID	Input	2	Write data inputs addressed by ADDR D
ADDRA	Input	5	Read address bus A
ADDRB	Input	5	Read address bus B
ADDR C	Input	5	Read address bus C
ADDR D	Input	5	8-bit data write port, 2-bit data read port address bus D
WE	Input	1	Write Enable
WCLK	Input	1	Write clock (reads are asynchronous)

Design Entry Method

Instantiation	Yes
Inference	Recommended
Coregen and wizards	No
Macro support	No

This element can be inferred by some synthesis tools by describing a RAM with a synchronous write and asynchronous read capability. Consult your synthesis tool documentation for details on RAM inference capabilities and coding examples. Xilinx suggests that you instantiate RAM32Ms if you have a need to implicitly specify the RAM function, or if you need to manually place or relationally place the component. If a synchronous read capability is desired, the RAM32M outputs can be connected to an FDRSE (FDCPE is asynchronous set/reset is necessary) in order to improve the output timing of the function. However, this is not necessary for the proper operation of the RAM.

If you want to have the data clocked on the negative edge of a clock, an inverter can be described on the clock input to this component. This inverter will be absorbed into the block, giving you the ability to write to the RAM on falling clock edges.

If instantiated, the following connections should be made to this component. Tie the WCLK input to the desired clock source, the DIA, DIB, DIC and DID inputs to the data source to be stored and the DOA, DOB, DOC and DOD outputs to an FDCE D input or other appropriate data destination or left unconnected if not used. The WE clock enable pin should be connected to the proper write enable source in the design. The 5-bit ADDR D bus should be connected to the source for the read/write addressing and the 5-bit ADDRA, ADDR B and ADDR C buses should be connected to the appropriate read address connections. The optional INIT_A, INIT_B, INIT_C and INIT_D attributes consisting of a 64-bit hexadecimal values that specifies each port's initial memory contents can be specified. The INIT value correlates to the RAM addressing by the following equation: $ADDRy[z] = INIT_y[2*z+1:2*z]$. For instance, if the RAM ADDR C port is addressed to 00001, then the INIT_C[3:2] values would be the initial values shown on the DOC port before the first write occurs at that address. If left unspecified, the initial contents will default to all zeros.

Available Attributes

Attribute	Type	Allowed Values	Default	Description
INIT_A	Hexadecimal	Any 64-Bit Value	All zeros	Specifies the initial contents of the RAM on the A port.
INIT_B	Hexadecimal	Any 64-Bit Value	All zeros	Specifies the initial contents of the RAM on the B port.

Attribute	Type	Allowed Values	Default	Description
INIT_C	Hexadecimal	Any 64-Bit Value	All zeros	Specifies the initial contents of the RAM on the C port.
INIT_D	Hexadecimal	Any 64-Bit Value	All zeros	Specifies the initial contents of the RAM on the D port.

VHDL Instantiation Template

Unless they already exist, copy the following two statements and paste them before the entity declaration.

```
Library UNISIM;
use UNISIM.vcomponents.all;

-- RAM32M: 32-deep by 8-wide Multi Port LUT RAM
-- Virtex-5
-- Xilinx HDL Libraries Guide, version 10.1.2

RAM32M_inst : RAM32M
generic map (
INIT_A => X"0000000000000000", -- Initial contents of A port
INIT_B => X"0000000000000000", -- Initial contents of B port
INIT_C => X"0000000000000000", -- Initial contents of C port
INIT_D => X"0000000000000000) -- Initial contents of D port
port map (
DOA => DOA, -- Read port A 2-bit output
DOB => DOB, -- Read port B 2-bit output
DOC => DOC, -- Read port C 2-bit output
DOD => DOD, -- Read/Write port D 2-bit output
ADDRA => ADDRA, -- Read port A 5-bit address input
ADDRB => ADDRb, -- Read port B 5-bit address input
ADDRc => ADDRc, -- Read port C 5-bit address input
ADDRD => ADDRd, -- Read/Write port D 5-bit address input
DIA => DIA, -- RAM 2-bit data write input addressed by ADDRd,
-- read addressed by ADDRA
DIB => DIB, -- RAM 2-bit data write input addressed by ADDRd,
-- read addressed by ADDRb
DIC => DIC, -- RAM 2-bit data write input addressed by ADDRd,
-- read addressed by ADDRc
DID => DID, -- RAM 2-bit data write input addressed by ADDRd,
-- read addressed by ADDRd
WCLK => WCLK, -- Write clock input
WE => WE -- Write enable input
);
-- End of RAM32M_inst instantiation
```

Verilog Instantiation Template

```
// RAM32M: 32-deep by 8-wide Multi Port LUT RAM
// Virtex-5
// Xilinx HDL Libraries Guide, version 10.1.2

RAM32M #(
.INIT_A(64'h0000000000000000), // Initial contents of A Port
.INIT_B(64'h0000000000000000), // Initial contents of B Port
.INIT_C(64'h0000000000000000), // Initial contents of C Port
.INIT_D(64'h0000000000000000) // Initial contents of D Port
) RAM32M_inst (
.DOA(DOA), // Read port A 2-bit output
.DOB(DOB), // Read port B 2-bit output
.DOC(DOC), // Read port C 2-bit output
.DOD(DOD), // Read/Write port D 2-bit output
.ADDRA(ADDRA), // Read port A 5-bit address input
.ADDRB(ADDRb), // Read port B 5-bit address input
.ADDRC(ADDRc), // Read port C 5-bit address input
```

```
.ADDRD(ADDRD), // Read/Write port D 5-bit address input
.DIA(DIA),     // RAM 2-bit data write input addressed by ADDRDR,
// read addressed by ADDRDR
.DIB(DIB),     // RAM 2-bit data write input addressed by ADDRDR,
// read addressed by ADDRDR
.DIC(DIC),     // RAM 2-bit data write input addressed by ADDRDR,
// read addressed by ADDRDR
.DID(DID),     // RAM 2-bit data write input addressed by ADDRDR,
// read addressed by ADDRDR
.WCLK(WCLK),  // Write clock input
.WE(WE)       // Write enable input
);

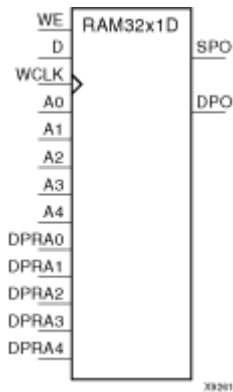
// End of RAM32M_inst instantiation
```

For More Information

- See the [Virtex-5 User Guide](#).
- See the [Virtex-5 Data Sheets](#).

RAM32X1D

Primitive: 32-Deep by 1-Wide Dual Static Port Synchronous RAM



Introduction

The design element is a 32-word by 1-bit static dual port random access memory with synchronous write capability. The device has two separate address ports: the read address (DPRA4 – DPRA0) and the write address (A4 – A0). These two address ports are completely asynchronous. The read address controls the location of the data driven out of the output pin (DPO), and the write address controls the destination of a valid write transaction. When the write enable (WE) is Low, transitions on the write clock (WCLK) are ignored and data stored in the RAM is not affected. When WE is High, any positive transition on WCLK loads the data on the data input (D) into the word selected by the 5-bit write address. For predictable performance, write address and data inputs must be stable before a Low-to-High WCLK transition. This RAM block assumes an active-High WCLK. WCLK can be active-High or active-Low. Any inverter placed on the WCLK input net is absorbed into the block. You can initialize RAM32X1D during configuration using the INIT attribute. Mode selection is shown in the following logic table.

The SPO output reflects the data in the memory cell addressed by A4 – A0. The DPO output reflects the data in the memory cell addressed by DPRA4 – DPRA0. The write process is not affected by the address on the read address port.

Logic Table

Inputs			Outputs	
WE (Mode)	WCLK	D	SPO	DPO
0 (read)	X	X	data_a	data_d
1 (read)	0	X	data_a	data_d
1 (read)	1	X	data_a	data_d
1 (write)	↑	D	D	data_d
1 (read)	↓	X	data_a	data_d

Design Entry Method

Instantiation	Yes
Inference	Recommended

Coregen and wizards	No
Macro support	No

Available Attributes

Attribute	Type	Allowed Values	Default	Descriptions
INIT	Hexadecimal	Any 32-Bit Value	All Zeros	Initializes ROMs, RAMs, registers, and look-up tables.

VHDL Instantiation Template

Unless they already exist, copy the following two statements and paste them before the entity declaration.

```

Library UNISIM;
use UNISIM.vcomponents.all;

-- RAM32X1D: 32 x 1 positive edge write, asynchronous read dual-port distributed RAM
--           Virtex-II/II-Pro
-- Xilinx HDL Libraries Guide, version 10.1.2

RAM32X1D_inst : RAM32X1D
generic map (
INIT => X"00000000")
port map (
DPO => DPO,      -- Read-only 1-bit data output
SPO => SPO,      -- R/W 1-bit data output
A0 => A0,        -- R/W address[0] input bit
A1 => A1,        -- R/W address[1] input bit
A2 => A2,        -- R/W address[2] input bit
A3 => A3,        -- R/W address[3] input bit
A4 => A4,        -- R/W address[4] input bit
D => D,          -- Write 1-bit data input
DPRA0 => DPRA0, -- Read-only address[0] input bit
DPRA1 => DPRA1, -- Read-only address[1] input bit
DPRA2 => DPRA2, -- Read-only address[2] input bit
DPRA3 => DPRA3, -- Read-only address[3] input bit
DPRA4 => DPRA4, -- Read-only address[4] input bit
WCLK => WCLK,   -- Write clock input
WE => WE        -- Write enable input
);

-- End of RAM32X1D_inst instantiation
    
```

Verilog Instantiation Template

```

// RAM32X1D: 32 x 1 positive edge write, asynchronous read dual-port distributed RAM
//           Virtex-II/II-Pro/5
// Xilinx HDL Libraries Guide, version 10.1.2

RAM32X1D #(
.INIT(32'h00000000) // Initial contents of RAM
) RAM32X1D_inst (
.DPO(DPO),         // Read-only 1-bit data output
.SPO(SPO),         // R/W 1-bit data output
.A0(A0),           // R/W address[0] input bit
.A1(A1),           // R/W address[1] input bit
.A2(A2),           // R/W address[2] input bit
.A3(A3),           // R/W address[3] input bit
.A4(A4),           // R/W address[4] input bit
.D(D),             // Write 1-bit data input
    
```

```
.DPRA0(DPRA0), // Read-only address[0] input bit
.DPRA1(DPRA1), // Read-only address[1] input bit
.DPRA2(DPRA2), // Read-only address[2] input bit
.DPRA3(DPRA3), // Read-only address[3] input bit
.DPRA4(DPRA4), // Read-only address[4] input bit
.WCLK(WCLK),  // Write clock input
.WE(WE)       // Write enable input
);

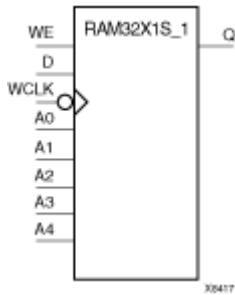
// End of RAM32X1D_inst instantiation
```

For More Information

- See the [Virtex-5 User Guide](#).
- See the [Virtex-5 Data Sheets](#).

RAM32X1S_1

Primitive: 32-Deep by 1-Wide Static Synchronous RAM with Negative-Edge Clock



Introduction

The design element is a 32-word by 1-bit static random access memory with synchronous write capability. When the write enable is Low, transitions on the write clock (WCLK) are ignored and data stored in the RAM is not affected. When (WE) is High, any negative transition on (WCLK) loads the data on the data input (D) into the word selected by the 5-bit address (A4-A0). For predictable performance, address and data inputs must be stable before a High-to-Low (WCLK) transition. This RAM block assumes an active-Low (WCLK). However, (WCLK) can be active-High or active-Low. Any inverter placed on the (WCLK) input net is absorbed into the block.

The signal output on the data output pin (O) is the data that is stored in the RAM at the location defined by the values on the address pins. You can initialize RAM32X1S_1 during configuration using the INIT attribute.

Logic Table

Inputs			Outputs
WE (Mode)	WCLK	D	O
0 (read)	X	X	Data
1 (read)	0	X	Data
1 (read)	1	X	Data
1 (write)	↓	D	D
1 (read)	↑	X	Data

Data = word addressed by bits A4 – A0

Design Entry Method

Instantiation	Yes
Inference	Recommended
Coregen and wizards	No
Macro support	No

Available Attributes

Attribute	Type	Allowed Values	Default	Descriptions
INIT	Hexadecimal	Any 32-Bit Value	0	Initializes RAMs, registers, and look-up tables.

VHDL Instantiation Template

Unless they already exist, copy the following two statements and paste them before the entity declaration.

```
Library UNISIM;
use UNISIM.vcomponents.all;

-- RAM32X1S_1: 32 x 1 negedge write distributed => LUT RAM
--           All FPGA
-- Xilinx HDL Libraries Guide, version 10.1.2

RAM32X1S_1_inst : RAM32X1S_1
generic map (
  INIT => X"00000000")
port map (
  O => O,      -- RAM output
  A0 => A0,    -- RAM address[0] input
  A1 => A1,    -- RAM address[1] input
  A2 => A2,    -- RAM address[2] input
  A3 => A3,    -- RAM address[3] input
  A4 => A4,    -- RAM address[4] input
  D => D,      -- RAM data input
  WCLK => WCLK, -- Write clock input
  WE => WE     -- Write enable input
);

-- End of RAM32X1S_1_inst instantiation
```

Verilog Instantiation Template

```
// RAM32X1S_1: 32 x 1 negedge write distributed (LUT) RAM
//           Virtex/E/-II/-II-Pro, Spartan-II/IIE/3/3A
// Xilinx HDL Libraries Guide, version 10.1.2

RAM32X1S_1 #(
  .INIT(32'h00000000) // Initial contents of RAM
)RAM32X1S_1_inst (
  .O(O),             // RAM output
  .A0(A0),          // RAM address[0] input
  .A1(A1),          // RAM address[1] input
  .A2(A2),          // RAM address[2] input
  .A3(A3),          // RAM address[3] input
  .A4(A4),          // RAM address[4] input
  .D(D),            // RAM data input
  .WCLK(WCLK),     // Write clock input
  .WE(WE)           // Write enable input
);

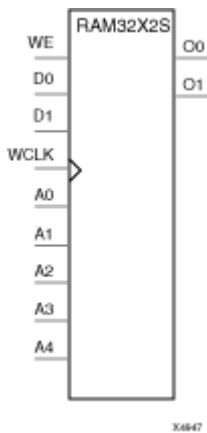
// End of RAM32X1S_1_inst instantiation
```

For More Information

- See the [Virtex-5 User Guide](#).
- See the [Virtex-5 Data Sheets](#).

RAM32X2S

Primitive: 32-Deep by 2-Wide Static Synchronous RAM



Introduction

The design element is a 32-word by 2-bit static random access memory with synchronous write capability. When the write enable (WE) is Low, transitions on the write clock (WCLK) are ignored and data stored in the RAM is not affected. When (WE) is High, any positive transition on (WCLK) loads the data on the data input (D1-D0) into the word selected by the 5-bit address (A4-A0). For predictable performance, address and data inputs must be stable before a Low-to-High (WCLK) transition. This RAM block assumes an active-High (WCLK). However, (WCLK) can be active-High or active-Low. Any inverter placed on the (WCLK) input net is absorbed into the block. The signal output on the data output pins (O1-O0) is the data that is stored in the RAM at the location defined by the values on the address pins.

You can use the INIT_00 and INIT_01 properties to specify the initial contents of RAM32X2S.

Logic Table

Inputs			Outputs
WE (Mode)	WCLK	D	O0-O1
0 (read)	X	X	Data
1 (read)	0	X	Data
1 (read)	1	X	Data
1 (write)	↑	D1-D0	D1-D0
1 (read)	↓	X	Data

Data = word addressed by bits A4 A0

Design Entry Method

Instantiation	Yes
Inference	Recommended

Coregen and wizards	No
Macro support	No

Available Attributes

Attribute	Type	Allowed Values	Default	Descriptions
INIT_00	Hexadecimal	Any 32-Bit Value	All zeros	INIT for bit 0 of RAM.
INIT_01	Hexadecimal	Any 32-Bit Value	All zeros	INIT for bit 1 of RAM.

VHDL Instantiation Template

Unless they already exist, copy the following two statements and paste them before the entity declaration.

```

Library UNISIM;
use UNISIM.vcomponents.all;

-- RAM32X2S: 32 x 2 posedge write distributed => LUT RAM
--           Virtex-II/II-Pro, Spartan-3/3E/3A
-- Xilinx HDL Libraries Guide, version 10.1.2

RAM32X2S_inst : RAM32X2S
generic map (
INIT_00 => X"00000000", -- INIT for bit 0 of RAM
INIT_01 => X"00000000") -- INIT for bit 1 of RAM
port map (
O0 => O0,      -- RAM data[0] output
O1 => O1,      -- RAM data[1] output
A0 => A0,      -- RAM address[0] input
A1 => A1,      -- RAM address[1] input
A2 => A2,      -- RAM address[2] input
A3 => A3,      -- RAM address[3] input
A4 => A4,      -- RAM address[4] input
D0 => D0,      -- RAM data[0] input
D1 => D1,      -- RAM data[1] input
WCLK => WCLK, -- Write clock input
WE => WE       -- Write enable input
);

-- End of RAM32X2S_inst instantiation
    
```

Verilog Instantiation Template

```

// RAM32X2S: 32 x 2 posedge write distributed (LUT) RAM
//           Virtex-II/II-Pro, Spartan-3/3E/3A
// Xilinx HDL Libraries Guide, version 10.1.2

RAM32X2S #(
.INIT_00(32'h00000000), // INIT for bit 0 of RAM
.INIT_01(32'h00000000) // INIT for bit 1 of RAM
) RAM32X2S_inst (
.O0(O0),      // RAM data[0] output
.O1(O1),      // RAM data[1] output
.A0(A0),      // RAM address[0] input
.A1(A1),      // RAM address[1] input
.A2(A2),      // RAM address[2] input
.A3(A3),      // RAM address[3] input
.A4(A4),      // RAM address[4] input
.D0(D0),      // RAM data[0] input
.D1(D1),      // RAM data[1] input
.WCLK(WCLK), // Write clock input
    
```

```
.WE(WE)      // Write enable input
);

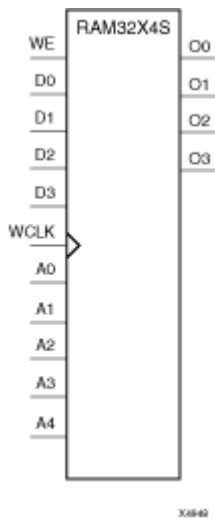
// End of RAM32X2S_inst instantiation
```

For More Information

- See the [Virtex-5 User Guide](#).
- See the [Virtex-5 Data Sheets](#).

RAM32X4S

Primitive: 32-Deep by 4-Wide Static Synchronous RAM



Introduction

This design element is a 32-word by 4-bit static random access memory with synchronous write capability. When the write enable (WE) is Low, transitions on the write clock (WCLK) are ignored and data stored in the RAM is not affected. When WE is High, any positive transition on WCLK loads the data on the data inputs (D3-D0) into the word selected by the 5-bit address (A4-A0). For predictable performance, address and data inputs must be stable before a Low-to-High WCLK transition. This RAM block assumes an active-High WCLK. However, WCLK can be active-High or active-Low. Any inverter placed on the WCLK input net is absorbed into the block.

The signal output on the data output pins (O3-O0) is the data that is stored in the RAM at the location defined by the values on the address pins.

Logic Table

Inputs			Outputs
WE	WCLK	D3-D0	O3-O0
0 (read)	X	X	Data
1 (read)	0	X	Data
1 (read)	1	X	Data
1 (write)	↑	D3-D0	D3-D0
1 (read)	↓	X	Data

Data = word addressed by bits A4-A0

Design Entry Method

Instantiation	Yes
Inference	Recommended

Coregen and wizards	No
Macro support	No

Available Attributes

Attribute	Type	Allowed Values	Default	Description
INIT_00	Hexadecimal	Any 32-Bit Value	All zeros	INIT for bit 0 of RAM.
INIT_01	Hexadecimal	Any 32-Bit Value	All zeros	INIT for bit 1 of RAM.
INIT_02	Hexadecimal	Any 32-Bit Value	All zeros	INIT for bit 2 of RAM.
INIT_03	Hexadecimal	Any 32-Bit Value	All zeros	INIT for bit 3 of RAM.

VHDL Instantiation Template

Unless they already exist, copy the following two statements and paste them before the entity declaration.

```
Library UNISIM;
use UNISIM.vcomponents.all;

-- RAM32X4S: 32 x 4 posedge write distributed => LUT RAM
--           Virtex-II/II-Pro
-- Xilinx HDL Libraries Guide, version 10.1.2

RAM32X4S_inst : RAM32X4S
generic map (
  INIT_00 => X"00000000", -- INIT for bit 0 of RAM
  INIT_01 => X"00000000", -- INIT for bit 1 of RAM
  INIT_02 => X"00000000", -- INIT for bit 2 of RAM
  INIT_03 => X"00000000") -- INIT for bit 3 of RAM
port map (
  O0 => O0,      -- RAM data[0] output
  O1 => O1,      -- RAM data[1] output
  O2 => O2,      -- RAM data[2] output
  O3 => O3,      -- RAM data[3] output
  A0 => A0,      -- RAM address[0] input
  A1 => A1,      -- RAM address[1] input
  A2 => A2,      -- RAM address[2] input
  A3 => A3,      -- RAM address[3] input
  A4 => A4,      -- RAM address[4] input
  D0 => D0,      -- RAM data[0] input
  D1 => D1,      -- RAM data[1] input
  D2 => D2,      -- RAM data[2] input
  D3 => D3,      -- RAM data[3] input
  WCLK => WCLK,  -- Write clock input
  WE => WE       -- Write enable input
);

-- End of RAM32X4S_inst instantiation
```

Verilog Instantiation Template

```
// RAM32X4S: 32 x 4 posedge write distributed (LUT) RAM
//           Virtex-II/II-Pro
// Xilinx HDL Libraries Guide, version 10.1.2

RAM32X4S #(
  .INIT_00(32'h00000000), // INIT for bit 0 of RAM
  .INIT_01(32'h00000000), // INIT for bit 1 of RAM
  .INIT_02(32'h00000000), // INIT for bit 2 of RAM
  .INIT_03(32'h00000000) // INIT for bit 3 of RAM
```

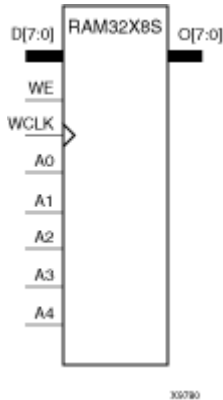
```
) RAM32X4S_inst (  
.O0(O0), // RAM data[0] output  
.O1(O1), // RAM data[1] output  
.O2(O2), // RAM data[2] output  
.O3(O3), // RAM data[3] output  
.A0(A0), // RAM address[0] input  
.A1(A1), // RAM address[1] input  
.A2(A2), // RAM address[2] input  
.A3(A3), // RAM address[3] input  
.A4(A4), // RAM address[4] input  
.D0(D0), // RAM data[0] input  
.D1(D1), // RAM data[1] input  
.D2(D2), // RAM data[2] input  
.D3(D3), // RAM data[3] input  
.WCLK(WCLK), // Write clock input  
.WE(WE) // Write enable input  
);  
  
// End of RAM32X4S_inst instantiation
```

For More Information

- See the [Virtex-5 User Guide](#).
- See the [Virtex-5 Data Sheets](#).

RAM32X8S

Primitive: 32-Deep by 8-Wide Static Synchronous RAM



Introduction

This design element is a 32-word by 8-bit static random access memory with synchronous write capability. When the write enable (WE) is Low, transitions on the write clock (WCLK) are ignored and data stored in the RAM is not affected. When WE is High, any positive transition on WCLK loads the data on the data inputs (D7 – D0) into the word selected by the 5-bit address (A4 – A0). For predictable performance, address and data inputs must be stable before a Low-to-High WCLK transition. This RAM block assumes an active-High WCLK. However, WCLK can be active-High or active-Low. Any inverter placed on the WCLK input net is absorbed into the block.

The signal output on the data output pins (O7 – O0) is the data that is stored in the RAM at the location defined by the values on the address pins.

Logic Table

Inputs			Outputs
WE (mode)	WCLK	D7-D0	O7-O0
0 (read)	X	X	Data
1 (read)	0	X	Data
1 (read)	1	X	Data
1 (write)	↑	D7-D0	D7-D0
1 (read)	↓	X	Data

Data = word addressed by bits A4 – A0

Design Entry Method

Instantiation	Yes
Inference	Recommended
Coregen and wizards	No
Macro support	No

Available Attributes

Attribute	Type	Allowed Values	Default	Description
INIT_00	Hexadecimal	Any 32-Bit Value	All zeros	INIT for bit 0 of RAM.
INIT_01	Hexadecimal	Any 32-Bit Value	All zeros	INIT for bit 1 of RAM.
INIT_02	Hexadecimal	Any 32-Bit Value	All zeros	INIT for bit 2 of RAM.
INIT_03	Hexadecimal	Any 32-Bit Value	All zeros	INIT for bit 3 of RAM.
INIT_04	Hexadecimal	Any 32-Bit Value	All zeros	INIT for bit 4 of RAM.
INIT_05	Hexadecimal	Any 32-Bit Value	All zeros	INIT for bit 5 of RAM.
INIT_06	Hexadecimal	Any 32-Bit Value	All zeros	INIT for bit 6 of RAM.
INIT_07	Hexadecimal	Any 32-Bit Value	All zeros	INIT for bit 7 of RAM.

VHDL Instantiation Template

Unless they already exist, copy the following two statements and paste them before the entity declaration.

```

Library UNISIM;
use UNISIM.vcomponents.all;

-- RAM32X8S: 32 x 8 posedge write distributed => LUT RAM
--      Virtex-II/II-Pro
-- Xilinx HDL Libraries Guide, version 10.1.2

RAM32X8S_inst : RAM32X8S
generic map (
INIT_00 => X"00000000", -- INIT for bit 0 of RAM
INIT_01 => X"00000000", -- INIT for bit 1 of RAM
INIT_02 => X"00000000", -- INIT for bit 2 of RAM
INIT_03 => X"00000000", -- INIT for bit 3 of RAM
INIT_04 => X"00000000", -- INIT for bit 4 of RAM
INIT_05 => X"00000000", -- INIT for bit 5 of RAM
INIT_06 => X"00000000", -- INIT for bit 6 of RAM
INIT_07 => X"00000000") -- INIT for bit 7 of RAM
port map (
O => O,      -- 8-bit RAM data output
A0 => A0,    -- RAM address[0] input
A1 => A1,    -- RAM address[1] input
A2 => A2,    -- RAM address[2] input
A3 => A3,    -- RAM address[3] input
A4 => A4,    -- RAM address[4] input
D => D,      -- 8-bit RAM data input
WCLK => WCLK, -- Write clock input
WE => WE     -- Write enable input
);

-- End of RAM32X8S_inst instantiation
    
```

Verilog Instantiation Template

```

// RAM32X8S: 32 x 8 posedge write distributed (LUT) RAM
//      Virtex-II/II-Pro
// Xilinx HDL Libraries Guide, version 10.1.2

RAM32X8S #(
.INIT_00(32'h00000000), // INIT for bit 0 of RAM
.INIT_01(32'h00000000), // INIT for bit 1 of RAM
.INIT_02(32'h00000000), // INIT for bit 2 of RAM
.INIT_03(32'h00000000), // INIT for bit 3 of RAM
    
```

```
.INIT_04(32'h00000000), // INIT for bit 4 of RAM
.INIT_05(32'h00000000), // INIT for bit 5 of RAM
.INIT_06(32'h00000000), // INIT for bit 6 of RAM
.INIT_07(32'h00000000) // INIT for bit 7 of RAM
) RAM32X8S_inst (
.O(O),          // 8-bit RAM data output
.A0(A0),       // RAM address[0] input
.A1(A1),       // RAM address[1] input
.A2(A2),       // RAM address[2] input
.A3(A3),       // RAM address[3] input
.A4(A4),       // RAM address[4] input
.D(D),         // 8-bit RAM data input
.WCLK(WCLK),  // Write clock input
.WE(WE)        // Write enable input
);

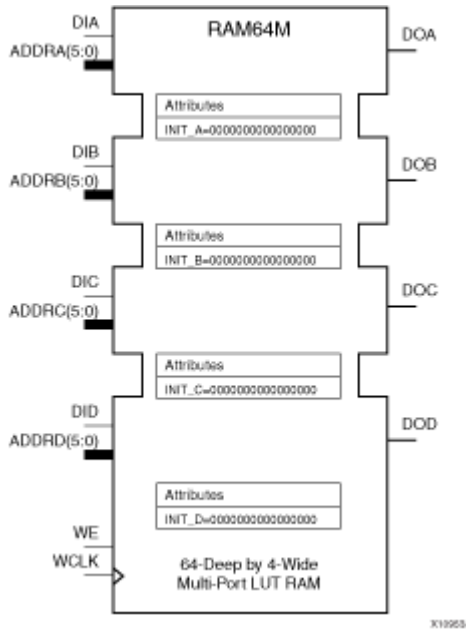
// End of RAM32X8S_inst instantiation
```

For More Information

- See the [Virtex-5 User Guide](#).
- See the [Virtex-5 Data Sheets](#).

RAM64M

Primitive: 64-Deep by 4-bit Wide Multi Port Random Access Memory (Select RAM)



Introduction

This design element is a 64-bit deep by 4-bit wide, multi-port, random access memory with synchronous write and asynchronous independent bit wide read capability. This RAM is implemented using the LUT resources of the device (also known as Select RAM) and does not consume any of the Block RAM resources of the device. The RAM64M component is implemented in a single slice, and consists of one 4-bit write, 1-bit read port, and three separate 1-bit read ports from the same memory allowing for 4-bit write and independent bit read access RAM. If the DIA, DIB, DIC and DID inputs are all tied to the same data inputs, the RAM can become a 1 read/write port, 3 independent read port 64x1 quad port memory. If DID is grounded, DOD is not used. While ADDRA, ADDR B and ADDR C are tied to the same address the RAM becomes a 64x3 simple dual port RAM. If ADDR D is tied to ADDRA, ADDR B, and ADDR C; then the RAM is a 64x4 single port RAM. There are several other possible configurations for this RAM.

Port Descriptions

Port	Direction	Width	Function
DOA	Output	1	Read port data outputs addressed by ADDRA
DOB	Output	1	Read port data outputs addressed by ADDR B
DOC	Output	1	Read port data outputs addressed by ADDR C
DOD	Output	1	Read/Write port data outputs addressed by ADDR D
DIA	Input	1	Write data inputs addressed by ADDR D (read output is addressed by ADDRA)
DIB	Input	1	Write data inputs addressed by ADDR D (read output is addressed by ADDR B)

Port	Direction	Width	Function
DIC	Input	1	Write data inputs addressed by ADDRDR (read output is addressed by ADDRRC)
DID	Input	1	Write data inputs addressed by ADDRDR
ADDRA	Input	6	Read address bus A
ADDRB	Input	6	Read address bus B
ADDRC	Input	6	Read address bus C
ADDRD	Input	6	4-bit data write port, 1-bit data read port address bus D
WE	Input	1	Write Enable
WCLK	Input	1	Write clock (reads are asynchronous)

Design Entry Method

Instantiation	Yes
Inference	Recommended
Coregen and wizards	No
Macro support	No

This element can be inferred by some synthesis tools by describing a RAM with a synchronous write and asynchronous read capability. Consult your synthesis tool documentation for details on RAM inference capabilities and coding examples. Xilinx suggests that you instantiate RAM64Ms if you have a need to implicitly specify the RAM function, or if you need to manually place or relationally place the component. If a synchronous read capability is desired, the RAM64M outputs can be connected to an FDRSE (FDCPE is asynchronous set/reset is necessary) in order to improve the output timing of the function. However, this is not necessary for the proper operation of the RAM. If you want to have the data clocked on the negative edge of a clock, an inverter can be described on the clock input to this component. This inverter will be absorbed into the block giving the ability to write to the RAM on falling clock edges.

If instantiated, the following connections should be made to this component. Tie the WCLK input to the desired clock source, the DIA, DIB, DIC and DID inputs to the data source to be stored and the DOA, DOB, DOC and DOD outputs to an FDCE D input or other appropriate data destination or left unconnected if not used. The WE clock enable pin should be connected to the proper write enable source in the design. The 5-bit ADDRDR bus should be connected to the source for the read/write addressing and the 5-bit ADDRA, ADDRBR and ADDRRC buses should be connected to the appropriate read address connections. The optional INIT_A, INIT_B, INIT_C and INIT_D attributes consisting of a 64-bit hexadecimal values that specifies each port's initial memory contents can be specified. The INIT value correlates to the RAM addressing by the following equation: ADDRy[z] = INIT_y[z].

For instance, if the RAM ADDRRC port is addressed to 00001, then the INIT_C[1] values would be the initial values shown on the DOC port before the first write occurs at that address. If left unspecified, the initial contents will default to all zeros.

Available Attributes

Attribute	Type	Allowed Values	Default	Description
INIT_A	Hexadecimal	Any 64-Bit Value	All zero	Specifies the initial contents of the RAM on the A port.
INIT_B	Hexadecimal	Any 64-Bit Value	All zero	Specifies the initial contents of the RAM on the B port.

Attribute	Type	Allowed Values	Default	Description
INIT_C	Hexadecimal	Any 64-Bit Value	All zero	Specifies the initial contents of the RAM on the C port.
INIT_D	Hexadecimal	Any 64-Bit Value	All zero	Specifies the initial contents of the RAM on the D port.

VHDL Instantiation Template

Unless they already exist, copy the following two statements and paste them before the entity declaration.

```

Library UNISIM;
use UNISIM.vcomponents.all;

-- RAM64M: 64-deep by 4-wide Multi Port LUT RAM
--      Virtex-5
-- Xilinx HDL Libraries Guide, version 10.1.2

RAM64M_inst : RAM64M
generic map (
INIT_A => X"0000000000000000", -- Initial contents of A port
INIT_B => X"0000000000000000", -- Initial contents of B port
INIT_C => X"0000000000000000", -- Initial contents of C port
INIT_D => X"0000000000000000) -- Initial contents of D port
port map (
DOA => DOA, -- Read port A 1-bit output
DOB => DOB, -- Read port B 1-bit output
DOC => DOC, -- Read port C 1-bit output
DOD => DOD, -- Read/Write port D 1-bit output
ADDRA => ADDRA, -- Read port A 6-bit address input
ADDRB => ADDRb, -- Read port B 6-bit address input
ADDRc => ADDRc, -- Read port C 6-bit address input
ADDRD => ADDRd, -- Read/Write port D 6-bit address input
DIA => DIA, -- RAM 1-bit data write input addressed by ADDRd,
-- read addressed by ADDRA
DIB => DIB, -- RAM 1-bit data write input addressed by ADDRd,
-- read addressed by ADDRb
DIC => DIC, -- RAM 1-bit data write input addressed by ADDRd,
-- read addressed by ADDRc
DID => DID, -- RAM 1-bit data write input addressed by ADDRd,
-- read addressed by ADDRd
WCLK => WCLK, -- Write clock input
WE => WE -- Write enable input
);
-- End of RAM64M_inst instantiation
    
```

Verilog Instantiation Template

```

// RAM64M: 64-deep by 4-wide Multi Port LUT RAM
//      Virtex-5
// Xilinx HDL Libraries Guide, version 10.1.2

RAM64M #(
.INIT_A(64'h0000000000000000), // Initial contents of A Port
.INIT_B(64'h0000000000000000), // Initial contents of B Port
.INIT_C(64'h0000000000000000), // Initial contents of C Port
.INIT_D(64'h0000000000000000) // Initial contents of D Port
) RAM64M_inst (
.DOA(DOA), // Read port A 1-bit output
.DOB(DOB), // Read port B 1-bit output
.DOC(DOC), // Read port C 1-bit output
.DOD(DOD), // Read/Write port D 1-bit output
.DIA(DIA), // RAM 1-bit data write input addressed by ADDRd,
// read addressed by ADDRA
.DIB(DIB), // RAM 1-bit data write input addressed by ADDRd,
    
```

```
// read addressed by ADDRb
.DIC(DIC), // RAM 1-bit data write input addressed by ADDRd,
// read addressed by ADDRc
.DID(DID), // RAM 1-bit data write input addressed by ADDRd,
// read addressed by ADDRd
.ADDRA(ADDRA), // Read port A 6-bit address input
.ADDRB(ADDRB), // Read port B 6-bit address input
.ADDRC(ADDRC), // Read port C 6-bit address input
.ADDRD(ADDRD), // Read/Write port D 6-bit address input
.WE(WE), // Write enable input
.WCLK(WCLK) // Write clock input
);

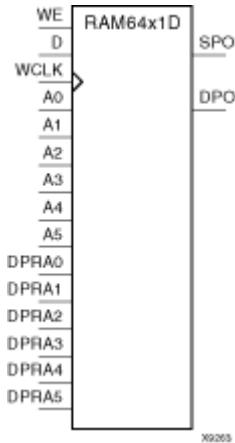
// End of RAM64M_inst instantiation
```

For More Information

- See the [Virtex-5 User Guide](#).
- See the [Virtex-5 Data Sheets](#).

RAM64X1D

Primitive: 64-Deep by 1-Wide Dual Port Static Synchronous RAM



Introduction

This design element is a 64-word by 1-bit static dual port random access memory with synchronous write capability. The device has two separate address ports: the read address (DPRA5–DPRA0) and the write address (A5–A0). These two address ports are completely asynchronous. The read address controls the location of the data driven out of the output pin (DPO), and the write address controls the destination of a valid write transaction. When the write enable (WE) is Low, transitions on the write clock (WCLK) are ignored and data stored in the RAM is not affected.

When WE is High, any positive transition on WCLK loads the data on the data input (D) into the word selected by the 6-bit (A0–A5) write address. For predictable performance, write address and data inputs must be stable before a Low-to-High WCLK transition. This RAM block assumes an active-High WCLK. WCLK can be active-High or active-Low. Any inverter placed on the WCLK input net is absorbed into the block.

The SPO output reflects the data in the memory cell addressed by A5–A0. The DPO output reflects the data in the memory cell addressed by DPRA5–DPRA0.

Note The write process is not affected by the address on the read address port.

Logic Table

Inputs			Outputs	
WE (mode)	WCLK	D	SPO	DPO
0 (read)	X	X	data_a	data_d
1 (read)	0	X	data_a	data_d
1 (read)	1	X	data_a	data_d
1 (write)	↑	D	D	data_d
1 (read)	↓	X	data_a	data_d

data_a = word addressed by bits A5–A0

data_d = word addressed by bits DPRA5–DPRA0

Design Entry Method

Instantiation	Yes
Inference	Recommended
Coregen and wizards	No
Macro support	No

Available Attributes

Attribute	Type	Allowed Values	Default	Description
INIT	Hexadecimal	Any 64-Bit Value	All zeros	Initializes RAMs, registers, and look-up tables.

VHDL Instantiation Template

Unless they already exist, copy the following two statements and paste them before the entity declaration.

```
Library UNISIM;
use UNISIM.vcomponents.all;

-- RAM64X1D: 64 x 1 positive edge write, asynchronous read dual-port distributed RAM
--           Virtex-II/II-Pro
-- Xilinx HDL Libraries Guide, version 10.1.2

RAM64X1D_inst : RAM64X1D
generic map (
  INIT => X"0000000000000000")
port map (
  DPO => DPO,      -- Read-only 1-bit data output
  SPO => SPO,      -- R/W 1-bit data output
  A0 => A0,        -- R/W address[0] input bit
  A1 => A1,        -- R/W address[1] input bit
  A2 => A2,        -- R/W address[2] input bit
  A3 => A3,        -- R/W address[3] input bit
  A4 => A4,        -- R/W address[4] input bit
  A5 => A5,        -- R/W address[5] input bit
  D => D,          -- Write 1-bit data input
  DPRA0 => DPRA0,  -- address[0] input bit
  DPRA1 => DPRA1,  -- Read-only address[1] input bit
  DPRA2 => DPRA2,  -- Read-only address[2] input bit
  DPRA3 => DPRA3,  -- Read-only address[3] input bit
  DPRA4 => DPRA4,  -- Read-only address[4] input bit
  DPRA5 => DPRA5,  -- Read-only address[5] input bit
  WCLK => WCLK,    -- Write clock input
  WE => WE         -- Write enable input
);

-- End of RAM64X1D_inst instantiation
```

Verilog Instantiation Template

```
// RAM64X1D: 64 x 1 positive edge write, asynchronous read dual-port distributed RAM
//           Virtex-II/II-Pro/5
// Xilinx HDL Libraries Guide, version 10.1.2

RAM64X1D #(
  .INIT(64'h0000000000000000) // Initial contents of RAM
) RAM64X1D_inst (
  .DPO(DPO), // Read-only 1-bit data output
```

```
.SPO(SPO),      // R/W 1-bit data output
.A0(A0),       // R/W address[0] input bit
.A1(A1),       // R/W address[1] input bit
.A2(A2),       // R/W address[2] input bit
.A3(A3),       // R/W address[3] input bit
.A4(A4),       // R/W address[4] input bit
.A5(A5),       // R/W address[5] input bit
.D(D),        // Write 1-bit data input
.DPRA0(DPRA0), // Read-only address[0] input bit
.DPRA1(DPRA1), // Read-only address[1] input bit
.DPRA2(DPRA2), // Read-only address[2] input bit
.DPRA3(DPRA3), // Read-only address[3] input bit
.DPRA4(DPRA4), // Read-only address[4] input bit
.DPRA5(DPRA5), // Read-only address[5] input bit
.WCLK(WCLK),  // Write clock input
.WE(WE)       // Write enable input
);

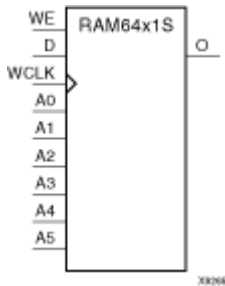
// End of RAM64X1D_inst instantiation
```

For More Information

- See the [Virtex-5 User Guide](#).
- See the [Virtex-5 Data Sheets](#).

RAM64X1S

Primitive: 64-Deep by 1-Wide Static Synchronous RAM



Introduction

This design element is a 64-word by 1-bit static random access memory (RAM) with synchronous write capability. When the write enable is set Low, transitions on the write clock (WCLK) are ignored and data stored in the RAM is not affected. When WE is set High, any positive transition on WCLK loads the data on the data input (D) into the word selected by the 6-bit address (A5 - A0). This RAM block assumes an active-High WCLK. However, WCLK can be active-High or active-Low. Any inverter placed on the WCLK input net is absorbed into the block.

The signal output on the data output pin (O) is the data that is stored in the RAM at the location defined by the values on the address pins.

You can initialize this element during configuration using the INIT attribute.

Logic Table

Mode selection is shown in the following logic table

Inputs			Outputs
WE (mode)	WCLK	D	O
0 (read)	X	X	Data
1 (read)	0	X	Data
1 (read)	1	X	Data
1 (write)	↑	D	D
1 (read)	↓	X	Data

Data = word addressed by bits A5 – A0

Design Entry Method

Instantiation	Yes
Inference	Recommended
Coregen and wizards	No
Macro support	No

Available Attributes

Attribute	Type	Allowed Values	Default	Description
INIT	Hexadecimal	Any 64-Bit Value	All zeros	Initializes ROMs, RAMs, registers, and look-up tables.

VHDL Instantiation Template

Unless they already exist, copy the following two statements and paste them before the entity declaration.

```

Library UNISIM;
use UNISIM.vcomponents.all;

-- RAM64X1S: 64 x 1 positive edge write, asynchronous read single-port distributed RAM
--           Virtex-II/II-Pro/4/5, Spartan-3/3E/3A
-- Xilinx HDL Libraries Guide, version 10.1.2

RAM64X1S_inst : RAM64X1S
generic map (
INIT => X"0000000000000000")
port map (
O => O,          -- 1-bit data output
A0 => A0,        -- Address[0] input bit
A1 => A1,        -- Address[1] input bit
A2 => A2,        -- Address[2] input bit
A3 => A3,        -- Address[3] input bit
A4 => A4,        -- Address[4] input bit
A5 => A5,        -- Address[5] input bit
D => D,          -- 1-bit data input
WCLK => WCLK,    -- Write clock input
WE => WE         -- Write enable input
);

-- End of RAM64X1S_inst instantiation
    
```

Verilog Instantiation Template

```

// RAM64X1S: 64 x 1 positive edge write, asynchronous read single-port distributed RAM
//           Virtex-II/II-Pro/4/5, Spartan-3/3E/3A
// Xilinx HDL Libraries Guide, version 10.1.2

RAM64X1S #(
.INIT(64'h0000000000000000) // Initial contents of RAM
) RAM64X1S_inst (
.O(O),          // 1-bit data output
.A0(A0),        // Address[0] input bit
.A1(A1),        // Address[1] input bit
.A2(A2),        // Address[2] input bit
.A3(A3),        // Address[3] input bit
.A4(A4),        // Address[4] input bit
.A5(A5),        // Address[5] input bit
.D(D),          // 1-bit data input
.WCLK(WCLK),    // Write clock input
.WE(WE)         // Write enable input
);

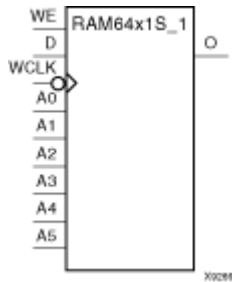
// End of RAM64X1S_inst instantiation
    
```

For More Information

- See the [Virtex-5 User Guide](#).
- See the [Virtex-5 Data Sheets](#).

RAM64X1S_1

Primitive: 64-Deep by 1-Wide Static Synchronous RAM with Negative-Edge Clock



Introduction

This design element is a 64-word by 1-bit static random access memory with synchronous write capability. When the write enable is Low, transitions on the write clock (WCLK) are ignored and data stored in the RAM is not affected. When (WE) is High, any negative transition on (WCLK) loads the data on the data input (D) into the word selected by the 6-bit address (A5 – A0). For predictable performance, address and data inputs must be stable before a High-to-Low (WCLK) transition. This RAM block assumes an active-Low (WCLK). However, (WCLK) can be active-High or active-Low. Any inverter placed on the (WCLK) input net is absorbed into the block.

The signal output on the data output pin (O) is the data that is stored in the RAM at the location defined by the values on the address pins.

You can initialize this element during configuration using the INIT attribute.

Logic Table

Inputs			Outputs
WE (mode)	WCLK	D	O
0 (read)	X	X	Data
1 (read)	0	X	Data
1 (read)	1	X	Data
1 (write)	↓	D	D
1 (read)	↑	X	Data

Data = word addressed by bits A5 – A0

Design Entry Method

Instantiation	Yes
Inference	Recommended
Coregen and wizards	No
Macro support	No

Available Attributes

Attribute	Type	Allowed Values	Default	Description
INIT	Hexadecimal	Any 64-Bit Value	All zeros	Initializes ROMs, RAMs, registers, and look-up tables.

VHDL Instantiation Template

Unless they already exist, copy the following two statements and paste them before the entity declaration.

```
Library UNISIM;
use UNISIM.vcomponents.all;

-- RAM64X1S_1: 64 x 1 negative edge write, asynchronous read single-port distributed RAM
--           Virtex-II/II-Pro, Spartan-3/3E/3A
-- Xilinx HDL Libraries Guide, version 10.1.2

RAM64X1S_1_inst : RAM64X1S_1
generic map (
  INIT => X"0000000000000000")
port map (
  O => O,          -- 1-bit data output
  A0 => A0,        -- Address[0] input bit
  A1 => A1,        -- Address[1] input bit
  A2 => A2,        -- Address[2] input bit
  A3 => A3,        -- Address[3] input bit
  A4 => A4,        -- Address[4] input bit
  A5 => A5,        -- Address[5] input bit
  D => D,          -- 1-bit data input
  WCLK => WCLK,    -- Write clock input
  WE => WE         -- Write enable input
);

-- End of RAM64X1S_1_inst instantiation
```

Verilog Instantiation Template

```
// RAM64X1S_1: 64 x 1 negative edge write, asynchronous read single-port distributed RAM
//           Virtex-II/II-Pro, Spartan-3/3E/3A
// Xilinx HDL Libraries Guide, version 10.1.2

RAM64X1S_1 #(
  .INIT(64'h0000000000000000) // Initial contents of RAM
) RAM64X1S_1_inst (
  .O(O),          // 1-bit data output
  .A0(A0),        // Address[0] input bit
  .A1(A1),        // Address[1] input bit
  .A2(A2),        // Address[2] input bit
  .A3(A3),        // Address[3] input bit
  .A4(A4),        // Address[4] input bit
  .A5(A5),        // Address[5] input bit
  .D(D),          // 1-bit data input
  .WCLK(WCLK),    // Write clock input
  .WE(WE)         // Write enable input
);

// End of RAM64X1S_1_inst instantiation
```

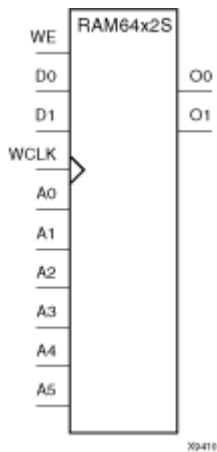
For More Information

- See the [Virtex-5 User Guide](#).

- See the [Virtex-5 Data Sheets](#).

RAM64X2S

Primitive: 64-Deep by 2-Wide Static Synchronous RAM



Introduction

This design element is a 64-word by 2-bit static random access memory with synchronous write capability. When the write enable (WE) is Low, transitions on the write clock (WCLK) are ignored and data stored in the RAM is not affected. When WE is High, any positive transition on WCLK loads the data on the data input (D1–D0) into the word selected by the 6-bit address (A5–A0). For predictable performance, address and data inputs must be stable before a Low-to-High WCLK transition. This RAM block assumes an active-High WCLK. However, WCLK can be active-High or active-Low. Any inverter placed on the WCLK input net is absorbed into the block.

The signal output on the data output pins (O1–O0) is the data that is stored in the RAM at the location defined by the values on the address pins. You can use the INIT_00 and INIT_01 properties to specify the initial contents of this design element.

Logic Table

Inputs			Outputs
WE (mode)	WCLK	D0–D1	O0–O1
0 (read)	X	X	Data
1 (read)	0	X	Data
1 (read)	1	X	Data
1 (write)	↑	D1–D0	D1–D0
1 (read)	↓	X	Data

Data = word addressed by bits A5–A0

Design Entry Method

Instantiation	Yes
Inference	Recommended

Coregen and wizards	No
Macro support	No

Available Attributes

Attribute	Type	Allowed Values	Default	Description
INIT_00	Hexadecimal	Any 64-Bit Value	All zeros	Initializes RAMs, registers, and look-up tables.
INIT_01	Hexadecimal	Any 64-Bit Value	All zeros	Initializes RAMs, registers, and look-up tables.

VHDL Instantiation Template

Unless they already exist, copy the following two statements and paste them before the entity declaration.

```

Library UNISIM;
use UNISIM.vcomponents.all;

-- RAM64X2S: 64 x 2 positive edge write, asynchronous read single-port distributed RAM
--           Virtex-II/II-Pro/4/5
-- Xilinx HDL Libraries Guide, version 10.1.2

RAM64X2S_inst : RAM64X2S
generic map (
INIT_00 => X"0000000000000000", -- INIT for bit 0 of RAM
INIT_01 => X"0000000000000000") -- INIT for bit 1 of RAM
port map (
O0 => O0,      -- Data[0] output
O1 => O1,      -- Data[1] output bit
A0 => A0,      -- Address[0] input bit
A1 => A1,      -- Address[1] input bit
A2 => A2,      -- Address[2] input bit
A3 => A3,      -- Address[3] input bit
A4 => A4,      -- Address[4] input bit
A5 => A5,      -- Address[5] input bit
D0 => D0,      -- Data[0] input
D1 => D1,      -- Data[1] input
WCLK => WCLK,  -- Write clock input
WE => WE       -- Write enable input
);

-- End of RAM64X2S_inst instantiation
    
```

Verilog Instantiation Template

```

// RAM64X2S: 64 x 2 positive edge write, asynchronous read single-port distributed RAM
//           Virtex-II/II-Pro
// Xilinx HDL Libraries Guide, version 10.1.2

RAM64X2S #(
.INIT_00(64'h0000000000000000), // INIT for RAM bit 0
.INIT_01(64'h0000000000000000) // INIT for RAM bit 1
) RAM64X2S_inst (
.O0(O0),      // Data[0] output
.O1(O1),      // Data[1] output bit
.A0(A0),      // Address[0] input bit
.A1(A1),      // Address[1] input bit
.A2(A2),      // Address[2] input bit
.A3(A3),      // Address[3] input bit
.A4(A4),      // Address[4] input bit
.A5(A5),      // Address[5] input bit
.D0(D0),      // Data[0] input
    
```

```
.D1(D1),      // Data[1] input
.WCLK(WCLK), // Write clock input
.WE(WE)      // Write enable input
);

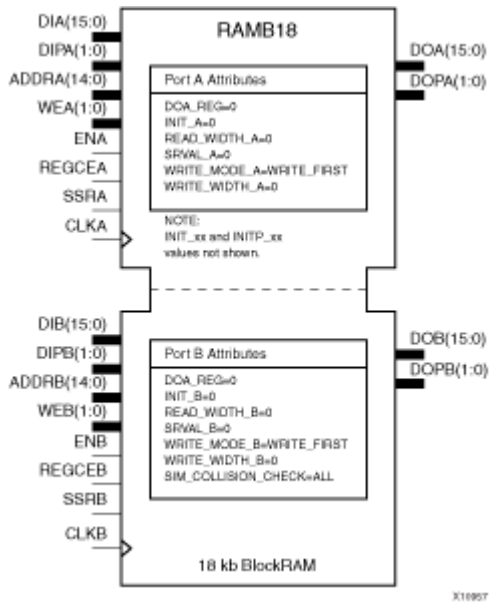
// End of RAM64X2S_inst instantiation
```

For More Information

- See the [Virtex-5 User Guide](#).
- See the [Virtex-5 Data Sheets](#).

RAMB18

Primitive: 18K-bit Configurable Synchronous True Dual Port Block RAM



Introduction

Virtex®-5 devices contain several block RAM memories in which can be configured as FIFOs, automatic error correction RAM, or general-purpose 36KB or 18KB RAM/ROM memories. These block RAM memories offer fast and flexible storage of large amounts of on-chip data. The RAMB18 allows access to the block RAM in the 18KB configuration. This element can be cascaded to create a larger ram. This element can be configured and used as a 1-bit wide by 16K deep to an 18-bit wide by 1029-bit deep true dual port RAM. Both read and write operations are fully synchronous to the supplied clock(s) to the component. However, the READ and WRITE ports can operate fully independent and asynchronous to each other accessing the same memory array. When configured in the wider data width modes, byte-enable write operations are possible, and an optional output register can be used to reduce the clock-to-out times of the RAM.

Port Descriptions

Port	Direction	Width	Function
DOA, DOB	Output	1, 2, 4, 8, 16	Port A/B data output bus.
DOPA, DOPB	Output	0, 1, 2	Port A/B parity data output bus.
DIA, DIB	Input	1, 2, 4, 8, 16	Port A/B data input bus.
DIPA, DIPB	Input	0, 1, 2	Port A/B parity data input bus.
ADDRA, ADDR B	Input	14	Port A/B address input bus.
WEA	Input	2	Port A byte-wide write enable.
WEB	Input	2	Port B byte-wide write enable.
ENA, ENB	Input	1	Port A/B enable

Port	Direction	Width	Function
SSRA, SSRB	Input	1	Port A/B output registers synchronous set/reset. Active high will synchronous preset/reset to the associated port to the value specified for SRVAL_A/SRVAL_B.
REGCEA, REGCEB	Input	1	Port A/B output register clock enable input
CLKA, CLKB	Input	1	Port A/B clock input.

Design Entry Method

Instantiation	Yes
Inference	No
Coregen and wizards	No
Macro support	Recommended

Available Attributes

Attribute	Type	Allowed Values	Default	Description
DOA_REG, DOB_REG	Integer	0 or 1	0	A value of 1 enables the output registers the RAM enabling quicker clock-to-out from the RAM at the expense of an added clock cycle of read latency. A value of 0 allows a read in one clock cycle but will result in slower clock-to-out timing.
INIT_A	Hexadecimal	Any 18-Bit Value	All zeros	Specifies the initial value on the Port A output after configuration.
INIT_B	Hexadecimal	Any 18-Bit Value	All zeros	Specifies the initial value on the Port B output after configuration.
READ_WIDTH_A	Integer	0, 1, 2, 4, 9, or 18	0	Specifies the desired data width for a read on Port A including parity bits. The 0 signifies that the port is not used.
READ_WIDTH_B	Integer	0, 1, 2, 4, 9, or 18	0	Specifies the desired data width for a read on Port B including parity bits. The 0 signifies that the port is not used.
SIM_COLLISION_ CHECK	String	"ALL", "WARNING_ONLY", "GENERATE_ X_ONLY" or "NONE"	"ALL"	<p>Allows modification of the simulation behavior so that if a memory collision occurs:</p> <p>"ALL" = warning produced and affected outputs/memory location go unknown (X)</p> <p>"WARNING_ONLY" = warning produced and affected outputs/memory retain last value</p> <p>"GENERATE_X_ONLY" = no warning however affected outputs/memory go unknown (X)</p> <p>"NONE" = no warning and affected outputs/memory retain last value</p> <p><i>Note:</i> Setting this to a value other than "ALL" can allow problems in the design go unnoticed during simulation. Care should be taken when changing the value of this attribute.</p>

Attribute	Type	Allowed Values	Default	Description
SIM_MODE	String	"SAFE" or "FAST".	"SAFE"	This is a simulation only attribute. It will direct the simulation model to run in performance-oriented mode when set to "FAST." Please see the Synthesis and Simulation Design Guide for more information.
SRVAL_A	Hexadecimal	Any 18-Bit Value	All zeros	Specifies the output value of Port A upon the assertion of the synchronous reset (SSRA) signal.
SRVAL_B	Hexadecimal	Any 18-Bit Value	All zeros	Specifies the output value of Port B upon the assertion of the synchronous reset (SSRB) signal.
WRITE_MODE_A, WRITE_MODE_B	String	"WRITE_FIRST", "READ_FIRST", or "NO_CHANGE"	WRITE_ FIRST"	Specifies output behavior of the port being written to: "WRITE_FIRST" = written value appears on output port of the RAM READ_FIRST = previous RAM contents for that memory location appear on the output port NO_CHANGE = previous value on the output port remains the same.
WRITE_WIDTH_A	Integer	0,1, 2, 4, 9, or 18	0	Specifies the desired data width for a write to Port A including parity bits. The 0 signifies that the port is not used.
WRITE_WIDTH_B	Integer	0,1, 2, 4, 9, or 18	0	Specifies the desired data width for a write to Port B including parity bits. The 0 signifies that the port is not used.
INIT_00 to INIT_3F	Hexadecimal	Any 256-Bit Value	All zeros	Allows specification of the initial contents of the 16KB data memory array.
INITP_00 to INITP_07	Hexadecimal	Any 256-Bit Value	All zeroes	Allows specification of the initial contents of the 2KB parity data memory array.

Mapping of INIT_A, INIT_B, SRVAL_A, SRVAL_B

The INIT_A, INIT_B, SRVAL_A and SRVAL_B attributes are all 18-bit attributes, however if the READ_WIDTH is set to a value less than 18 for the particular port only a subset of the bits are used.

VHDL Instantiation Template

Unless they already exist, copy the following two statements and paste them before the entity declaration.

```

Library UNISIM;
use UNISIM.vcomponents.all;

-- RAMB18: 16k+2k Parity Paramatizable True Dual-Port BlockRAM
--      Virtex-5
-- Xilinx HDL Libraries Guide, version 10.1.2

RAMB18_inst : RAMB18
generic map (
DOA_REG => 0, -- Optional output register on A port (0 or 1)
DOB_REG => 0, -- Optional output register on B port (0 or 1)
INIT_A => X"00000", -- Initial values on A output port
INIT_B => X"00000", -- Initial values on B output port
READ_WIDTH_A => 0, -- Valid values are 1, 2, 4, 9, or 18
READ_WIDTH_B => 0, -- Valid values are 1, 2, 4, 9, or 18
SIM_COLLISION_CHECK => "ALL", -- Collision check enable "ALL", "WARNING_ONLY",
-- "GENERATE_X_ONLY" or "NONE"

```



```

-- The next set of INITP_xx are for the parity bits
INITP_00 => X"0000000000000000000000000000000000000000000000000000000000000000",
INITP_01 => X"0000000000000000000000000000000000000000000000000000000000000000",
INITP_02 => X"0000000000000000000000000000000000000000000000000000000000000000",
INITP_03 => X"0000000000000000000000000000000000000000000000000000000000000000",
INITP_04 => X"0000000000000000000000000000000000000000000000000000000000000000",
INITP_05 => X"0000000000000000000000000000000000000000000000000000000000000000",
INITP_06 => X"0000000000000000000000000000000000000000000000000000000000000000",
INITP_07 => X"0000000000000000000000000000000000000000000000000000000000000000"
port map (
DOA => DOA, -- 16-bit A port data output
DOB => DOB, -- 16-bit B port data output
DOPA => DOPA, -- 2-bit A port parity data output
DOPB => DOPB, -- 2-bit B port parity data output
ADDRA => ADDR_A, -- 14-bit A port address input
ADDRB => ADDR_B, -- 14-bit B port address input
CLKA => CLKA, -- 1-bit A port clock input
CLKB => CLKB, -- 1-bit B port clock input
DIA => DIA, -- 16-bit A port data input
DIB => DIB, -- 16-bit B port data input
DIPA => DIPA, -- 2-bit A port parity data input
DIPB => DIPB, -- 2-bit B port parity data input
ENA => ENA, -- 1-bit A port enable input
ENB => ENB, -- 1-bit B port enable input
REGCEA => REGCEA, -- 1-bit A port register enable input
REGCEB => REGCEB, -- 1-bit B port register enable input
SSRA => SSRA, -- 1-bit A port set/reset input
SSRB => SSRB, -- 1-bit B port set/reset input
WEA => WEA, -- 2-bit A port write enable input
WEB => WEB, -- 2-bit B port write enable input
);

-- End of RAMB18_inst instantiation
    
```

Verilog Instantiation Template

```

// RAMB18: 16k+2k Parity Paramatizable True Dual-Port BlockRAM
//          Virtex-5
// Xilinx HDL Libraries Guide, version 10.1.2

RAMB18 #(
.SIM_MODE("SAFE"), // Simulation: "SAFE" vs. "FAST", see "Synthesis and Simulation Design Guide" for details
.DOA_REG(0), // Optional output registers on A port (0 or 1)
.DOB_REG(0), // Optional output registers on B port (0 or 1)
.INIT_A(18'h00000), // Initial values on A output port
.INIT_B(18'h00000), // Initial values on B output port
.READ_WIDTH_A(0), // Valid values are 1, 2, 4, 9 or 18
.READ_WIDTH_B(0), // Valid values are 1, 2, 4, 9 or 18
.SIM_COLLISION_CHECK("ALL"), // Collision check enable "ALL", "WARNING_ONLY",
// "GENERATE_X_ONLY" or "NONE"
.SRVAL_A(18'h00000), // Set/Reset value for A port output
.SRVAL_B(18'h00000), // Set/Reset value for B port output
.WRITE_MODE_A("WRITE_FIRST"), // "WRITE_FIRST", "READ_FIRST", or "NO_CHANGE"
.WRITE_MODE_B("WRITE_FIRST"), // "WRITE_FIRST", "READ_FIRST", or "NO_CHANGE"
.WRITE_WIDTH_A(0), // Valid values are 1, 2, 4, 9 or 18
.WRITE_WIDTH_B(0), // Valid values are 1, 2, 4, 9 or 18

// The following INIT_xx declarations specify the initial contents of the RAM
.INIT_00(256'h0000000000000000000000000000000000000000000000000000000000000000),
.INIT_01(256'h0000000000000000000000000000000000000000000000000000000000000000),
.INIT_02(256'h0000000000000000000000000000000000000000000000000000000000000000),
.INIT_03(256'h0000000000000000000000000000000000000000000000000000000000000000),
.INIT_04(256'h0000000000000000000000000000000000000000000000000000000000000000),
.INIT_05(256'h0000000000000000000000000000000000000000000000000000000000000000),
.INIT_06(256'h0000000000000000000000000000000000000000000000000000000000000000),
.INIT_07(256'h0000000000000000000000000000000000000000000000000000000000000000),
.INIT_08(256'h0000000000000000000000000000000000000000000000000000000000000000),
.INIT_09(256'h0000000000000000000000000000000000000000000000000000000000000000),
.INIT_0A(256'h0000000000000000000000000000000000000000000000000000000000000000),
    
```



```
.DIB(DIB),      // 16-bit B port data input
.DIPA(DIPA),   // 2-bit A port parity data input
.DIPB(DIPB),   // 2-bit B port parity data input
.ENA(ENA),     // 1-bit A port enable input
.ENB(ENB),     // 1-bit B port enable input
.REGCEA(REGCEA), // 1-bit A port register enable input
.REGCEB(REGCEB), // 1-bit B port register enable input
.SSRA(SSRA),   // 1-bit A port set/reset input
.SSRB(SSRB),   // 1-bit B port set/reset input
.WEA(WEA),     // 2-bit A port write enable input
.WEB(WEB),     // 2-bit B port write enable input
);

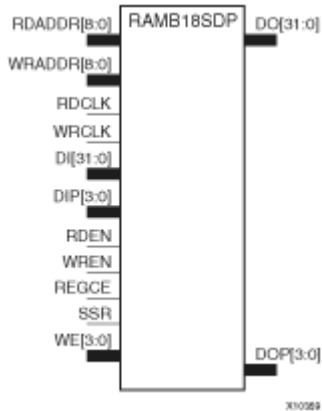
// End of RAMB18_inst instantiation
```

For More Information

- See the [Virtex-5 User Guide](#).
- See the [Virtex-5 Data Sheets](#).

RAMB18SDP

Primitive: 36-bit by 512 Deep, 18KB Synchronous Simple Dual Port Block RAM



Introduction

This design element is one of several Block RAM memories in the Virtex-5 architecture that can be configured as FIFOs, automatic error correction RAM, or general-purpose, 36KB or 18KB RAM/ROM memories. These Block RAM memories offer fast and flexible storage of large amounts of on-chip data. The RAMB18SDP gives you access to the Block RAM in the 18KB configuration. This component is set to a 36-bit wide by 512 deep simple dual port RAM. Both read and write operations are fully synchronous to the supplied clock(s) to the component. However, the READ and WRITE ports can operate fully independent and asynchronous to each other, accessing the same memory array. Byte-enable write operations are possible, and an optional output register can be used to reduce the clock-to-out times of the RAM.

Port Descriptions

Port	Direction	Width	Function
DO	Output	32	Data output bus addressed by RDADDR.
DOP	Output	4	Data parity output bus addressed by RDADDR.
DI	Input	32	Data input bus addressed by WRADDR.
DIP	Input	4	Data parity input bus addressed by WRADDR.
WRDDRA, RDDDRB	Input	9	Write/Read address input buses.
WE	Input	4	Write enable.
WREN, RDEN	Input	1	Write/Read enable
SSR	Input	1	Output registers synchronous reset.
REGCE	Input	1	Output register clock enable input (valid only when DO_REG=1)
WRCLK, RDCLK	Input	1	Write/Read clock input.

Design Entry Method

Instantiation	Yes
Inference	No
Coregen and wizards	No
Macro support	Recommended

Available Attributes

Attribute(s)	Type	Allowed Values	Default	Description
DO_REG	Integer	0 or 1	0	A value of 1 enables the output registers to the RAM, enabling quicker clock-to-out from the RAM at the expense of an added clock cycle of read latency. A value of 0 allows a read in one clock cycle, but will have slower clock-to-out timing.
INIT	Hexadecimal	Any 256-Bit Value	All zeros	Specifies the initial value on the output after configuration.
SIM_COLLISION_CHECK	String	"ALL", "WARNING_ONLY", "GENERATE_X_ONLY" or "NONE"	"ALL"	Allows modification of the simulation behavior so that if a memory collision occurs: "ALL" = warning produced and affected outputs/memory location go unknown (X) "WARNING_ONLY" = warning produced and affected outputs/memory retain last value "GENERATE_X_ONLY" = no warning however affected outputs/memory go unknown (X) "NONE" = no warning and affected outputs/memory retain last value Note: Setting this to a value other than "ALL" can allow problems in the design go unnoticed during simulation. Care should be taken when changing the value of this attribute.
SIM_MODE	String	"SAFE" or "FAST" .	"SAFE"	This is a simulation only attribute. It will direct the simulation model to run in performance-oriented mode when set to "FAST." Please see the Synthesis and Simulation Design Guide for more information.
SRVAL	Hexadecimal	Any 36-Bit Value	All zeros	Specifies the output value of on the DO port upon the assertion of the synchronous reset (SSR) signal.
INIT_00 to INIT_3F	Hexadecimal	Any 256-Bit Value	All zeros	Allows specification of the initial contents of the 16KB data memory array.
INITP_00 to INITP_07	Hexadecimal	Any 256-Bit Value	All zeros	Allows specification of the initial contents of the 2KB parity data memory array.

VHDL Instantiation Template

Unless they already exist, copy the following two statements and paste them before the entity declaration.

```

Library UNISIM;
use UNISIM.vcomponents.all;

-- RAMB18SDP: 36x512 Simple Dual-Port BlockRAM
--           Virtex-5
-- Xilinx HDL Libraries Guide, version 10.1.2

RAMB18SDP_inst : RAMB18SDP
generic map (
DO_REG => 0,           -- Optional output register (0 or 1)
INIT => X"000000000",  -- Initial values on output port
SIM_COLLISION_CHECK => "ALL", -- Collision check enable "ALL", "WARNING_ONLY",
-- "GENERATE_X_ONLY" or "NONE"
SIM_MODE => "SAFE", -- Simulation: "SAFE" vs "FAST", see "Synthesis and Simulation
-- Design Guide" for details
SRVAL => X"000000000", -- Set/Reset value for port output
-- The following INIT_xx declarations specify the initial contents of the RAM
INIT_00 => X"0000000000000000000000000000000000000000000000000000000000000000",
INIT_01 => X"0000000000000000000000000000000000000000000000000000000000000000",
INIT_02 => X"0000000000000000000000000000000000000000000000000000000000000000",
INIT_03 => X"0000000000000000000000000000000000000000000000000000000000000000",
INIT_04 => X"0000000000000000000000000000000000000000000000000000000000000000",
INIT_05 => X"0000000000000000000000000000000000000000000000000000000000000000",
INIT_06 => X"0000000000000000000000000000000000000000000000000000000000000000",
INIT_07 => X"0000000000000000000000000000000000000000000000000000000000000000",
INIT_08 => X"0000000000000000000000000000000000000000000000000000000000000000",
INIT_09 => X"0000000000000000000000000000000000000000000000000000000000000000",
INIT_0A => X"0000000000000000000000000000000000000000000000000000000000000000",
INIT_0B => X"0000000000000000000000000000000000000000000000000000000000000000",
INIT_0C => X"0000000000000000000000000000000000000000000000000000000000000000",
INIT_0D => X"0000000000000000000000000000000000000000000000000000000000000000",
INIT_0E => X"0000000000000000000000000000000000000000000000000000000000000000",
INIT_0F => X"0000000000000000000000000000000000000000000000000000000000000000",
INIT_10 => X"0000000000000000000000000000000000000000000000000000000000000000",
INIT_11 => X"0000000000000000000000000000000000000000000000000000000000000000",
INIT_12 => X"0000000000000000000000000000000000000000000000000000000000000000",
INIT_13 => X"0000000000000000000000000000000000000000000000000000000000000000",
INIT_14 => X"0000000000000000000000000000000000000000000000000000000000000000",
INIT_15 => X"0000000000000000000000000000000000000000000000000000000000000000",
INIT_16 => X"0000000000000000000000000000000000000000000000000000000000000000",
INIT_17 => X"0000000000000000000000000000000000000000000000000000000000000000",
INIT_18 => X"0000000000000000000000000000000000000000000000000000000000000000",
INIT_19 => X"0000000000000000000000000000000000000000000000000000000000000000",
INIT_1A => X"0000000000000000000000000000000000000000000000000000000000000000",
INIT_1B => X"0000000000000000000000000000000000000000000000000000000000000000",
INIT_1C => X"0000000000000000000000000000000000000000000000000000000000000000",
INIT_1D => X"0000000000000000000000000000000000000000000000000000000000000000",
INIT_1E => X"0000000000000000000000000000000000000000000000000000000000000000",
INIT_1F => X"0000000000000000000000000000000000000000000000000000000000000000",
INIT_20 => X"0000000000000000000000000000000000000000000000000000000000000000",
INIT_21 => X"0000000000000000000000000000000000000000000000000000000000000000",
INIT_22 => X"0000000000000000000000000000000000000000000000000000000000000000",
INIT_23 => X"0000000000000000000000000000000000000000000000000000000000000000",
INIT_24 => X"0000000000000000000000000000000000000000000000000000000000000000",
INIT_25 => X"0000000000000000000000000000000000000000000000000000000000000000",
INIT_26 => X"0000000000000000000000000000000000000000000000000000000000000000",
INIT_27 => X"0000000000000000000000000000000000000000000000000000000000000000",
INIT_28 => X"0000000000000000000000000000000000000000000000000000000000000000",
INIT_29 => X"0000000000000000000000000000000000000000000000000000000000000000",
INIT_2A => X"0000000000000000000000000000000000000000000000000000000000000000",
INIT_2B => X"0000000000000000000000000000000000000000000000000000000000000000",
INIT_2C => X"0000000000000000000000000000000000000000000000000000000000000000",
INIT_2D => X"0000000000000000000000000000000000000000000000000000000000000000",
INIT_2E => X"0000000000000000000000000000000000000000000000000000000000000000",
INIT_2F => X"0000000000000000000000000000000000000000000000000000000000000000",
INIT_30 => X"0000000000000000000000000000000000000000000000000000000000000000",
INIT_31 => X"0000000000000000000000000000000000000000000000000000000000000000",
INIT_32 => X"0000000000000000000000000000000000000000000000000000000000000000",
INIT_33 => X"0000000000000000000000000000000000000000000000000000000000000000",
INIT_34 => X"0000000000000000000000000000000000000000000000000000000000000000",

```

```

INIT_35 => X"0000000000000000000000000000000000000000000000000000000000000000",
INIT_36 => X"0000000000000000000000000000000000000000000000000000000000000000",
INIT_37 => X"0000000000000000000000000000000000000000000000000000000000000000",
INIT_38 => X"0000000000000000000000000000000000000000000000000000000000000000",
INIT_39 => X"0000000000000000000000000000000000000000000000000000000000000000",
INIT_3A => X"0000000000000000000000000000000000000000000000000000000000000000",
INIT_3B => X"0000000000000000000000000000000000000000000000000000000000000000",
INIT_3C => X"0000000000000000000000000000000000000000000000000000000000000000",
INIT_3D => X"0000000000000000000000000000000000000000000000000000000000000000",
INIT_3E => X"0000000000000000000000000000000000000000000000000000000000000000",
INIT_3F => X"0000000000000000000000000000000000000000000000000000000000000000",
-- The next set of INITP_xx are for the parity bits
INITP_00 => X"0000000000000000000000000000000000000000000000000000000000000000",
INITP_01 => X"0000000000000000000000000000000000000000000000000000000000000000",
INITP_02 => X"0000000000000000000000000000000000000000000000000000000000000000",
INITP_03 => X"0000000000000000000000000000000000000000000000000000000000000000",
INITP_04 => X"0000000000000000000000000000000000000000000000000000000000000000",
INITP_05 => X"0000000000000000000000000000000000000000000000000000000000000000",
INITP_06 => X"0000000000000000000000000000000000000000000000000000000000000000",
INITP_07 => X"0000000000000000000000000000000000000000000000000000000000000000")
port map (
DO => DO,          -- 32-bit Data Output
DOP => DOP,        -- 4-bit Parity Output
RDCLK => RDCLK,    -- 1-bit read port clock
RDEN => RDEN,     -- 1-bit read port enable
REGCE => REGCE,   -- 1-bit register enable input
SSR => SSR,       -- 1-bit synchronous output set/reset input
WRCLK => WRCLK,   -- 1-bit write port clock
WREN => WREN,    -- 1-bit write port enable
WRADDR => WRADDR, -- 9-bit write port address input
RDADDR => RDADDR, -- 9-bit read port address input
DI => DI,        -- 32-bit data input
DIP => DIP,      -- 4-bit parity data input
WE => WE        -- 4-bit write enable input
);

-- End of RAMB18SDP_inst instantiation

```

Verilog Instantiation Template

```

// RAMB18SDP: 36x512 Simple Dual-Port BlockRAM
// Virtex-5
// Xilinx HDL Libraries Guide, version 10.1.2

RAMB18SDP #(
.SIM_MODE("SAFE"), // Simulation: "SAFE" vs. "FAST", see "Synthesis and Simulation Design Guide" for details
.DO_REG(0), // Optional output register (0 or 1)
.INIT(36'h00000000), // Initial values on output port
.SIM_COLLISION_CHECK("ALL"), // Collision check enable "ALL", "WARNING_ONLY",
// "GENERATE_X_ONLY" or "NONE"
.SRVAL(36'h00000000), // Set/Reset value for port output

// The following INIT_xx declarations specify the initial contents of the RAM
.INIT_00(256'h00000000_00000000_00000000_00000000_00000000_00000000_00000000_00000000),
.INIT_01(256'h00000000_00000000_00000000_00000000_00000000_00000000_00000000_00000000),
.INIT_02(256'h00000000_00000000_00000000_00000000_00000000_00000000_00000000_00000000),
.INIT_03(256'h00000000_00000000_00000000_00000000_00000000_00000000_00000000_00000000),
.INIT_04(256'h00000000_00000000_00000000_00000000_00000000_00000000_00000000_00000000),
.INIT_05(256'h00000000_00000000_00000000_00000000_00000000_00000000_00000000_00000000),
.INIT_06(256'h00000000_00000000_00000000_00000000_00000000_00000000_00000000_00000000),
.INIT_07(256'h00000000_00000000_00000000_00000000_00000000_00000000_00000000_00000000),
.INIT_08(256'h00000000_00000000_00000000_00000000_00000000_00000000_00000000_00000000),
.INIT_09(256'h00000000_00000000_00000000_00000000_00000000_00000000_00000000_00000000),
.INIT_0A(256'h00000000_00000000_00000000_00000000_00000000_00000000_00000000_00000000),
.INIT_0B(256'h00000000_00000000_00000000_00000000_00000000_00000000_00000000_00000000),
.INIT_0C(256'h00000000_00000000_00000000_00000000_00000000_00000000_00000000_00000000),
.INIT_0D(256'h00000000_00000000_00000000_00000000_00000000_00000000_00000000_00000000),
.INIT_0E(256'h00000000_00000000_00000000_00000000_00000000_00000000_00000000_00000000),
.INIT_0F(256'h00000000_00000000_00000000_00000000_00000000_00000000_00000000_00000000),

```



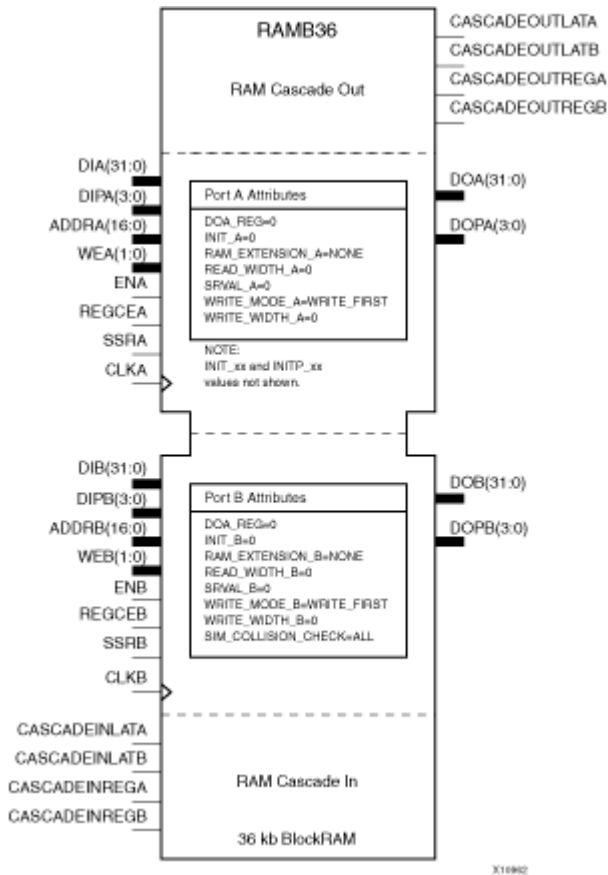
```
// End of RAMB18SDP_inst instantiation
```

For More Information

- See the [Virtex-5 User Guide](#).
- See the [Virtex-5 Data Sheets](#).

RAMB36

Primitive: 36KB Configurable Synchronous True Dual Port Block RAM



Introduction

This design element is one of several block RAM memories in the Virtex®-5 architecture that can be configured as FIFOs, automatic error correction RAM, or general-purpose, 36KB or 18KB RAM/ROM memories. These block RAM memories offer fast and flexible storage of large amounts of on-chip data. This element allows access to the block RAM in the 36KB configuration. This component can be configured and used as a 1-bit wide by 32K deep to a 36-bit wide by 1K deep true dual port RAM. Both read and write operations are fully synchronous to the supplied clock(s) to the component however Port A and Port B can operate fully independent and asynchronous to each other accessing the same memory array. When configured in the wider data width modes, byte-enable write operations are possible and an option output register can be used to reduce the clock-to-out times of the RAM at the expense of an extra clock cycle of latency.

This design element should be used for Simple Dual Port 72-bit wide, 512 deep, optional ECC scrub functionality. This element can be created using cascaded RAMB18s.

The following possible combination of elements can be placed in RAMB36:

- RAMB18/RAMB18
- RAMB18/FIFO18
- RAMB18SDR/RAMB18SDP
- RAMB18SDP/FIFO18_36

Port Descriptions

Port	Direction	Width	Function
DOA	Output	1, 2, 4, 8, 16, 32	Port A data output bus.
DOB	Output	1, 2, 4, 8, 16, 32	Port B data output bus.
DOPA, DOPB	Output	0, 1, 2, 4	Port A/B parity data output bus.
CASCADE-OUTLATA, CASCADE-OUTLATB	Output	1	Outputs for ports A and B used to cascade two BlockRAMs to create a 64K deep by 1 wide memory (connects to the lower CASCADEINLATA/B of another RAMB36, leave unconnected if not building a 64Kx1 RAM or if RAM_EXTENSION_A/B are not set to "LOWER")
CASCADE-OUTREGA, CASCADE-OUTREGB	Output	1	Outputs for ports A and B used to cascade two BlockRAMs to create a 64K deep by 1 wide memory (connects to the lower CASCADEINREGA/B of another RAMB36, leave unconnected if not building a 64Kx1 RAM or if RAM_EXTENSION_A/B are not set to "LOWER")
CASCADE-INLATA, CASCADE-INLATB	Input	1	Inputs for ports A and B used to cascade two BlockRAMs to create a 64K deep by 1 wide memory (connects to the upper CASCADEOUTLATA/B of another RAMB36, leave unconnected if not building a 64Kx1 RAM or if RAM_EXTENSION_A/B are not set to "UPPER")
CASCADE-INREGA, CASCADE-INREGB	Input	1	Inputs for ports A and B used to cascade two BlockRAMs to create a 64K deep by 1 wide memory (connects to the upper CASCADEOUTREGA/B of another RAMB36, leave unconnected if not building a 64Kx1 RAM or if RAM_EXTENSION_A/B are not set to "UPPER")
DIA	Input	1, 2, 4, 8, 16, 32	Port A data input bus.
DIB	Input	1, 2, 4, 8, 16, 32	Port B data input bus.
DIPA, DIPB	Input	0, 1, 2, 4	Port A/B parity data input bus.
ADDRA, ADDR B	Input	10 to 16	Port A/B address input bus; 16 for CASC mode.
WEA	Input	4	Port A byte-wide write enable
WEB	Input	4	Port B byte-wide write enable.
ENA, ENB	Input	1	Port A/B enable. Active high is enabled, while a low value will disable reads or writes to the associated port.
SSRA, SSRB	Input	1	Port A/B output registers synchronous set/reset. Active high will synchronous preset/reset to the associated port to the value specified for SRVAL_A/SRVAL_B.
REGCEA, REGCEB	Input	1	Port A/B output register clock enable input. Active high will clock enable the output registers to the associated port.

Design Entry Method

Instantiation	Yes
Inference	No
Coregen and wizards	No
Macro support	Recommended

The following table shows the necessary data, address and write enable connections for the variable width ports for each DATA_WIDTH values for either Port A or Port B. If a different width is used for the read and write on the same port, use the deeper of the two in order to select address connections. All data and address ports not necessary for a particular configuration should either be left unconnected or grounded:

DATA_WIDTH Value	DI, DIP Connections	ADDR Connections	WE Connections	DO, DOP Connections
1 (with cascade)	DI[0]	ADDR[15:0]	Connect WE[3:0] to single user WE signal	DO[0]
1 (without cascade)	DI[0]	ADDR[14:0]	Connect WE[3:0] to single user WE signal	DO[0]
2	DI[1:0]	ADDR[14:1]	Connect WE[3:0] to single user WE signal	DO[1:0]
4	DI[3:0]	ADDR[14:2]	Connect WE[3:0] to single user WE signal	DO[3:0]
9	DI[7:0], DIP[0]	ADDR[14:3]	Connect WE[3:0] to single user WE signal	DO[7:0], DOP[0]
18	DI[15:0], DIP[1:0]	ADDR[14:4]	Connect WE[0] and WE[2] to user WE[0] and WE[1] and WE[3] to user WE[1]	DO[15:0], DOP[1:0]
36	DI[31:0], DIP[3:0]	ADDR[14:5]	Connect each WE[3:0] signal to the associated byte write enable/	DO[31:0], DOP[3:0]

Available Attributes

Attribute	Type	Allowed Values	Default	Description
DOA_REG, DOB_REG	Integer	0 or 1	0	A value of 1 enables to the output registers to the RAM enabling quicker clock-to-out from the RAM at the expense of an added clock cycle of read latency. A value of 0 allows a read in one clock cycle, but will result in slower clock to out timing.
INIT_A	Hexadecimal	Any 36-Bit Value	All zeros	Specifies the initial value on the output of Port A of the RAMB36 after configuration.
INIT_B	Hexadecimal	Any 36-Bit Value	All zeros	Specifies the initial value on the output of Port B of the RAMB36 after configuration.
READ_WIDTH_A	Integer	0, 1, 4, 9, 18 or 36	0	Specifies the desired data width for a read on Port A, including parity bits. This value must be 0 if the Port B is not used. Otherwise, it should be set to the desired port width.

Attribute	Type	Allowed Values	Default	Description
READ_WIDTH_B	Integer	0, 1, 4, 9, 18 or 36	0	Specifies the desired data width for a read on Port B including parity bits. This value must be 0 if the Port B is not used. Otherwise, it should be set to the desired port width.
SIM_COLLISION_CHECK	String	"ALL", "WARNING_ONLY", "GENERATE_X_ONLY" or "NONE"	"ALL"	<p>Allows modification of the simulation behavior so that if a memory collision occurs:</p> <p>"ALL" = warning produced and affected outputs/memory location go unknown (X)</p> <p>"WARNING_ONLY" = warning produced and affected outputs/memory retain last value</p> <p>"GENERATE_X_ONLY" = no warning however affected outputs/memory go unknown (X)</p> <p>"NONE" = no warning and affected outputs/memory retain last value</p> <p>Note: Setting this to a value other than "ALL" can allow problems in the design go unnoticed during simulation. Care should be taken when changing the value of this attribute.</p>
SIM_MODE	String	"SAFE" or "FAST" .	"SAFE"	This is a simulation only attribute. It will direct the simulation model to run in performance-oriented mode when set to "FAST." Please see the Synthesis and Simulation Design Guide for more information.
SRVAL_A	Hexadecimal	Any 36-Bit Value	All zeros	Specifies the output value of the RAM upon the assertion of the Port A synchronous reset (SSRA) signal.
SRVAL_B	Hexadecimal	Any 36-Bit Value	All zeros	Specifies the output value of the RAM upon the assertion of the Port B synchronous reset (SSRB) signal.
WRITE_MODE_A, WRITE_MODE_B	String	"WRITE_FIRST", "READ_FIRST" or "NO_CHANGE"	"WRITE_FIRST"	<p>Specifies output behavior of the port being written to:</p> <p>"WRITE_FIRST" = written value appears on output port of the RAM</p> <p>"READ_FIRST" = previous RAM contents for that memory location appear on the output port</p> <p>"NO_CHANGE" = previous value on the output port remains the same.</p>
WRITE_WIDTH_A	Integer	0, 1, 2, 4, 9, 18 or 36	0	Specifies the desired data width for a write to Port B including parity bits. This value must be 0 if the port is not used. Otherwise should be set to the desired write width.

Attribute	Type	Allowed Values	Default	Description
WRITE_WIDTH_B	Integer	0, 1, 2, 4, 9, 18 or 36	0	Specifies the desired data width for a write to Port B including parity bits. This value must be 0 if the port is not used. Otherwise should be set to the desired write width.
RAM_EXTENTION_A, RAM_EXTENTION_B	String	"UPPER", "LOWER" or "NONE"	"NONE"	If not cascading two BlockRAMs to form a 72K x 1 RAM set to NONE". If cascading RAMs, set to either "UPPER" or "LOWER" to indicate relative RAM location for proper configuration of the RAM.
INIT_00 to INIT_7F	Hexadecimal	Any 256-Bit Value	All zeros	Allows specification of the initial contents of the 72KB data memory array.
INITP_00 to INITP_0F	Hexadecimal	Any 256-Bit Value	All zeros	Allows specification of the initial contents of the 4KB parity data memory array.

VHDL Instantiation Template

Unless they already exist, copy the following two statements and paste them before the entity declaration.

```

Library UNISIM;
use UNISIM.vcomponents.all;

-- RAMB36: 32k+4k Parity Paramatizable True Dual-Port BlockRAM
-- Virtex-5
-- Xilinx HDL Libraries Guide, version 10.1.2

RAMB36_inst : RAMB36
generic map (
DOA_REG => 0, -- Optional output register on A port (0 or 1)
DOB_REG => 0, -- Optional output register on B port (0 or 1)
INIT_A => X"000000000", -- Initial values on A output port
INIT_B => X"000000000", -- Initial values on B output port
RAM_EXTENSION_A => "NONE", -- "UPPER", "LOWER" or "NONE" when cascaded
RAM_EXTENSION_B => "NONE", -- "UPPER", "LOWER" or "NONE" when cascaded
READ_WIDTH_A => 0, -- Valid values are 1, 2, 4, 9, 18, or 36
READ_WIDTH_B => 0, -- Valid values are 1, 2, 4, 9, 18, or 36
SIM_COLLISION_CHECK => "ALL", -- Collision check enable "ALL", "WARNING_ONLY",
-- "GENERATE_X_ONLY" or "NONE"
SIM_MODE => "SAFE", -- Simulation: "SAFE" vs "FAST", see "Synthesis and Simulation
-- Design Guide" for details
SRVAL_A => X"000000000", -- Set/Reset value for A port output
SRVAL_B => X"000000000", -- Set/Reset value for B port output
WRITE_MODE_A => "WRITE_FIRST", -- "WRITE_FIRST", "READ_FIRST" or "NO_CHANGE"
WRITE_MODE_B => "WRITE_FIRST", -- "WRITE_FIRST", "READ_FIRST" or "NO_CHANGE"
WRITE_WIDTH_A => 0, -- Valid values are 1, 2, 3, 4, 9, 18, 36
WRITE_WIDTH_B => 0, -- Valid values are 1, 2, 3, 4, 9, 18, 36
-- The following INIT_xx declarations specify the initial contents of the RAM
INIT_00 => X"0000000000000000000000000000000000000000000000000000000000000000",
INIT_01 => X"0000000000000000000000000000000000000000000000000000000000000000",
INIT_02 => X"0000000000000000000000000000000000000000000000000000000000000000",
INIT_03 => X"0000000000000000000000000000000000000000000000000000000000000000",
INIT_04 => X"0000000000000000000000000000000000000000000000000000000000000000",
INIT_05 => X"0000000000000000000000000000000000000000000000000000000000000000",
INIT_06 => X"0000000000000000000000000000000000000000000000000000000000000000",
INIT_07 => X"0000000000000000000000000000000000000000000000000000000000000000",
INIT_08 => X"0000000000000000000000000000000000000000000000000000000000000000",
INIT_09 => X"0000000000000000000000000000000000000000000000000000000000000000",
INIT_0A => X"0000000000000000000000000000000000000000000000000000000000000000",
INIT_0B => X"0000000000000000000000000000000000000000000000000000000000000000",
INIT_0C => X"0000000000000000000000000000000000000000000000000000000000000000",
INIT_0D => X"0000000000000000000000000000000000000000000000000000000000000000",
INIT_0E => X"0000000000000000000000000000000000000000000000000000000000000000",

```



```
.SSRB(SSRB),      // 1-bit B port set/reset input
.WEA(WEA),        // 4-bit A port write enable input
.WEB(WEB)         // 4-bit B port write enable input
);

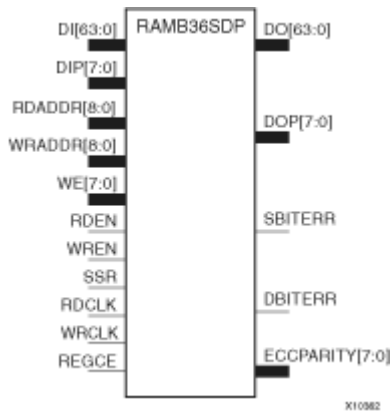
// End of RAMB36_inst instantiation
```

For More Information

- See the [Virtex-5 User Guide](#).
- See the [Virtex-5 Data Sheets](#).

RAMB36SDP

Primitive: 72-bit by 512 Deep, 36KB Synchronous Simple Dual Port Block RAM with ECC (Error Correction Circuitry)



Introduction

This design element is one of several Block RAM memories in the Virtex-5 architecture that can be configured as FIFOs, automatic error correction RAM, or general-purpose, 36KB or 18KB RAM/ROM memories. These Block RAM memories offer fast and flexible storage of large amounts of on-chip data. The RAMB36SDP gives you access to the Block RAM in the 36KB configuration. This component is set to a 72-bit wide by 512 deep simple dual port RAM. Both read and write operations are fully synchronous to the supplied clock(s) to the component. However, READ and WRITE ports can operate fully independent and asynchronous to each other accessing the same memory array. Byte-enable write operations are possible, and an optional output register can be used to reduce the clock-to-out times of the RAM. Error detection and correction circuitry can also be enabled to uncover and rectify possible memory corruptions.

Port Descriptions

Port	Direction	Width	Function
DO	Output	64	Data output bus addressed by RDADDR.
DOP	Output	8	Data parity output bus addressed by RDADDR.
SBITERR	Output	1	Status output from ECC function to indicate a single bit error was detected. EN_ECC_READ needs to be TRUE in order to use this functionality.
DBITERR	Output	1	Status output from ECC function to indicate a double bit error was detected. EN_ECC_READ needs to be TRUE in order to use this functionality.
ECCPARITY	Output	8	8-bit data generated by the ECC encoder used by the ECC decoder for memory error detection and correction.
DI	Input	64	Data input bus addressed by WRADDR.
DIP	Input	8	Data parity input bus addressed by WRADDR.
WRADDR, RDADDR	Input	9	Write/Read address input buses.
WE	Input	8	Write enable
WREN, RDEN	Input	1	Write/Read enable
SSR	Input	1	Output registers synchronous reset.

Port	Direction	Width	Function
REGCE	Input	1	Output register clock enable input (valid only when DO_REG=1)
WRCLK, RDCLK	Input	1	Write/Read clock input.

Design Entry Method

Instantiation	Yes
Inference	No
Coregen and wizards	No
Macro support	Recommended

Available Attributes

Attribute	Type	Allowed Values	Default	Description
DO_REG	Integer	0 or 1	0	A value of 1 enables to the output registers to the RAM enabling quicker clock-to-out from the RAM at the expense of an added clock cycle of read latency. A value of 0 allows a read in one clock cycle but will have slower clock to out timing.
INIT	Hexadecimal	Any 72-Bit Value	All zeros	Specifies the initial value on the output after configuration.
EN_ECC_READ	Boolean	TRUE or FALSE	FALSE	Enable the ECC decoder circuitry.
EN_ECC_WRITE	Boolean	TRUE or FALSE	FALSE	Enable the ECC encoder circuitry.
EN_ECC_SCRUB	Boolean	TRUE or FALSE	FALSE	Enable ECC scrubbing of RAM contents
SIM_COLLISION_CHECK	String	"ALL", "WARNING_ONLY", "GENERATE_X_ONLY" or "NONE"	"ALL"	Allows modification of the simulation behavior so that if a memory collision occurs: "ALL" = warning produced and affected outputs/memory location go unknown (X) "WARNING_ONLY" = warning produced and affected outputs/memory retain last value "GENERATE_X_ONLY" = no warning however affected outputs/memory go unknown (X) "NONE" = no warning and affected outputs/memory retain last value Note: Setting this to a value other than "ALL" can allow problems in the design go unnoticed during simulation. Care should be taken when changing the value of this attribute.
SIM_MODE	String	"SAFE" or "FAST" .	"SAFE"	This is a simulation only attribute. It will direct the simulation model to run in performance-oriented mode when set to "FAST." Please see the Synthesis and Simulation Design Guide for more information.
SRVAL	Hexadecimal	Any 72-Bit Value	All zeroes	Specifies the output value of on the DO port upon the assertion of the synchronous reset (SSR) signal.

Attribute	Type	Allowed Values	Default	Description
INIT_00 to INIT_3F	Hexadecimal	Any 256-Bit Value	All zeroes	Allows specification of the initial contents of the 16KB data memory array.
INITP_00 to INITP_07	Hexadecimal	Any 256-Bit Value	All zeroes	Allows specification of the initial contents of the 2KB parity data memory array.

VHDL Instantiation Template

Unless they already exist, copy the following two statements and paste them before the entity declaration.

```
Library UNISIM;
use UNISIM.vcomponents.all;

-- RAMB36SDP: 72x512 Simple Dual-Port BlockRAM /w ECC
--          Virtex-5
-- Xilinx HDL Libraries Guide, version 10.1.2

RAMB36SDP_inst : RAMB36SDP
generic map (
DO_REG => 0,           -- Optional output register (0 or 1)
EN_ECC_READ => FALSE, -- Enable ECC decoder, TRUE or FALSE
EN_ECC_WRITE => FALSE, -- Enable ECC encoder, TRUE or FALSE
INIT => X"00000000000000000000", -- Initial values on output port
SIM_COLLISION_CHECK => "ALL", -- Collision check enable "ALL", "WARNING_ONLY",
-- "GENERATE_X_ONLY" or "NONE"
SIM_MODE => "SAFE", -- Simulation: "SAFE" vs "FAST", see "Synthesis and Simulation
-- Design Guide" for details
SRVAL => X"00000000000000000000", -- Set/Reset value for port output
-- The following INIT_xx declarations specify the initial contents of the RAM
INIT_00 => X"0000000000000000000000000000000000000000000000000000000000000000",
INIT_01 => X"0000000000000000000000000000000000000000000000000000000000000000",
INIT_02 => X"0000000000000000000000000000000000000000000000000000000000000000",
INIT_03 => X"0000000000000000000000000000000000000000000000000000000000000000",
INIT_04 => X"0000000000000000000000000000000000000000000000000000000000000000",
INIT_05 => X"0000000000000000000000000000000000000000000000000000000000000000",
INIT_06 => X"0000000000000000000000000000000000000000000000000000000000000000",
INIT_07 => X"0000000000000000000000000000000000000000000000000000000000000000",
INIT_08 => X"0000000000000000000000000000000000000000000000000000000000000000",
INIT_09 => X"0000000000000000000000000000000000000000000000000000000000000000",
INIT_0A => X"0000000000000000000000000000000000000000000000000000000000000000",
INIT_0B => X"0000000000000000000000000000000000000000000000000000000000000000",
INIT_0C => X"0000000000000000000000000000000000000000000000000000000000000000",
INIT_0D => X"0000000000000000000000000000000000000000000000000000000000000000",
INIT_0E => X"0000000000000000000000000000000000000000000000000000000000000000",
INIT_0F => X"0000000000000000000000000000000000000000000000000000000000000000",
INIT_10 => X"0000000000000000000000000000000000000000000000000000000000000000",
INIT_11 => X"0000000000000000000000000000000000000000000000000000000000000000",
INIT_12 => X"0000000000000000000000000000000000000000000000000000000000000000",
INIT_13 => X"0000000000000000000000000000000000000000000000000000000000000000",
INIT_14 => X"0000000000000000000000000000000000000000000000000000000000000000",
INIT_15 => X"0000000000000000000000000000000000000000000000000000000000000000",
INIT_16 => X"0000000000000000000000000000000000000000000000000000000000000000",
INIT_17 => X"0000000000000000000000000000000000000000000000000000000000000000",
INIT_18 => X"0000000000000000000000000000000000000000000000000000000000000000",
INIT_19 => X"0000000000000000000000000000000000000000000000000000000000000000",
INIT_1A => X"0000000000000000000000000000000000000000000000000000000000000000",
INIT_1B => X"0000000000000000000000000000000000000000000000000000000000000000",
INIT_1C => X"0000000000000000000000000000000000000000000000000000000000000000",
INIT_1D => X"0000000000000000000000000000000000000000000000000000000000000000",
INIT_1E => X"0000000000000000000000000000000000000000000000000000000000000000",
INIT_1F => X"0000000000000000000000000000000000000000000000000000000000000000",
INIT_20 => X"0000000000000000000000000000000000000000000000000000000000000000",
INIT_21 => X"0000000000000000000000000000000000000000000000000000000000000000",
INIT_22 => X"0000000000000000000000000000000000000000000000000000000000000000",
INIT_23 => X"0000000000000000000000000000000000000000000000000000000000000000",
INIT_24 => X"0000000000000000000000000000000000000000000000000000000000000000",
INIT_25 => X"0000000000000000000000000000000000000000000000000000000000000000",
INIT_26 => X"0000000000000000000000000000000000000000000000000000000000000000",
INIT_27 => X"0000000000000000000000000000000000000000000000000000000000000000",
```



```
INIT_71 => X"0000000000000000000000000000000000000000000000000000000000000000",
INIT_72 => X"0000000000000000000000000000000000000000000000000000000000000000",
INIT_73 => X"0000000000000000000000000000000000000000000000000000000000000000",
INIT_74 => X"0000000000000000000000000000000000000000000000000000000000000000",
INIT_75 => X"0000000000000000000000000000000000000000000000000000000000000000",
INIT_76 => X"0000000000000000000000000000000000000000000000000000000000000000",
INIT_77 => X"0000000000000000000000000000000000000000000000000000000000000000",
INIT_78 => X"0000000000000000000000000000000000000000000000000000000000000000",
INIT_79 => X"0000000000000000000000000000000000000000000000000000000000000000",
INIT_7A => X"0000000000000000000000000000000000000000000000000000000000000000",
INIT_7B => X"0000000000000000000000000000000000000000000000000000000000000000",
INIT_7C => X"0000000000000000000000000000000000000000000000000000000000000000",
INIT_7D => X"0000000000000000000000000000000000000000000000000000000000000000",
INIT_7E => X"0000000000000000000000000000000000000000000000000000000000000000",
INIT_7F => X"0000000000000000000000000000000000000000000000000000000000000000",
-- The next set of INITP_xx are for the parity bits
INITP_00 => X"0000000000000000000000000000000000000000000000000000000000000000",
INITP_01 => X"0000000000000000000000000000000000000000000000000000000000000000",
INITP_02 => X"0000000000000000000000000000000000000000000000000000000000000000",
INITP_03 => X"0000000000000000000000000000000000000000000000000000000000000000",
INITP_04 => X"0000000000000000000000000000000000000000000000000000000000000000",
INITP_05 => X"0000000000000000000000000000000000000000000000000000000000000000",
INITP_06 => X"0000000000000000000000000000000000000000000000000000000000000000",
INITP_07 => X"0000000000000000000000000000000000000000000000000000000000000000",
INITP_08 => X"0000000000000000000000000000000000000000000000000000000000000000",
INITP_09 => X"0000000000000000000000000000000000000000000000000000000000000000",
INITP_0A => X"0000000000000000000000000000000000000000000000000000000000000000",
INITP_0B => X"0000000000000000000000000000000000000000000000000000000000000000",
INITP_0C => X"0000000000000000000000000000000000000000000000000000000000000000",
INITP_0D => X"0000000000000000000000000000000000000000000000000000000000000000",
INITP_0E => X"0000000000000000000000000000000000000000000000000000000000000000",
INITP_0F => X"0000000000000000000000000000000000000000000000000000000000000000",
port map (
  DBITERR => DBITERR, -- 1-bit double bit error status output
  SBITERR => SBITERR, -- 1-bit single bit error status output
  DO => DO, -- 64-bit Data Output
  DOP => DOP, -- 8-bit Parity Output
  ECCPARITY => ECCPARITY, -- 8-bit generated error correction parity
  RDCLK => RDCLK, -- 1-bit read port clock
  RDEN => RDEN, -- 1-bit read port enable
  REGCE => REGCE, -- 1-bit register enable input
  SSR => SSR, -- 1-bit synchronous output set/reset input
  WRCLK => WRCLK, -- 1-bit write port clock
  WREN => WREN, -- 1-bit write port enable
  WRADDR => WRADDR, -- 9-bit write port address input
  RDADDR => RDADDR, -- 9-bit read port address input
  DI => DI, -- 64-bit data input
  DIP => DIP, -- 8-bit parity data input
  WE => WE -- 8-bit write enable input
);

-- End of RAMB36SDP_inst instantiation
```

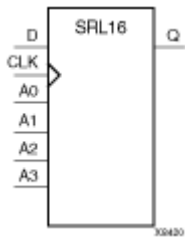
Verilog Instantiation Template

```
// RAMB36SDP: 72x512 Simple Dual-Port BlockRAM /w ECC
// Virtex-5
// Xilinx HDL Libraries Guide, version 10.1.2

RAMB36SDP #(
  .SIM_MODE("SAFE"), // Simulation: "SAFE" vs. "FAST", see "Synthesis and Simulation Design Guide" for details
  .DO_REG(0), // Optional output register (0 or 1)
  .EN_ECC_READ("FALSE"), // Enable ECC decoder, "TRUE" or "FALSE"
  .EN_ECC_WRITE("FALSE"), // Enable ECC encoder, "TRUE" or "FALSE"
  .INIT(72'h00000000000000000000), // Initial values on output port
  .SIM_COLLISION_CHECK("ALL"), // Collision check enable "ALL", "WARNING_ONLY",
  // "GENERATE_X_ONLY" or "NONE"
  .SRVAL(72'h00000000000000000000), // Set/Reset value for port output
```


SRL16

16-Bit Shift Register Look-Up-Table (LUT)



Introduction

This design element is a shift register look-up table (LUT). The inputs A3, A2, A1, and A0 select the output length of the shift register.

The shift register can be of a fixed, static length or it can be dynamically adjusted.

- **To create a fixed-length shift register** - Drive the A3 through A0 inputs with static values. The length of the shift register can vary from 1 bit to 16 bits, as determined by the following formula: $\text{Length} = (8 \times A3) + (4 \times A2) + (2 \times A1) + A0 + 1$. If A3, A2, A1, and A0 are all zeros (0000), the shift register is one bit long. If they are all ones (1111), it is 16 bits long.
- **To change the length of the shift register dynamically** - Change the values driving the A3 through A0 inputs. For example, if A2, A1, and A0 are all ones (111) and A3 toggles between a one (1) and a zero (0), the length of the shift register changes from 16 bits to 8 bits. Internally, the length of the shift register is always 16 bits and the input lines A3 through A0 select which of the 16 bits reach the output.

The shift register LUT contents are initialized by assigning a four-digit hexadecimal number to an INIT attribute. The first, or the left-most, hexadecimal digit is the most significant bit. If an INIT value is not specified, it defaults to a value of four zeros (0000) so that the shift register LUT is cleared during configuration.

The data (D) is loaded into the first bit of the shift register during the Low-to-High clock (CLK) transition. During subsequent Low-to-High clock transitions data shifts to the next highest bit position while new data is loaded. The data appears on the Q output when the shift register length determined by the address inputs is reached.

Logic Table

Inputs			Output
A _m	CLK	D	Q
A _m	X	X	Q(A _m)
A _m	↑	D	Q(A _m - 1)
m = 0, 1, 2, 3			

Design Entry Method

Instantiation	Yes
Inference	Recommended
Coregen and wizards	No
Macro support	No

Available Attributes

Attribute	Type	Allowed Values	Default	Description
INIT	Hexadecimal	Any 16-Bit Value	All zeros	Sets the initial value of Q output after configuration.

VHDL Instantiation Template

Unless they already exist, copy the following two statements and paste them before the entity declaration.

```
Library UNISIM;
use UNISIM.vcomponents.all;

-- SRL16: 16-bit shift register LUT operating on posedge of clock
-- All FPGAs
-- Xilinx HDL Libraries Guide, version 10.1.2

SRL16_inst : SRL16
generic map (
  INIT => X"0000")
port map (
  Q => Q,          -- SRL data output
  A0 => A0,        -- Select[0] input
  A1 => A1,        -- Select[1] input
  A2 => A2,        -- Select[2] input
  A3 => A3,        -- Select[3] input
  CLK => CLK,     -- Clock input
  D => D          -- SRL data input
);

-- End of SRL16_inst instantiation
```

Verilog Instantiation Template

```
// SRL16: 16-bit shift register LUT operating on posedge of clock
// All FPGAs
// Xilinx HDL Libraries Guide, version 10.1.2

SRL16 #(
  .INIT(16'h0000) // Initial Value of Shift Register
) SRL16_inst (
  .Q(Q),          // SRL data output
  .A0(A0),        // Select[0] input
  .A1(A1),        // Select[1] input
  .A2(A2),        // Select[2] input
  .A3(A3),        // Select[3] input
  .CLK(CLK),     // Clock input
  .D(D)          // SRL data input
);

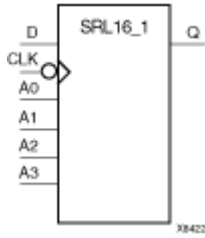
// End of SRL16_inst instantiation
```

For More Information

- See the [Virtex-5 User Guide](#).
- See the [Virtex-5 Data Sheets](#).

SRL16_1

Primitive: 16-Bit Shift Register Look-Up-Table (LUT) with Negative-Edge Clock



Introduction

This design element is a shift register look-up table (LUT). The inputs A3, A2, A1, and A0 select the output length of the shift register.

The shift register can be of a fixed, static length or it can be dynamically adjusted.

- **To create a fixed-length shift register** - Drive the A3 through A0 inputs with static values. The length of the shift register can vary from 1 bit to 16 bits, as determined by the following formula: $Length = (8 \times A3) + (4 \times A2) + (2 \times A1) + A0 + 1$. If A3, A2, A1, and A0 are all zeros (0000), the shift register is one bit long. If they are all ones (1111), it is 16 bits long.
- **To change the length of the shift register dynamically** - Change the values driving the A3 through A0 inputs. For example, if A2, A1, and A0 are all ones (111) and A3 toggles between a one (1) and a zero (0), the length of the shift register changes from 16 bits to 8 bits. Internally, the length of the shift register is always 16 bits and the input lines A3 through A0 select which of the 16 bits reach the output.

The shift register LUT contents are initialized by assigning a four-digit hexadecimal number to an INIT attribute. The first, or the left-most, hexadecimal digit is the most significant bit. If an INIT value is not specified, it defaults to a value of four zeros (0000) so that the shift register LUT is cleared during configuration.

The data (D) is loaded into the first bit of the shift register during the High-to-Low clock (CLK) transition. During subsequent High-to-Low clock transitions data shifts to the next highest bit position as new data is loaded. The data appears on the Q output when the shift register length determined by the address inputs is reached.

Logic Table

Inputs			Output
A _m	CLK	D	Q
A _m	X	X	Q(A _m)
A _m	↓	D	Q(A _m - 1)
m= 0, 1, 2, 3			

Design Entry Method

Instantiation	Yes
Inference	Recommended
Coregen and wizards	No
Macro support	No

Available Attributes

Attribute	Type	Allowed Values	Default	Description
INIT	Hexadecimal	Any 16-Bit Value	All zeros	Sets the initial value of Q output after configuration

VHDL Instantiation Template

Unless they already exist, copy the following two statements and paste them before the entity declaration.

```
Library UNISIM;
use UNISIM.vcomponents.all;

-- SRL16_1: 16-bit shift register LUT operating on negedge of clock
--           All FPGAs
-- Xilinx HDL Libraries Guide, version 10.1.2

SRL16_1_inst : SRL16_1
generic map (
  INIT => X"0000")
port map (
  Q => Q,          -- SRL data output
  A0 => A0,        -- Select[0] input
  A1 => A1,        -- Select[1] input
  A2 => A2,        -- Select[2] input
  A3 => A3,        -- Select[3] input
  CLK => CLK,      -- Clock input
  D => D           -- SRL data input
);

-- End of SRL16_1_inst instantiation
```

Verilog Instantiation Template

```
// SRL16_1: 16-bit shift register LUT operating on negedge of clock
//           All FPGAs
// Xilinx HDL Libraries Guide, version 10.1.2

SRL16_1 #(
  .INIT(16'h0000) // Initial Value of Shift Register
) SRL16_1_inst (
  .Q(Q),          // SRL data output
  .A0(A0),        // Select[0] input
  .A1(A1),        // Select[1] input
  .A2(A2),        // Select[2] input
  .A3(A3),        // Select[3] input
  .CLK(CLK),      // Clock input
  .D(D)           // SRL data input
);

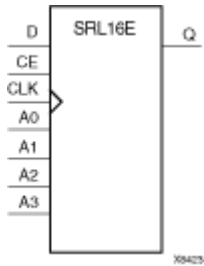
// End of SRL16_1_inst instantiation
```

For More Information

- See the [Virtex-5 User Guide](#).
- See the [Virtex-5 Data Sheets](#).

SRL16E

Primitive: 16-Bit Shift Register Look-Up-Table (LUT) with Clock Enable



Introduction

This design element is a shift register look-up table (LUT). The inputs A3, A2, A1, and A0 select the output length of the shift register.

The shift register can be of a fixed, static length or it can be dynamically adjusted.

- To create a fixed-length shift register** - Drive the A3 through A0 inputs with static values. The length of the shift register can vary from 1 bit to 16 bits, as determined by the following formula: $\text{Length} = (8 \times A3) + (4 \times A2) + (2 \times A1) + A0 + 1$. If A3, A2, A1, and A0 are all zeros (0000), the shift register is one bit long. If they are all ones (1111), it is 16 bits long.
- To change the length of the shift register dynamically** - Change the values driving the A3 through A0 inputs. For example, if A2, A1, and A0 are all ones (111) and A3 toggles between a one (1) and a zero (0), the length of the shift register changes from 16 bits to 8 bits. Internally, the length of the shift register is always 16 bits and the input lines A3 through A0 select which of the 16 bits reach the output.

The shift register LUT contents are initialized by assigning a four-digit hexadecimal number to an INIT attribute. The first, or the left-most, hexadecimal digit is the most significant bit. If an INIT value is not specified, it defaults to a value of four zeros (0000) so that the shift register LUT is cleared during configuration.

When CE is High, the data (D) is loaded into the first bit of the shift register during the Low-to-High clock (CLK) transition. During subsequent Low-to-High clock transitions, when CE is High, data shifts to the next highest bit position as new data is loaded. The data appears on the Q output when the shift register length determined by the address inputs is reached. When CE is Low, the register ignores clock transitions.

Logic Table

Inputs				Output
A _m	CE	CLK	D	Q
A _m	0	X	X	Q(A _m)
A _m	1	↑	D	Q(A _m - 1)
m= 0, 1, 2, 3				

Design Entry Method

Instantiation	Yes
Inference	Recommended

Coregen and wizards	No
Macro support	No

Available Attributes

Attribute	Type	Allowed Values	Default	Description
INIT	Hexadecimal	Any 16-Bit Value	All zeros	Sets the initial value of content and output of shift register after configuration.

VHDL Instantiation Template

Unless they already exist, copy the following two statements and paste them before the entity declaration.

```
Library UNISIM;
use UNISIM.vcomponents.all;

-- SRL16E: 16-bit shift register LUT with clock enable operating on posedge of clock
--           All FPGAs
-- Xilinx HDL Libraries Guide, version 10.1.2

SRL16E_inst : SRL16E
generic map (
INIT => X"0000")
port map (
Q => Q,           -- SRL data output
A0 => A0,         -- Select[0] input
A1 => A1,         -- Select[1] input
A2 => A2,         -- Select[2] input
A3 => A3,         -- Select[3] input
CE => CE,        -- Clock enable input
CLK => CLK,      -- Clock input
D => D           -- SRL data input
);

-- End of SRL16E_inst instantiation
```

Verilog Instantiation Template

```
// SRL16E: 16-bit shift register LUT with clock enable operating on posedge of clock
//           All FPGAs
// Xilinx HDL Libraries Guide, version 10.1.2

SRL16E #(
.INIT(16'h0000) // Initial Value of Shift Register
) SRL16E_inst (
.Q(Q),         // SRL data output
.A0(A0),      // Select[0] input
.A1(A1),      // Select[1] input
.A2(A2),      // Select[2] input
.A3(A3),      // Select[3] input
.CE(CE),      // Clock enable input
.CLK(CLK),    // Clock input
.D(D)         // SRL data input
);

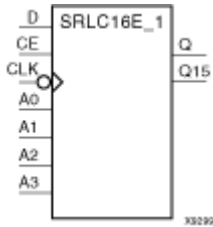
// End of SRL16E_inst instantiation
```

For More Information

- See the [Virtex-5 User Guide](#).
- See the [Virtex-5 Data Sheets](#).

SRL16E_1

Primitive: 16-Bit Shift Register Look-Up-Table (LUT) with Negative-Edge Clock and Clock Enable



Introduction

This design element is a shift register look up table (LUT) with clock enable (CE). The inputs A3, A2, A1, and A0 select the output length of the shift register.

The shift register can be of a fixed, static length or it can be dynamically adjusted.

- **To create a fixed-length shift register** - Drive the A3 through A0 inputs with static values. The length of the shift register can vary from 1 bit to 16 bits, as determined by the following formula: $\text{Length} = (8 \times A3) + (4 \times A2) + (2 \times A1) + A0 + 1$. If A3, A2, A1, and A0 are all zeros (0000), the shift register is one bit long. If they are all ones (1111), it is 16 bits long.
- **To change the length of the shift register dynamically** - Change the values driving the A3 through A0 inputs. For example, if A2, A1, and A0 are all ones (111) and A3 toggles between a one (1) and a zero (0), the length of the shift register changes from 16 bits to 8 bits. Internally, the length of the shift register is always 16 bits and the input lines A3 through A0 select which of the 16 bits reach the output.

The shift register LUT contents are initialized by assigning a four-digit hexadecimal number to an INIT attribute. The first, or the left-most, hexadecimal digit is the most significant bit. If an INIT value is not specified, it defaults to a value of four zeros (0000) so that the shift register LUT is cleared during configuration.

When CE is High, the data (D) is loaded into the first bit of the shift register during the High-to-Low clock (CLK) transition. During subsequent High-to-Low clock transitions, when CE is High, data is shifted to the next highest bit position as new data is loaded. The data appears on the Q output when the shift register length determined by the address inputs is reached. When CE is Low, the register ignores clock transitions.

Logic Table

Inputs				Output
A _m	CE	CLK	D	Q
A _m	0	X	X	Q(A _m)
A _m	1	↓	D	Q(A _m - 1)

m= 0, 1, 2, 3

Design Entry Method

Instantiation	Yes
Inference	Recommended

Coregen and wizards	No
Macro support	No

Available Attributes

Attribute	Type	Allowed Values	Default	Description
INIT	Hexadecimal	Any 16-Bit Value	All zeros	Sets the initial value of content and output of shift register after configuration.

VHDL Instantiation Template

Unless they already exist, copy the following two statements and paste them before the entity declaration.

```

Library UNISIM;
use UNISIM.vcomponents.all;

-- SRL16E_1: 16-bit shift register LUT with clock enable operating on negedge of clock
-- All FPGAs
-- Xilinx HDL Libraries Guide, version 10.1.2

SRL16E_1_inst : SRL16E_1
generic map (
  INIT => X"0000"
)
port map (
  Q => Q,      -- SRL data output
  A0 => A0,    -- Select[0] input
  A1 => A1,    -- Select[1] input
  A2 => A2,    -- Select[2] input
  A3 => A3,    -- Select[3] input
  CE => CE,    -- Clock enable input
  CLK => CLK,  -- Clock input
  D => D       -- SRL data input
);

-- End of SRL16E_1_inst instantiation
    
```

Verilog Instantiation Template

```

// SRL16E_1: 16-bit shift register LUT with clock enable operating on negedge of clock
// All FPGAs
// Xilinx HDL Libraries Guide, version 10.1.2

SRL16E_1 #(
  .INIT(16'h0000) // Initial Value of Shift Register
) SRL16E_1_inst (
  .Q(Q),          // SRL data output
  .A0(A0),       // Select[0] input
  .A1(A1),       // Select[1] input
  .A2(A2),       // Select[2] input
  .A3(A3),       // Select[3] input
  .CE(CE),       // Clock enable input
  .CLK(CLK),     // Clock input
  .D(D)          // SRL data input
);

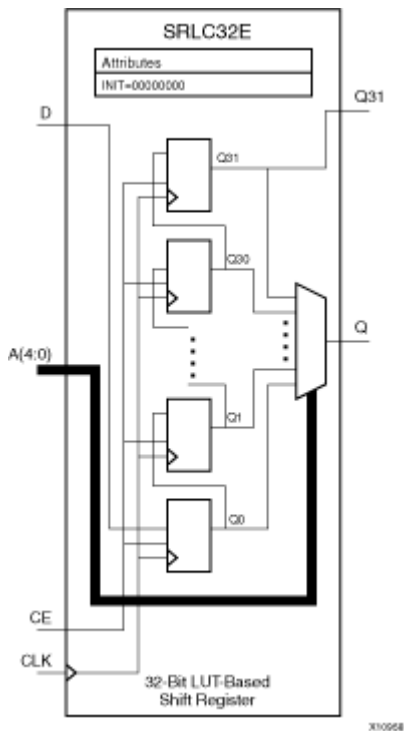
// End of SRL16E_1_inst instantiation
    
```

For More Information

- See the [Virtex-5 User Guide](#).
- See the [Virtex-5 Data Sheets](#).

SRLC32E

Primitive: 32 Clock Cycle, Variable Length Shift Register Look-Up Table (LUT) with Clock Enable



Introduction

This circuit design element is a variable length, 1 to 32 clock cycle shift register implemented within a single Virtex-5 Look-Up Table. The shift register can be of a fixed length, static length, or it can be dynamically adjusted by changing the address lines to the component. This element also features an active, high-clock enable and a cascading feature in which multiple SRLC32Es can be cascaded in order to create greater shift lengths.

Port Descriptions

Port	Direction	Width	Function
Q	Output	1	Shift register data output
Q31	Output	1	Shift register cascaded output (connect to the D input of a subsequent SRLC32E)
D	Input	1	Shift register data input
CLK	Input	1	Clock
CE	Input	1	Active high clock enable
A	Input	5	Dynamic depth selection of the SRL A=00000 ==> 1-bit shift length A=11111 ==> 32-bit shift length

Design Entry Method

Instantiation	Yes
Inference	Recommended
Coregen and wizards	No
Macro support	No

If instantiated, the following connections should be made to this component:

- Connect the CLK input to the desired clock source, the D input to the data source to be shifted/stored and the Q output to either an FDCPE or an FDRSE input or other appropriate data destination.
- The CE clock enable pin can be connected to a clock enable signal in the design or else tied to a logic one if not used.
- The 5-bit A bus can either be tied to a static value between 0 and 31 to signify a fixed 1 to 32 bit static shift length, or else it can be tied to the appropriate logic to enable a varying shift depth anywhere between 1 and 32 bits.
- If you want to create a longer shift length than 32, connect the Q31 output pin to the D input pin of a subsequent SRLC32E to cascade and create larger shift registers.
- It is not valid to connect the Q31 output to anything other than another SRLC32E.
- The selectable Q output is still available in the cascaded mode, if needed.
- An optional INIT attribute consisting of a 32-bit Hexadecimal value can be specified to indicate the initial shift pattern of the shift register.
- (INIT[0] will be the first value shifted out.)

Available Attributes

Attribute	Type	Allowed Values	Default	Description
INIT	Hexadecimal	Any 32-Bit Value	All zeros	Specifies the initial shift pattern of the SRLC32E.

VHDL Instantiation Template

Unless they already exist, copy the following two statements and paste them before the entity declaration.

```
Library UNISIM;
use UNISIM.vcomponents.all;

-- SRLC32E: 32-bit variable length shift register LUT
--       with clock enable
--       Virtex-5
-- Xilinx HDL Libraries Guide, version 10.1.2

SRLC32E_inst : SRLC32E
generic map (
  INIT => X"00000000")
port map (
  Q => Q,           -- SRL data output
  Q31 => Q31,       -- SRL cascade output pin
  A => A,           -- 5-bit shift depth select input
  CE => CE,         -- Clock enable input
  CLK => CLK,       -- Clock input
  D => D            -- SRL data input
);

-- End of SRLC32E_inst instantiation
```

Verilog Instantiation Template

```
// SRLC32E: 32-bit variable length shift register LUT
//           with clock enable
//           Virtex-5
// Xilinx HDL Libraries Guide, version 10.1.2

SRLC32E #(
  .INIT(32'h00000000) // Initial Value of Shift Register
) SRLC32E_inst (
  .Q(Q),           // SRL data output
  .Q31(Q31),      // SRL cascade output pin
  .A(A),          // 5-bit shift depth select input
  .CE(CE),        // Clock enable input
  .CLK(CLK),      // Clock input
  .D(D)           // SRL data input
);

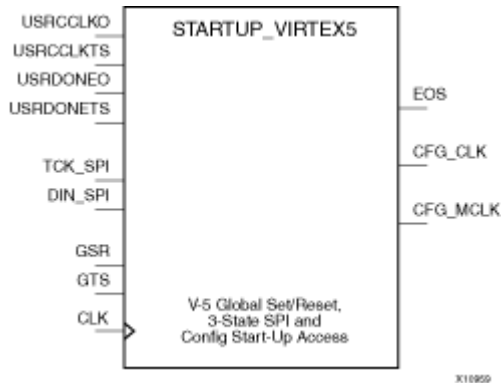
// End of SRLC32E_inst instantiation
```

For More Information

- See the [Virtex-5 User Guide](#).
- See the [Virtex-5 Data Sheets](#).

STARTUP_VIRTEX5

Primitive: Virtex-5 Configuration Start-Up Sequence Interface



Introduction

This design element is used to interface device pins and logic to the global asynchronous set/reset (GSR) signal, the global 3-state (GTS) dedicated routing, the internal configuration signals, or the input pins for the SPI PROM if an SPI PROM is used to configure the device. This primitive can also be used to specify a different clock for the device startup sequence at the end of configuring the device, and to access the configuration clock to the internal logic.

Port Descriptions

Port	Direction	Width	Function
EOS	Output	1	Active high signal indicates the End Of Configuration.
CFGCLK	Output	1	Configuration main clock output
CFGMCLK	Output	1	Configuration internal oscillator clock output
USRCCLKO	Input	1	Internal user CCLK
USRCCLKTS	Input	1	Internal user CCLK 3-state enable
USRDONEO	Input	1	Internal user DONE pin output control
USRDONETS	Input	1	User DONE 3-state enable
TCK_SPI	Output	1	Internal access to the TCK configuration pin when using SPI PROM configuration
DIN_SPI	Output	1	Internal access to the DIN configuration pin when using SPI PROM configuration
GSR	Input	1	Active high Global Set/Reset signal
GTS	Input	1	Active high Global 3-State signal
CLK	Input	1	User start-up clock

Design Entry Method

Instantiation	Recommended
Inference	No
Coregen and wizards	No
Macro support	No

If the dedicated global 3-state is to be used, connect the appropriate sourcing pin or logic to the GTS input pin of the primitive. In order to specify a clock for the startup sequence of configuration, connect a clock from the design to the CLK pin of this design element. CFGMCLK and CFGCLK allow access to the internal configuration clocks, while EOS signals the end of the configuration startup sequence.

If you are configuring the device using a SPI PROM, and access to the SPI PROM is necessary after configuration, use the TCK_SPI and DIN_SPI pins of the component to gain access to the otherwise dedicated configuration input pins.

VHDL Instantiation Template

Unless they already exist, copy the following two statements and paste them before the entity declaration.

```
Library UNISIM;
use UNISIM.vcomponents.all;

-- STARTUP_VIRTEX5: Startup primitive for GSR, GTS or startup sequence control,
--                   SPI PROM pins, configuration clock and start-up status
--                   Virtex-5
-- Xilinx HDL Libraries Guide, version 10.1.2

STARTUP_VIRTEX5_inst : STARTUP_VIRTEX5
port map (
CFGCLK => CFGCLK, -- Config logic clock 1-bit output
CFGMCLK => CFGMCLK, -- Config internal osc clock 1-bit output
DINSPI => DINSPI, -- DIN SPI PROM access 1-bit output
EOS => EOS, -- End of Startup 1-bit output
TCKSPI => TCKSPI, -- TCK SPI PROM access 1-bit output
CLK => CLK, -- Clock input for start-up sequence
GSR => GSR_PORT, -- Global Set/Reset input (GSR cannot be used for the port name)
GTS => GTS_PORT, -- Global 3-state input (GTS cannot be used for the port name)
USRCCLKO => USRCCLKO, -- User CCLK 1-bit input
USRCCLKTS => USRCCLKTS, -- User CCLK 3-state, 1-bit input
USRDONEO => USRDONEO, -- User Done 1-bit input
USRDONETS => USRDONETS -- User Done 3-state, 1-bit input
);

-- End of STARTUP_VIRTEX5_inst instantiation
```

Verilog Instantiation Template

```
// STARTUP_VIRTEX5: Startup primitive for accessing GSR, GTS, startup sequence
//                   control, SPI PROM pins, configuration clock and start-up status
//                   Virtex-5
// Xilinx HDL Libraries Guide, version 10.1.2

STARTUP_VIRTEX5 STARTUP_VIRTEX5_inst (
.CFGCLK(CFGCLK), // Config logic clock 1-bit output
.CFGMCLK(CFGMCLK), // Config internal osc clock 1-bit output
.DINSPI(DINSPI), // DIN SPI PROM access 1-bit output
.EOS(EOS), // End Of Startup 1-bit output
.TCKSPI(TCKSPI), // TCK SPI PROM access 1-bit output
.CLK(CLK), // Clock input for start-up sequence
.GSR(GSR_PORT), // Global Set/Reset input (GSR can not be used as a port name)
.GTS(GTS_PORT), // Global 3-state input (GTS can not be used as a port name)
```

```
.USRCLKO(USRCLKO), // User CLK 1-bit input
.USRCLKTS(USRCLKTS), // User CLK 3-state 1-bit input
.USRDONEO(USRDONEO), // User Done 1-bit input
.USRDONETS(USRDONETS) // User Done 3-state 1-bit input
);

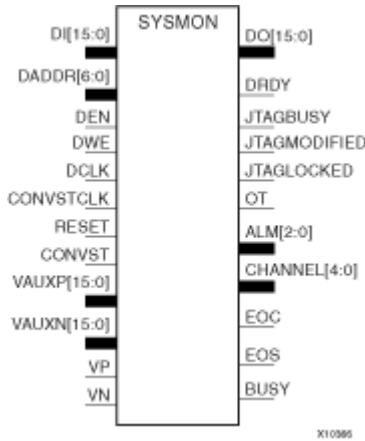
// End of STARTUP_VIRTEX5_inst instantiation
```

For More Information

- See the [Virtex-5 User Guide](#).
- See the [Virtex-5 Data Sheets](#).

SYSMON

Primitive: System Monitor



Introduction

This design element is built around a 10-bit, 200-kSPS (kilosamples per second) Analog-to-Digital Converter (ADC). When combined with a number of on-chip sensors, the ADC is used to measure FPGA physical operating parameters, including on-chip power supply voltages and die temperatures. Access to external voltages is provided through a dedicated analog-input pair (VP/VN) and 16 user-selectable analog inputs, known as auxiliary analog inputs (VAUXP[15:0], VAUXN[15:0]). The external analog inputs allow the ADC to monitor the physical environment of the board or enclosure.

Design Entry Method

Instantiation	Yes
Inference	Recommended
Coregen and wizards	No
Macro support	No

Connect all desired input and output ports and set the appropriate attributes for the desired behavior of this component. For simulation, a text file needs to be prepared in order to convey the analog and temperature to the model. The format for the file is as follows:

```
// Must use valid headers on all columns
// Comments can be added to the stimulus file using '///'
TIME TEMP VCCAUX VCCINT VP VN VAUXP[0] VAUXN[0]
00000 45 2.5 1.0 0.5 0.0 0.7 0.0
05000 85 2.45 1.1 0.3 0.0 0.2 0.0
// Time stamp data is in nano seconds (ns)
// Temperature is recorded in °C (degrees centigrade)
// All other channels are recorded as V (Volts)
// Valid column headers are:
// TIME, TEMP, VCCAUX, VCCINT, VP, VN,
// VAUXP[0], VAUXN[0],.....VAUXP[15], VAUXN[15]
// External analog inputs are differential so VP = 0.5 and VN = 0.0 the
// input on channel VP/VN is 0.5 - 0.0 = 0.5V
```

VHDL Instantiation Template

Unless they already exist, copy the following two statements and paste them before the entity declaration.

```

Library UNISIM;
use UNISIM.vcomponents.all;

-- SYSMON: System Monitor
-- Virtex-5
-- Xilinx HDL Libraries Guide, version 10.1.2

SYSMON_inst : SYSMON
generic map (
INIT_40 => X"0000", -- Configuration register 0
INIT_41 => X"0000", -- Configuration register 1
INIT_42 => X"0000", -- Configuration register 2
INIT_43 => X"0000", -- Test register 0
INIT_44 => X"0000", -- Test register 1
INIT_45 => X"0000", -- Test register 2
INIT_46 => X"0000", -- Test register 3
INIT_47 => X"0000", -- Test register 4
INIT_48 => X"0000", -- Sequence register 0
INIT_49 => X"0000", -- Sequence register 1
INIT_4A => X"0000", -- Sequence register 2
INIT_4B => X"0000", -- Sequence register 3
INIT_4C => X"0000", -- Sequence register 4
INIT_4D => X"0000", -- Sequence register 5
INIT_4E => X"0000", -- Sequence register 6
INIT_4F => X"0000", -- Sequence register 7
INIT_50 => X"0000", -- Alarm limit register 0
INIT_51 => X"0000", -- Alarm limit register 1
INIT_52 => X"0000", -- Alarm limit register 2
INIT_53 => X"0000", -- Alarm limit register 3
INIT_54 => X"0000", -- Alarm limit register 4
INIT_55 => X"0000", -- Alarm limit register 5
INIT_56 => X"0000", -- Alarm limit register 6
INIT_57 => X"0000", -- Alarm limit register 7
SIM_MONITOR_FILE => "design.txt") -- Simulation analog entry file
port map (
ALM => ALM, -- 3-bit output for temp, Vccint and Vccaux
BUSY => BUSY, -- 1-bit output ADC busy signal
CHANNEL => CHANNEL, -- 5-bit output channel selection
DO => DO, -- 16-bit output data bus for dynamic reconfig
DRDY => DRDY, -- 1-bit output data ready for dynamic reconfig
EOC => EOC, -- 1-bit output end of conversion
EOS => EOS, -- 1-bit output end of sequence
JTAGBUSY => JTAGBUSY, -- 1-bit output JTAG DRP busy
JTAGLOCKED => JTAGLOCKED, -- 1-bit output DRP port lock
JTAGMODIFIED => JTAGMODIFIED, -- 1-bit output JTAG write to DRP
OT => OT, -- 1-bit output over temperature alarm
CONVST => CONVST, -- 1-bit input convert start
CONVSTCLK => CONVSTCLK, -- 1-bit input convert start clock
DADDR => DADDR, -- 7-bit input address bus for dynamic reconfig
DCLK => DCLK, -- 1-bit input clock for dynamic reconfig
DEN => DEN, -- 1-bit input enable for dynamic reconfig
DI => DI, -- 16-bit input data bus for dynamic reconfig
DWE => DWE, -- 1-bit input write enable for dynamic reconfig
RESET => RESET, -- 1-bit input active high reset
VAUXN => VAUXN, -- 16-bit input N-side auxiliary analog input
VAUXP => VAUXP, -- 16-bit input P-side auxiliary analog input
VN => VN, -- 1-bit input N-side analog input
VP => VP) -- 1-bit input P-side analog input
);

-- End of SYSMON_inst instantiation

```

Verilog Instantiation Template

```

// SYSMON: System Monitor
// Virtex-5

```

```
// Xilinx HDL Libraries Guide, version 10.1.2

SYSMON #(
.INIT_40(16'h0), // Configuration register 0
.INIT_41(16'h0), // Configuration register 1
.INIT_42(16'h0), // Configuration register 2
.INIT_43(16'h0), // Test register 0
.INIT_44(16'h0), // Test register 1
.INIT_45(16'h0), // Test register 2
.INIT_46(16'h0), // Test register 3
.INIT_47(16'h0), // Test register 4
.INIT_48(16'h0), // Sequence register 0
.INIT_49(16'h0), // Sequence register 1
.INIT_4A(16'h0), // Sequence register 2
.INIT_4B(16'h0), // Sequence register 3
.INIT_4C(16'h0), // Sequence register 4
.INIT_4D(16'h0), // Sequence register 5
.INIT_4E(16'h0), // Sequence register 6
.INIT_4F(16'h0), // Sequence register 7
.INIT_50(16'h0), // Alarm limit register 0
.INIT_51(16'h0), // Alarm limit register 1
.INIT_52(16'h0), // Alarm limit register 2
.INIT_53(16'h0), // Alarm limit register 3
.INIT_54(16'h0), // Alarm limit register 4
.INIT_55(16'h0), // Alarm limit register 5
.INIT_56(16'h0), // Alarm limit register 6
.INIT_57(16'h0), // Alarm limit register 7
.SIM_MONITOR_FILE("design.txt") // Simulation analog entry file
) SYSMON_inst (
.ALM(ALM), // 3-bit output for temp, Vccint and Vccaux
.BUSY(BUSY), // 1-bit output ADC busy signal
.CHANNEL(CHANNEL), // 5-bit output channel selection
.DO(DO), // 16-bit output data bus for dynamic reconfig
.DRDY(DRDY), // 1-bit output data ready for dynamic reconfig
.EOC(EOC), // 1-bit output end of conversion
.EOS(EOS), // 1-bit output end of sequence
.JTAGBUSY(JTAGBUSY), // 1-bit output JTAG DRP busy
.JTAGLOCKED(JTAGLOCKED), // 1-bit output DRP port lock
.JTAGMODIFIED(JTAGMODIFIED), // 1-bit output JTAG write to DRP
.OT(OT), // 1-bit output over temperature alarm
.CONVST(CONVST), // 1-bit input convert start
.CONVSTCLK(CONVSTCLK), // 1-bit input convert start clock
.DADDR(DADDR), // 7-bit input address bus for dynamic reconfig
.DCLK(DCLK), // 1-bit input clock for dynamic reconfig
.DEN(DEN), // 1-bit input enable for dynamic reconfig
.DI(DI), // 16-bit input data bus for dynamic reconfig
.DWE(DWE), // 1-bit input write enable for dynamic reconfig
.RESET(RESET), // 1-bit input active high reset
.VAUXN(VAUXN), // 16-bit input N-side auxiliary analog input
.VAUXP(VAUXP), // 16-bit input P-side auxiliary analog input
.VN(VN), // 1-bit input N-side analog input
.VP(VP) // 1-bit input P-side analog input
);

// End of SYSMON_inst instantiation
```

For More Information

- See the [Virtex-5 User Guide](#).
- See the [Virtex-5 Data Sheets](#).

TEMAC

Primitive: Tri-mode Ethernet Media Access Controller (MAC)

Introduction

This design element contains paired embedded Ethernet MACs that are independently configurable to meet all common Ethernet system connectivity needs.

Design Entry Method

Instantiation	No
Inference	No
Coregen and wizards	Recommended
Macro support	No

For More Information

- See the [Virtex-5 Embedded Tri-Mode Ethernet MAC User Guide](#).
- See the [Virtex-5 Data Sheets](#).
- See the [Virtex-5 User Guide](#).

USR_ACCESS_VIRTEX5

Primitive: Virtex-5 User Access Register



Introduction

This design element enables you to access a 32-bit register within the configuration logic. You will thus be able to read the data from the bitstream. One use case for this component is to allow data stored in bitstream storage source to be accessed by the FPGA design after configuration.

Port Descriptions

Port	Direction	Width	Function
DATA	Output	32	Configuration Output Data
DATAVALID	Output	1	Active high DATA port contains valid data.
CFGCLK	Output	1	Configuration Clock

Design Entry Method

Instantiation	Recommended
Inference	No
Coregen and wizards	No
Macro support	No

VHDL Instantiation Template

Unless they already exist, copy the following two statements and paste them before the entity declaration.

```

Library UNISIM;
use UNISIM.vcomponents.all;

-- USR_ACCESS_VIRTEX5: Configuration Data Memory Access Port
--                               Virtex-5
-- Xilinx HDL Libraries Guide, version 10.1.2

USR_ACCESS_VIRTEX5_inst : USR_ACCESS_VIRTEX5
port map (
CFGCLK => CFGCLK, -- 1-bit configuration clock output
DATA => DATA,    -- 32-bit config data output
DATAVALID => DATAVALID -- 1-bit data valid output
);

-- End of USR_ACCESS_VIRTEX5_inst instantiation
    
```


Verilog Instantiation Template

```
// USR_ACCESS_VIRTEX5: Configuration Data Memory Access Port
//                               Virtex-5
// Xilinx HDL Libraries Guide, version 10.1.2

USR_ACCESS_VIRTEX5 USR_ACCESS_VIRTEX5_inst (
  .CFGCLK(CFGCLK),           // 1-bit configuration clock output
  .DATA(DATA),              // 32-bit config data output
  .DATAVALID(DATAVALID) // 1-bit data valid output
);

// End of USR_ACCESS_VIRTEX5_inst instantiation
```

For More Information

- See the [Virtex-5 User Guide](#).
- See the [Virtex-5 Data Sheets](#).