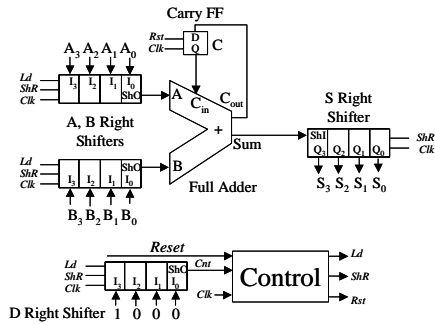
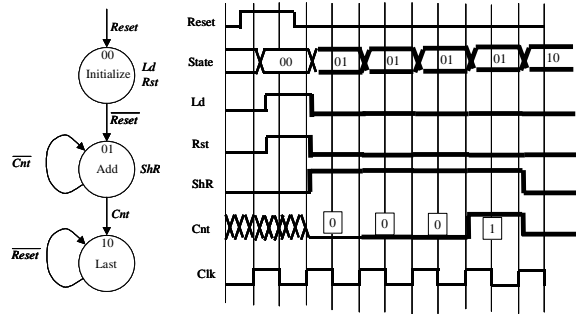


Midterm I - Question 2 Datapath



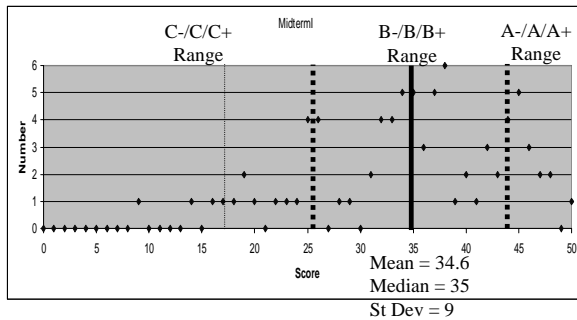
CS 150 - Spring 2004 - Midterm I Question - 1

Midterm I - Question 2 -- Timing



CS 150 - Spring 2004 - Midterm I Question - 2

Scores and General Grading Ranges



CS 150 - Spring 2004 - Midterm I Question - 3

Grading Appeals Policy

- Go to Discussion this week for a comprehensive explanation of correct answers and grading criterion
- We accept written appeals only!
 - We HATE to regrade exams!
 - We have been VERY generous with partial credit
 - We have graded the exams in a CONSISTENT manner
 - We do NOT negotiate on how "close" to correct a given incorrect answer may be
 - Appeals are for genuinely misgraded exams (e.g., we added the points up wrong, we misunderstood your correct answer or your correct approach to the problem, etc.)
- Due by end of lecture March 2, back by March 7

CS 150 - Spring 2004 - Midterm I Question - 4