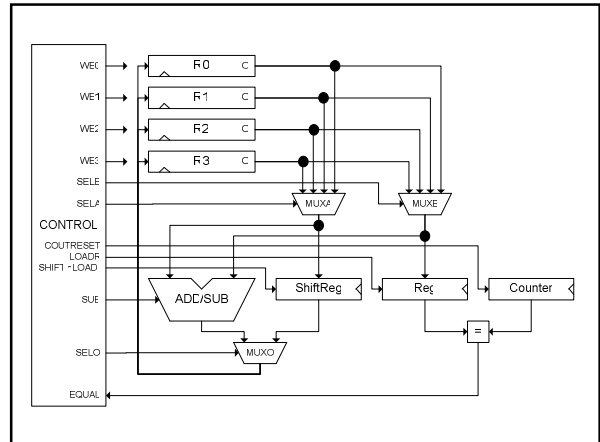


Midterm II Review
3/28/2004

Greg Gibeling



Basic Operations

- What does datapath support?
 - Add
 - Subtract
 - Variable Shift Left
 - Copy (How?)
- You should be able to write RTL for everything this datapath can do!!

Variable Shift

- A Loop Based on a Counter
 - $Val \leftarrow (Val \ll 1)$
 - If (Count != End) then loop
- Write RTL for this
- Write Verilog for this
- Translate RTL \leftrightarrow Verilog

Other Topics

- SDRAM
- State Machines
- General Verilog
- RTL \leftrightarrow Datapath
- High Level Design