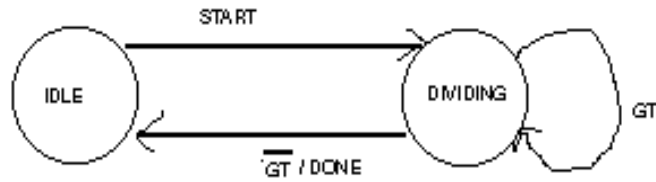
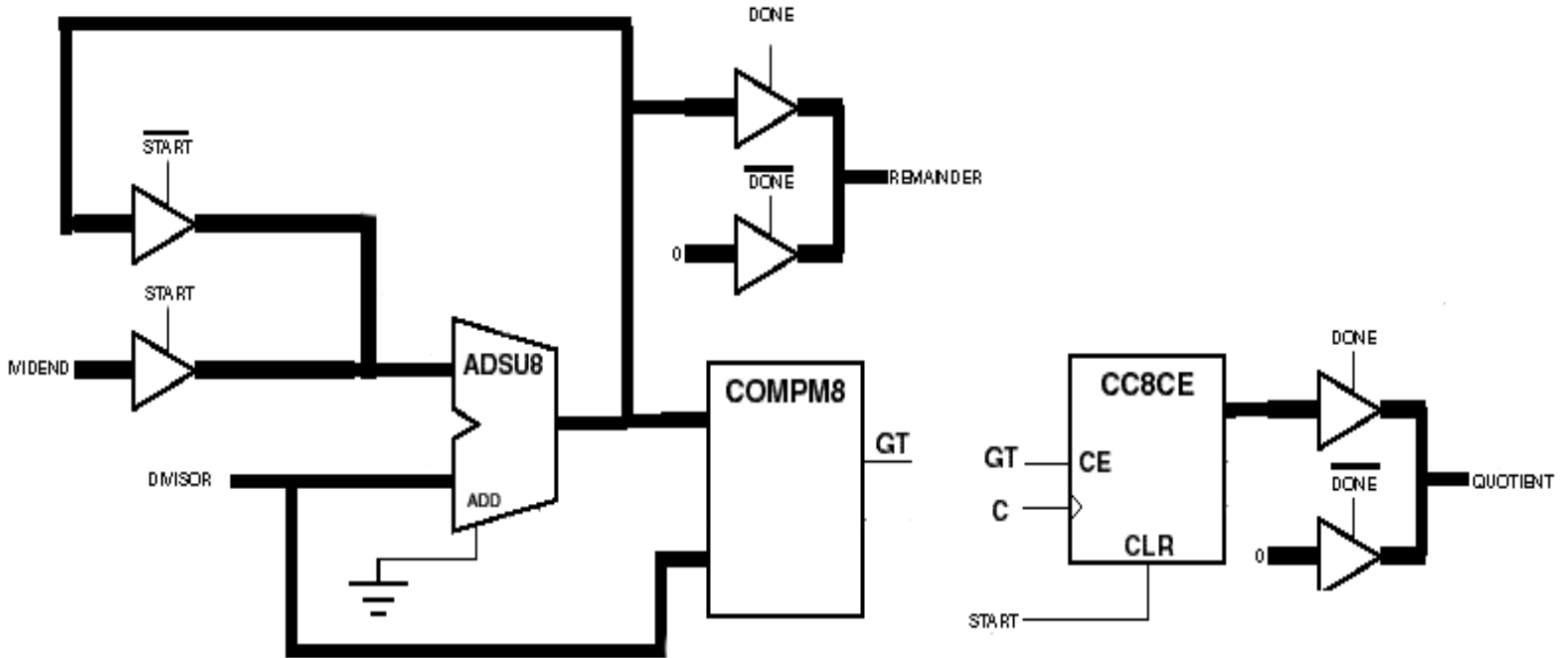


4. CONTROL:

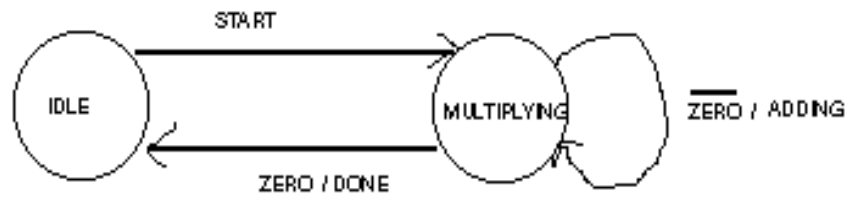


DATAPATH:

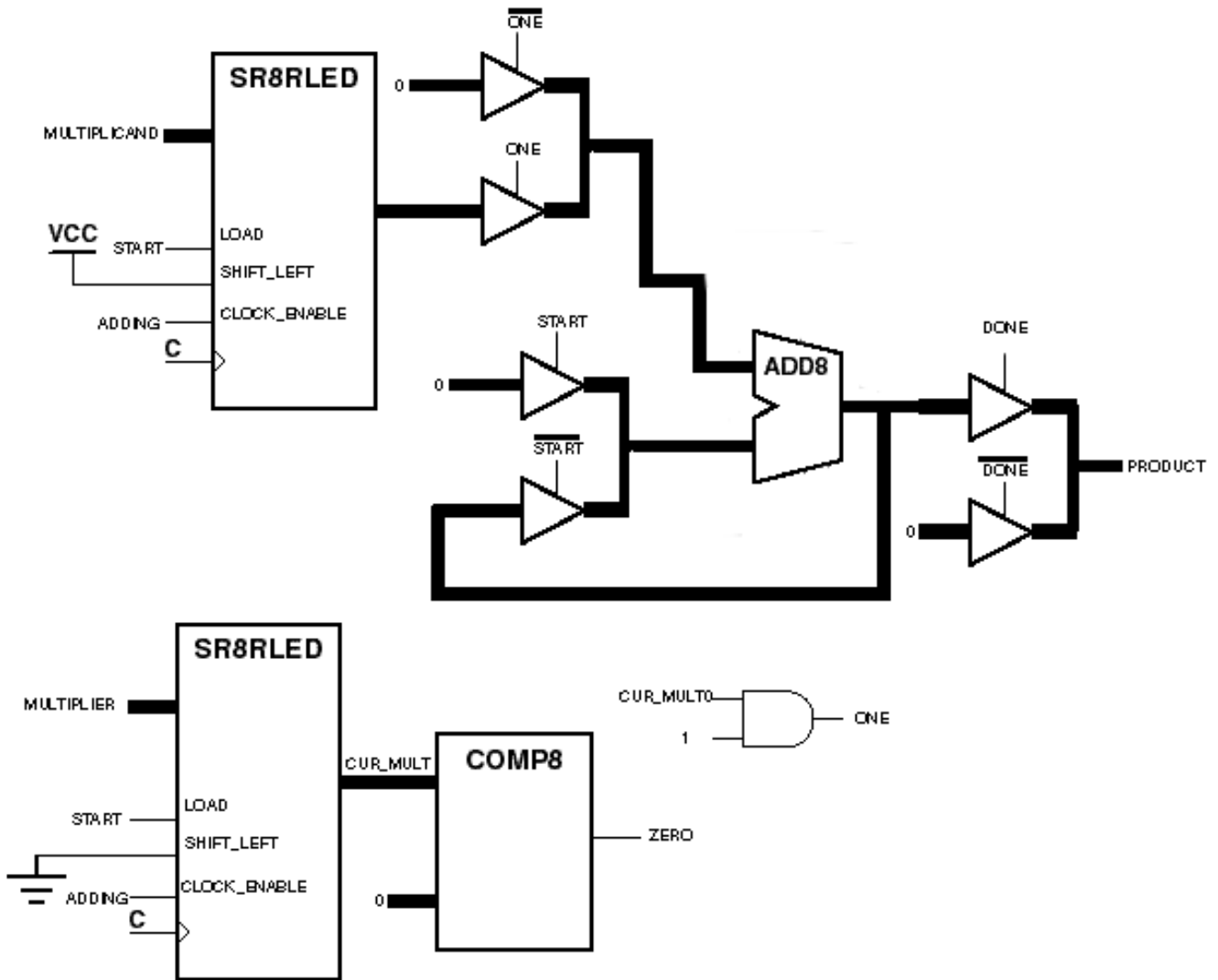


Start is an external input to the system that starts the dividing process. Output is only valid when DONE signal is high.

5. CONTROL:



DATAPATH:



Start is an external input to the system that starts the multiplying process. Output is only valid when DONE signal is high.