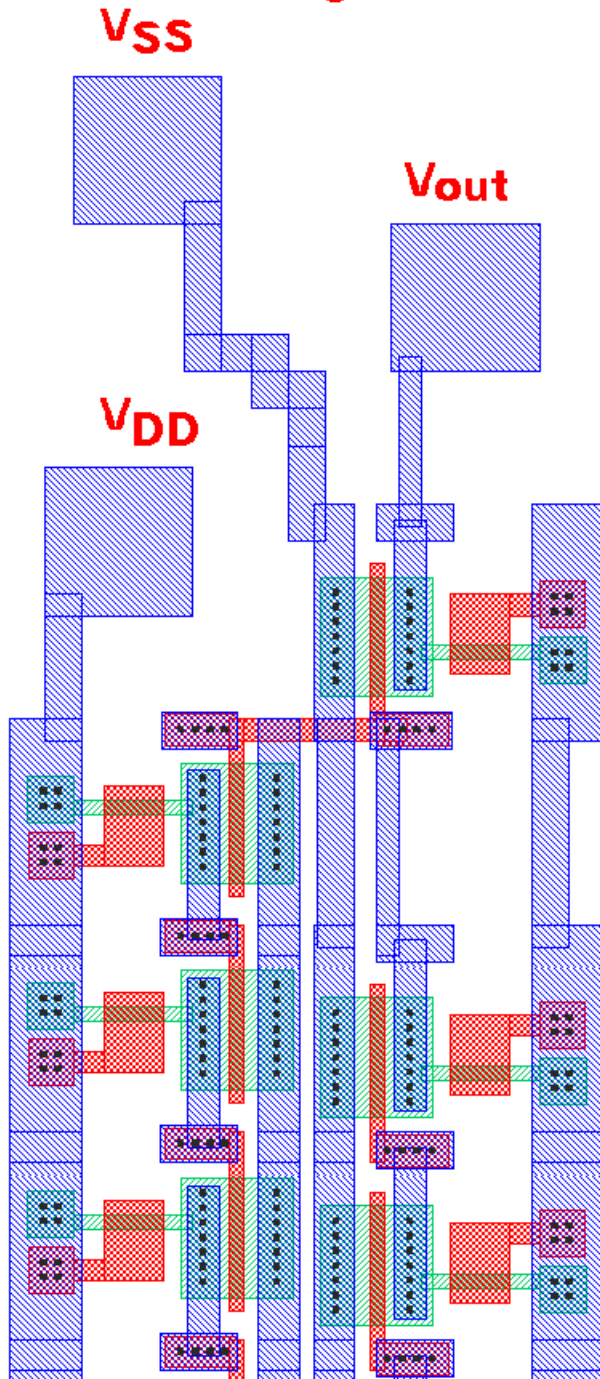


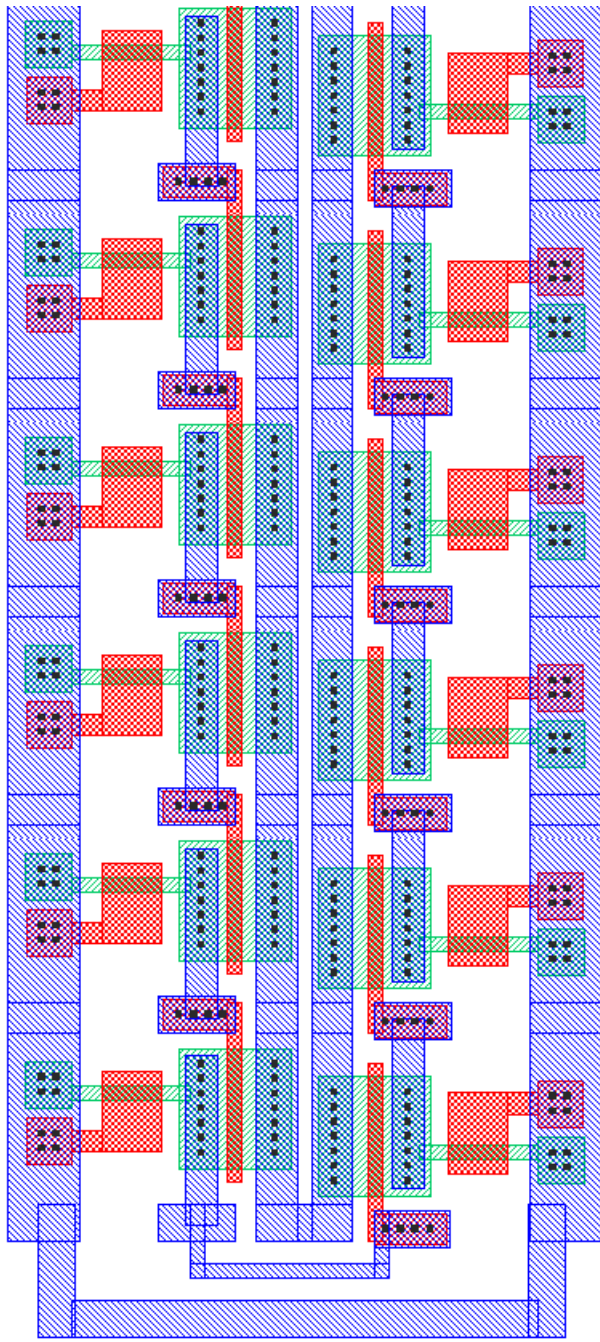
Ring Oscillator





Important Details

- 17 series inverters + buffer (upper-right inverter)
- Load: $W/L = 10/40 \mu\text{m}$ (*changed from 1994 mask*)
- Driver: $W/L = 80/10 \mu\text{m}$

16 Ring Oscillator 17 gates





Masks:  ACTV  POLY  CONT  METL