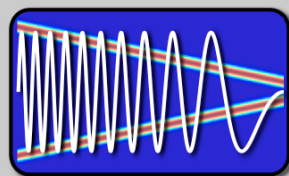


EE123



# Digital Signal Processing

## Lecture 7

based on slides by J.M. Kahn

M. Lustig, EECS UC Berkeley

1

## Announcements

- Notes posted
- HW2 due Friday
- SDR give away Today!
- Read Ch. 9
  
- \$\$\$ give me your names

M. Lustig, EECS UC Berkeley

2

## Last Time

- Discrete Fourier Transform
  - Properties of the DFT
  - Linear convolution with DFT
    - Overlap and add
    - Overlap and save
- Today
  - Fast Fourier Transform

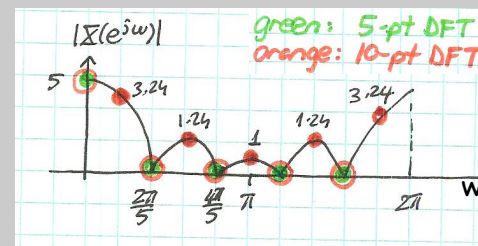
M. Lustig, EECS UC Berkeley

3

## DFT vs DTFT (revisit)

- Back to moving average example:

$$\begin{aligned} X(e^{j\omega}) &= \sum_{n=0}^4 e^{-j\omega n} \\ &= e^{-j2\omega} \frac{\sin(\frac{5}{2}\omega)}{\sin(\frac{\omega}{2})} \end{aligned}$$

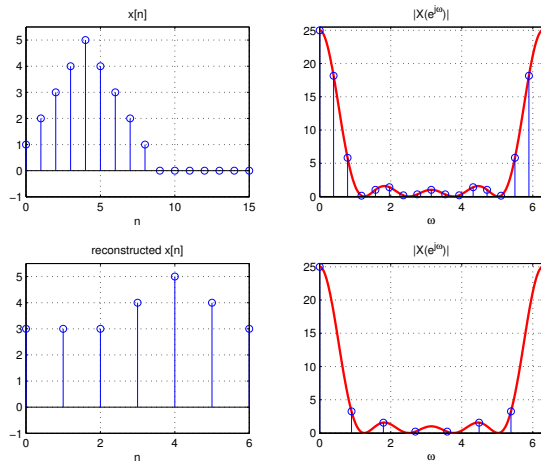


M. Lustig, EECS UC Berkeley

4

## DFT and Sampling the DTFT

$$X(e^{j\omega}) = e^{-j4\omega} \frac{\sin^2(5\omega/2)}{\sin^2(\omega/2)}$$



Miki Lustig UCB. Based on Course Notes by J.M Kahn

Fall 2011, EE123 Digital Signal Processing

5

## Circular Convolution as Matrix Operation

Circular convolution:

$$h[n] \circledast x[n] = \begin{bmatrix} h[0] & h[N-1] & \cdots & h[1] \\ h[1] & h[0] & & h[2] \\ & & \vdots & \\ h[N-1] & h[N-2] & & h[0] \end{bmatrix} \begin{bmatrix} x[0] \\ x[1] \\ \vdots \\ x[N-1] \end{bmatrix} = H_c x$$

- $H_c$  is a circulant matrix
- The columns of the DFT matrix are Eigen vectors of circulant matrices.
- Eigen vectors are DFT coefficients. **How can you show?**

Miki Lustig UCB. Based on Course Notes by J.M Kahn

SP 2014, EE123 Digital Signal Processing

6

## Circular Convolution as Matrix Operation

- Diagonalize:

$$W_N H_c W_N^{-1} = \begin{bmatrix} H[0] & 0 \cdots & 0 \\ 0 & H[1] \cdots & 0 \\ \vdots & 0 & H[N-1] \end{bmatrix}$$

- Right-multiply by  $W_N$

$$W_N H_c = \begin{bmatrix} H[0] & 0 \cdots & 0 \\ 0 & H[1] \cdots & 0 \\ \vdots & 0 & H[N-1] \end{bmatrix} W_N$$

- Multiply both sides by  $x$

$$W_N H_c x = \begin{bmatrix} H[0] & 0 \cdots & 0 \\ 0 & H[1] \cdots & 0 \\ \vdots & 0 & H[N-1] \end{bmatrix} W_N x$$

Miki Lustig UCB. Based on Course Notes by J.M Kahn

SP 2014, EE123 Digital Signal Processing

8

## Fast Fourier Transform Algorithms

- We are interested in efficient computing methods for the DFT and inverse DFT:

$$X[k] = \sum_{n=0}^{N-1} x[n] W_N^{kn}, \quad k = 0, \dots, N-1$$

$$x[n] = \sum_{k=0}^{N-1} X[k] W_N^{-kn}, \quad n = 0, \dots, N-1$$

where

$$W_N = e^{-j\left(\frac{2\pi}{N}\right)}.$$

- Recall that we can use the DFT to compute the inverse DFT:

$$\mathcal{DFT}^{-1}\{X[k]\} = \frac{1}{N} (\mathcal{DFT}\{X^*[k]\})^*$$

Hence, we can just focus on efficient computation of the DFT.

- Straightforward computation of an  $N$ -point DFT (or inverse DFT) requires  $N^2$  complex multiplications.

- Fast Fourier transform algorithms* enable computation of an  $N$ -point DFT (or inverse DFT) with the order of just  $N \cdot \log_2 N$  complex multiplications.

This can represent a huge reduction in computational load, especially for large  $N$ .

$N$	$N^2$	$N \cdot \log_2 N$	$\frac{N^2}{N \cdot \log_2 N}$
16	256	64	4.0
128	16,384	896	18.3
1,024	1,048,576	10,240	102.4
8,192	67,108,864	106,496	630.2
$6 \times 10^6$	$36 \times 10^{12}$	$135 \times 10^6$	$2.67 \times 10^5$

\* 6Mp image size

- Most FFT algorithms exploit the following properties of  $W_N^{kn}$ :

- Conjugate Symmetry

$$W_N^{k(N-n)} = W_N^{-kn} = (W_N^{kn})^*$$

- Periodicity in  $n$  and  $k$ :

$$W_N^{kn} = W_N^{k(n+N)} = W_N^{(k+N)n}$$

- Power:

$$W_N^2 = W_{N/2}$$

## Decimation-in-Time Fast Fourier Transform

- Most FFT algorithms decompose the computation of a DFT into successively smaller DFT computations.
  - *Decimation-in-time* algorithms decompose  $x[n]$  into successively smaller subsequences.
  - *Decimation-in-frequency* algorithms decompose  $X[k]$  into successively smaller subsequences.
- We mostly discuss decimation-in-time algorithms here.

Assume length of  $x[n]$  is power of 2 ( $N = 2^r$ ). If smaller zero-pad to closest power.

- We start with the DFT

$$X[k] = \sum_{n=0}^{N-1} x[n] W_N^{kn}, \quad k = 0, \dots, N-1$$

- Separate the sum into even and odd terms:

$$X[k] = \sum_{n \text{ even}} x[n] W_N^{kn} + \sum_{n \text{ odd}} x[n] W_N^{kn}$$

These are two DFT's, each with half of the samples.

## Decimation-in-Time Fast Fourier Transform

Let  $n = 2r$  ( $n$  even) and  $n = 2r + 1$  ( $n$  odd):

$$\begin{aligned} X[k] &= \sum_{r=0}^{(N/2)-1} x[2r] W_N^{2rk} + \sum_{r=0}^{(N/2)-1} x[2r+1] W_N^{(2r+1)k} \\ &= \sum_{r=0}^{(N/2)-1} x[2r] W_N^{2rk} + W_N^k \sum_{r=0}^{(N/2)-1} x[2r+1] W_N^{2rk} \end{aligned}$$

- Note that:

$$W_N^{2rk} = e^{-j(\frac{2\pi}{N})(2rk)} = e^{-j(\frac{2\pi}{N/2})rk} = W_{N/2}^{rk}$$

Remember this trick, it will turn up often.

## Decimation-in-Time Fast Fourier Transform

- Hence:

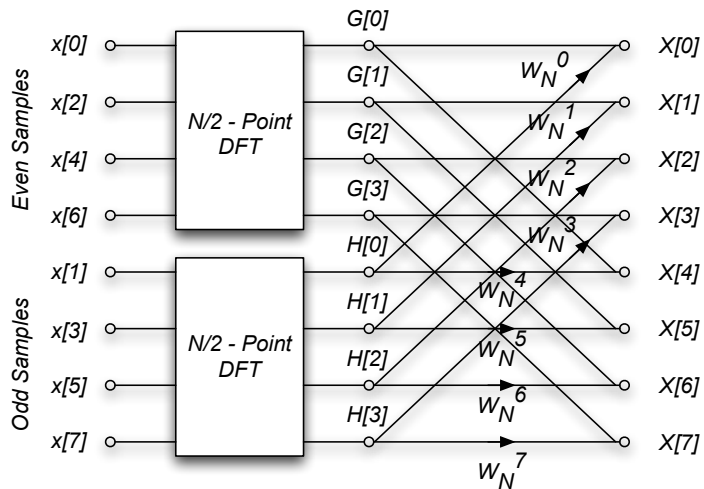
$$\begin{aligned} X[k] &= \sum_{r=0}^{(N/2)-1} x[2r] W_{N/2}^{rk} + W_N^k \sum_{r=0}^{(N/2)-1} x[2r+1] W_{N/2}^{rk} \\ &\triangleq G[k] + W_N^k H[k], \quad k = 0, \dots, N-1 \end{aligned}$$

where we have defined:

$$\begin{aligned} G[k] &\triangleq \sum_{r=0}^{(N/2)-1} x[2r] W_{N/2}^{rk} && \Rightarrow \text{DFT of even idx} \\ H[k] &\triangleq \sum_{r=0}^{(N/2)-1} x[2r+1] W_{N/2}^{rk} && \Rightarrow \text{DFT of odd idx} \end{aligned}$$

## Decimation-in-Time Fast Fourier Transform

An 8 sample DFT can then be diagrammed as



## Decimation-in-Time Fast Fourier Transform

- Both  $G[k]$  and  $H[k]$  are periodic, with period  $N/2$ . For example

$$\begin{aligned}
 G[k + N/2] &= \sum_{r=0}^{(N/2)-1} x[2r] W_{N/2}^{r(k+N/2)} \\
 &= \sum_{r=0}^{(N/2)-1} x[2r] W_{N/2}^{rk} W_{N/2}^{r(N/2)} \\
 &= \sum_{r=0}^{(N/2)-1} x[2r] W_{N/2}^{rk} \\
 &= G[k]
 \end{aligned}$$

so

$$\begin{aligned}
 G[k + (N/2)] &= G[k] \\
 H[k + (N/2)] &= H[k]
 \end{aligned}$$

## Decimation-in-Time Fast Fourier Transform

- The periodicity of  $G[k]$  and  $H[k]$  allows us to further simplify.
- For the first  $N/2$  points we calculate  $G[k]$  and  $W_N^k H[k]$ , and then compute the sum

$$X[k] = G[k] + W_N^k H[k] \quad \forall \{k : 0 \leq k < \frac{N}{2}\}.$$

How does periodicity help for  $\frac{N}{2} \leq k < N$ ?

## Decimation-in-Time Fast Fourier Transform

$$X[k] = G[k] + W_N^k H[k] \quad \forall \{k : 0 \leq k < \frac{N}{2}\}.$$

- for  $\frac{N}{2} \leq k < N$ :

$$W_N^{k+(N/2)} = ?$$

$$X[k + (N/2)] = ?$$

## Decimation-in-Time Fast Fourier Transform

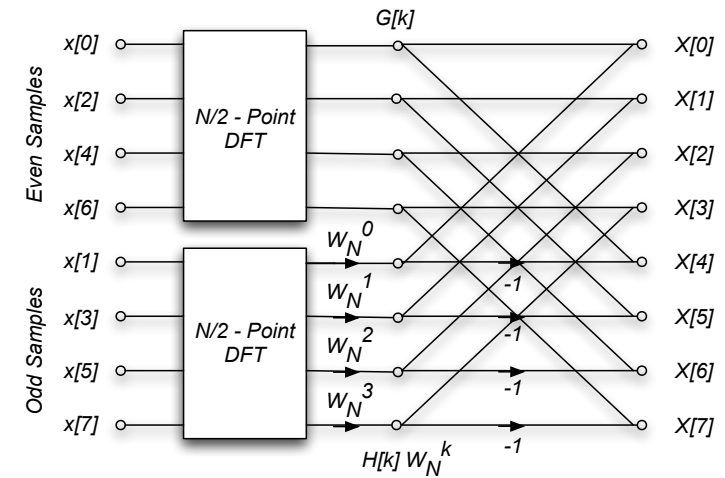
$$X[k + (N/2)] = G[k] - W_N^k H[k]$$

We previously calculated  $G[k]$  and  $W_N^k H[k]$ .

Now we only have to compute their difference to obtain the second half of the spectrum. No additional multiplies are required.

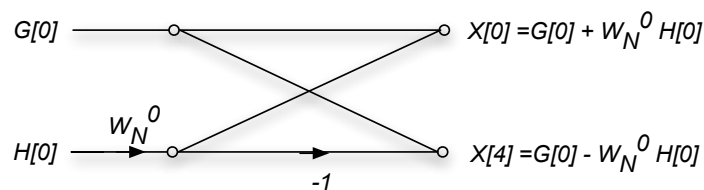
## Decimation-in-Time Fast Fourier Transform

- The  $N$ -point DFT has been reduced two  $N/2$ -point DFTs, plus  $N/2$  complex multiplications. The 8 sample DFT is then:



## Decimation-in-Time Fast Fourier Transform

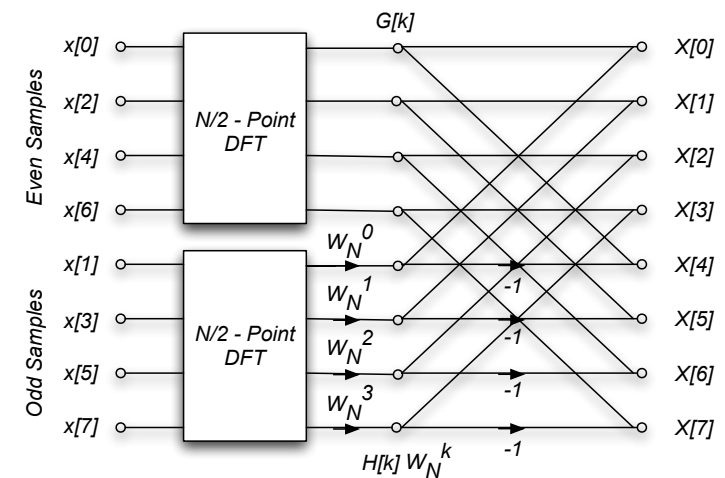
- Note that the inputs have been reordered so that the outputs come out in their proper sequence.
- We can define a *butterfly operation*, e.g., the computation of  $X[0]$  and  $X[4]$  from  $G[0]$  and  $H[0]$ :



This is an important operation in DSP.

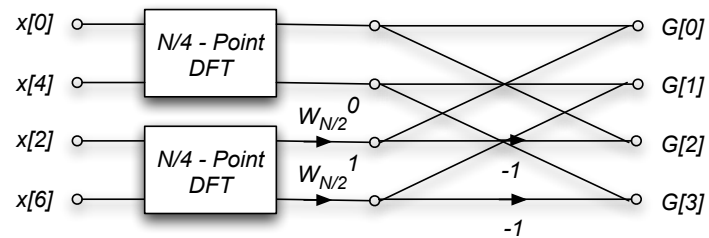
## Decimation-in-Time Fast Fourier Transform

- Still  $O(N^2)$  operations..... What shall we do?



## Decimation-in-Time Fast Fourier Transform

- We can use the same approach for each of the  $N/2$  point DFT's. For the  $N = 8$  case, the  $N/2$  DFTs look like



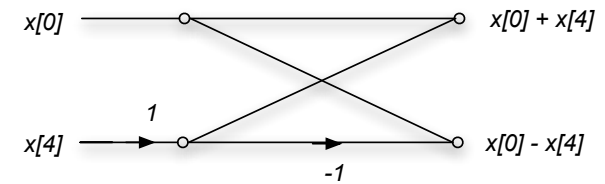
\*Note that the inputs have been reordered again.

## Decimation-in-Time Fast Fourier Transform

- At this point for the 8 sample DFT, we can replace the  $N/4 = 2$  sample DFT's with a single butterfly. The coefficient is

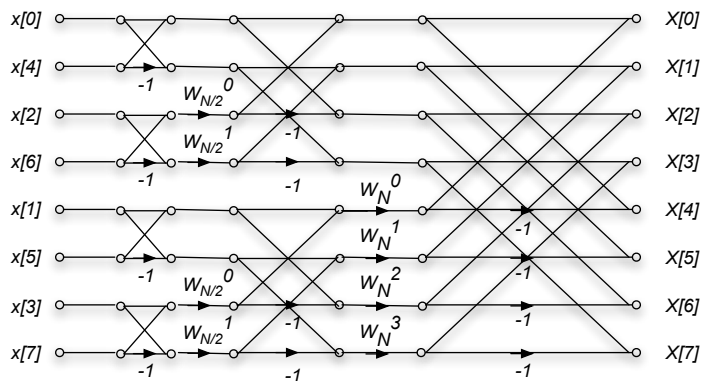
$$W_{N/4} = W_{8/4} = W_2 = e^{-j\pi} = -1$$

The diagram of this stage is then



## Decimation-in-Time Fast Fourier Transform

Combining all these stages, the diagram for the 8 sample DFT is:



This is the decimation-in-time FFT algorithm.

## Decimation-in-Time Fast Fourier Transform

- In general, there are  $\log_2 N$  stages of decimation-in-time.
- Each stage requires  $N/2$  complex multiplications, some of which are trivial.
- The total number of complex multiplications is  $(N/2) \log_2 N$ .
- The order of the input to the decimation-in-time FFT algorithm must be permuted.
  - First stage: split into odd and even. Zero low-order bit first
  - Next stage repeats with next zero-lower bit first.
  - Net effect is reversing the bit order of indexes

## Decimation-in-Time Fast Fourier Transform

This is illustrated in the following table for  $N = 8$ .

Decimal	Binary	Bit-Reversed Binary	Bit-Reversed Decimal
0	000	000	0
1	001	100	4
2	010	010	2
3	011	110	6
4	100	001	1
5	101	101	5
6	110	011	3
7	111	111	7

## Decimation-in-Frequency Fast Fourier Transform

The DFT is

$$X[k] = \sum_{n=0}^{N-1} x[n] W_N^{nk}$$

If we only look at the even samples of  $X[k]$ , we can write  $k = 2r$ ,

$$X[2r] = \sum_{n=0}^{N-1} x[n] W_N^{n(2r)}$$

We split this into two sums, one over the first  $N/2$  samples, and the second of the last  $N/2$  samples.

$$X[2r] = \sum_{n=0}^{(N/2)-1} x[n] W_N^{2rn} + \sum_{n=0}^{(N/2)-1} x[n + N/2] W_N^{2r(n+N/2)}$$

## Decimation-in-Frequency Fast Fourier Transform

But  $W_N^{2r(n+N/2)} = W_N^{2rn} W_N^N = W_N^{2rn} = W_{N/2}^{rn}$ .

We can then write

$$\begin{aligned} X[2r] &= \sum_{n=0}^{(N/2)-1} x[n] W_N^{2rn} + \sum_{n=0}^{(N/2)-1} x[n + N/2] W_N^{2r(n+N/2)} \\ &= \sum_{n=0}^{(N/2)-1} x[n] W_{N/2}^{rn} + \sum_{n=0}^{(N/2)-1} x[n + N/2] W_{N/2}^{rn} \\ &= \sum_{n=0}^{(N/2)-1} (x[n] + x[n + N/2]) W_{N/2}^{rn} \end{aligned}$$

This is the  $N/2$ -length DFT of first and second half of  $x[n]$  summed.

## Decimation-in-Frequency Fast Fourier Transform

$$\begin{aligned} X[2r] &= \text{DFT}_{\frac{N}{2}} \{(x[n] + x[n + N/2])\} \\ X[2r + 1] &= \text{DFT}_{\frac{N}{2}} \{(x[n] - x[n + N/2]) W_N^n\} \end{aligned}$$

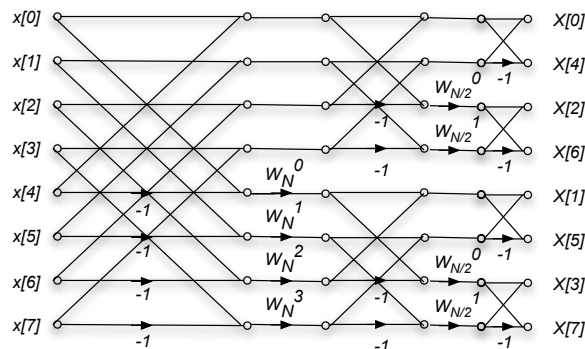
(By a similar argument that gives the odd samples)

Continue the same approach is applied for the  $N/2$  DFTs, and the  $N/4$  DFT's until we reach simple butterflies.



## Decimation-in-Frequency Fast Fourier Transform

The diagram for an 8-point decimation-in-frequency DFT is as follows

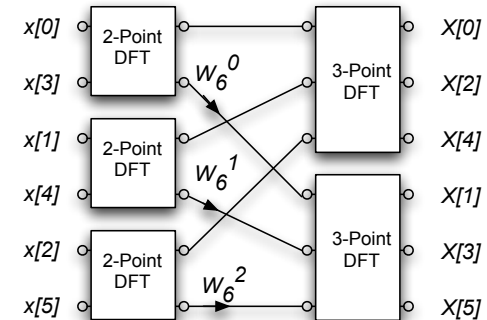


This is just the decimation-in-time algorithm reversed!  
The inputs are in normal order, and the outputs are bit reversed.

## Non-Power-of-2 FFT's

A similar argument applies for any length DFT, where the length  $N$  is a composite number.

For example, if  $N = 6$ , a decimation-in-time FFT could compute three 2-point DFT's followed by two 3-point DFT's



## Non-Power-of-2 FFT's

Good component DFT's are available for lengths up to 20 or so. Many of these exploit the structure for that specific length. For example, a factor of

$$W_N^{N/4} = e^{-j\frac{2\pi}{N}(N/4)} = e^{-j\frac{\pi}{2}} = -j \quad \text{Why?}$$

just swaps the real and imaginary components of a complex number, and doesn't actually require any multiplies. Hence a DFT of length 4 doesn't require any complex multiplies. Half of the multiplies of an 8-point DFT also don't require multiplication. Composite length FFT's can be very efficient for any length that factors into terms of this order.

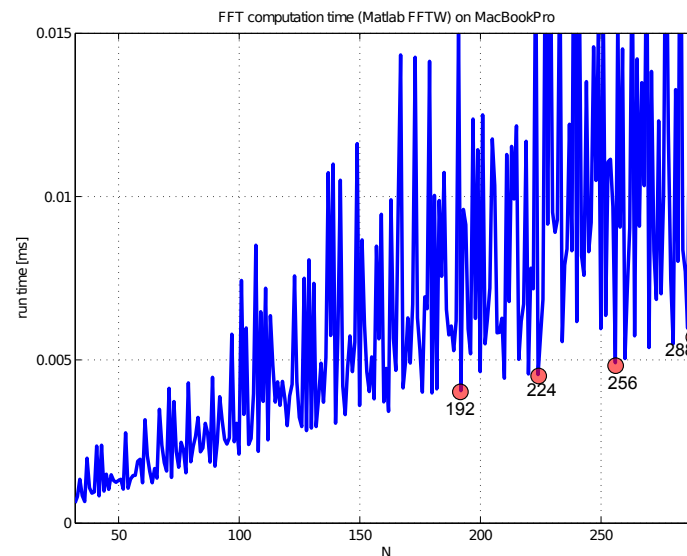
For example  $N = 693$  factors into

$$N = (7)(9)(11)$$

each of which can be implemented efficiently. We would perform

- $9 \times 11$  DFT's of length 7
- $7 \times 11$  DFT's of length 9, and
- $7 \times 9$  DFT's of length 11

- Historically, the power-of-two FFTs were much faster (better written and implemented).
- For non-power-of-two length, it was faster to zero pad to power of two.
- Recently this has changed. The free FFTW package implements very efficient algorithms for almost any filter length. **Matlab has used FFTW since version 6**



## FFT as Matrix Operation

$$\begin{pmatrix} X[0] \\ \vdots \\ X[k] \\ \vdots \\ X[N-1] \end{pmatrix} = \begin{pmatrix} W_N^{00} & \dots & W_N^{0n} & \dots & W_N^{0(N-1)} \\ \vdots & \ddots & \vdots & \ddots & \vdots \\ W_N^{k0} & \dots & W_N^{kn} & \dots & W_N^{k(N-1)} \\ \vdots & \ddots & \vdots & \ddots & \vdots \\ W_N^{(N-1)0} & \dots & W_N^{(N-1)n} & \dots & W_N^{(N-1)(N-1)} \end{pmatrix} \begin{pmatrix} x[0] \\ \vdots \\ x[n] \\ \vdots \\ x[N-1] \end{pmatrix}$$

- $W_N$  is fully populated  $\Rightarrow N^2$  entries.

## FFT as Matrix Operation

$$\begin{pmatrix} X[0] \\ \vdots \\ X[k] \\ \vdots \\ X[N-1] \end{pmatrix} = \begin{pmatrix} W_N^{00} & \dots & W_N^{0n} & \dots & W_N^{0(N-1)} \\ \vdots & \ddots & \vdots & \ddots & \vdots \\ W_N^{k0} & \dots & W_N^{kn} & \dots & W_N^{k(N-1)} \\ \vdots & \ddots & \vdots & \ddots & \vdots \\ W_N^{(N-1)0} & \dots & W_N^{(N-1)n} & \dots & W_N^{(N-1)(N-1)} \end{pmatrix} \begin{pmatrix} x[0] \\ \vdots \\ x[n] \\ \vdots \\ x[N-1] \end{pmatrix}$$

- $W_N$  is fully populated  $\Rightarrow N^2$  entries.
- FFT is a decomposition of  $W_N$  into a more sparse form:

$$F_N = \begin{bmatrix} I_{N/2} & D_{N/2} \\ I_{N/2} & -D_{N/2} \end{bmatrix} \begin{bmatrix} W_{N/2} & 0 \\ 0 & W_{N/2} \end{bmatrix} \begin{bmatrix} \text{Even-Odd Perm.} \\ \text{Matrix} \end{bmatrix}$$

- $I_{N/2}$  is an identity matrix.  $D_{N/2}$  is a diagonal with entries  $1, W_N, \dots, W_N^{N/2-1}$

# FFT as Matrix Operation

Example:  $N = 4$

$$F_4 = \begin{bmatrix} 1 & 0 & 1 & 0 \\ 0 & 1 & 0 & W_4 \\ 1 & 0 & -1 & 0 \\ 0 & 1 & 0 & -W_4 \end{bmatrix} \begin{bmatrix} 1 & 1 & 0 & 0 \\ 1 & -1 & 0 & 0 \\ 0 & 0 & 1 & 1 \\ 0 & 0 & 1 & -1 \end{bmatrix} \begin{bmatrix} 1 & 0 & 0 & 0 \\ 0 & 0 & 1 & 0 \\ 0 & 1 & 0 & 0 \\ 0 & 0 & 0 & 1 \end{bmatrix}$$

# Beyond NlogN

- What if the signal  $x[n]$  has a  $k$  sparse frequency
  - A. Gilbert et. al, “Near-optimal sparse Fourier representations via sampling
  - H. Hassanieh et. al, “Nearly Optimal Sparse Fourier Transform”
  - Others.....
- $O(K \log N)$  instead of  $O(N \log N)$

