

- Can fix looping and combinatorial problems using the “bread-crumbs” method used in earlier lectures for a maze.
- That is, *mark* nodes as we traverse them and don't traverse previously marked nodes.
- Makes sense to talk about *preorder* and *postorder*, as for trees.

```

void preorderTraverse(Graph G, Node v) {
    if (v is unmarked) {
        mark (v);
        visit v;
        for (Edge (v, w) ∈ G)
            traverse(G, w);
    }
}

void postorderTraverse(Graph G, Node v) {
    if (v is unmarked) {
        mark (v);
        for (Edge (v, w) ∈ G)
            traverse(G, w);
        visit v;
    }
}
    
```

Recursive Depth-First Traversal of a Graph (II)

- We are often interested in traversing *all* nodes of a graph, not just those reachable from one node.
- So we can repeat the procedure as long as there are unmarked nodes.

```

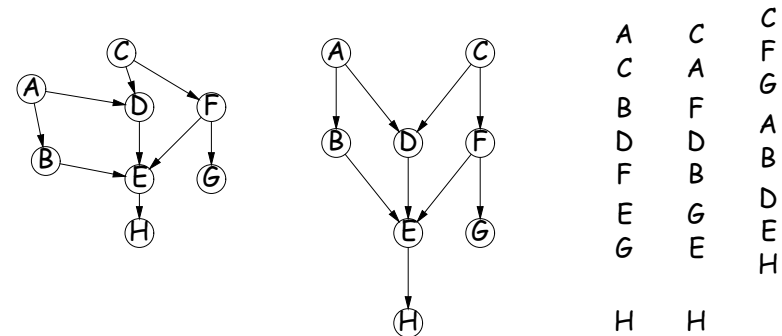
void preorderTraverse(Graph G) {
    for (v ∈ nodes of G) {
        preorderTraverse(G, v);
    }
}

void postorderTraverse(Graph G) {
    for (v ∈ nodes of G) {
        postorderTraverse(G, v);
    }
}
    
```

Topological Sorting

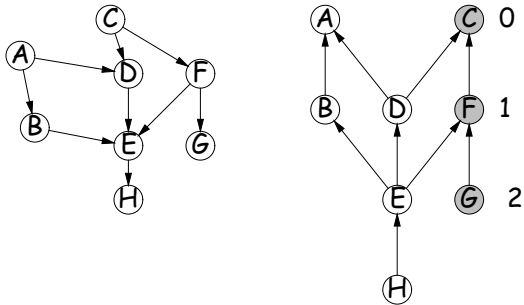
Problem: Given a DAG, find a linear order of nodes consistent with the edges.

- That is, order the nodes v_0, v_1, \dots such that v_k is never reachable from $v_{k'}$ if $k' > k$.
- Gmake does this. Also PERT charts.



Sorting and Depth First Search

- **Observation:** Suppose we *reverse the links* on our graph.
- If we do a recursive DFS on the reverse graph, starting from node H, for example, we will find all nodes that must come *before* H.
- When the search reaches a node in the reversed graph and there are no successors, we know that it is safe to put that node first.
- In general, a *postorder* traversal of the reversed graph visits nodes only after all predecessors have been visited.



Numbers show post-order traversal order starting from G: everything that must come before G.

General Graph Traversal Algorithm

```

COLLECTION_OF_VERTICES fringe;

fringe = INITIAL_COLLECTION;
while (! fringe.isEmpty()) {
    Vertex v = fringe.REMOVE_HIGHEST_PRIORITY_ITEM();

    if (! MARKED(v)) {
        MARK(v);
        VISIT(v);
        For each edge (v,w) {
            if (NEEDS_PROCESSING(w))
                Add w to fringe;
        }
    }
}
    
```

Replace *COLLECTION_OF_VERTICES*, *INITIAL_COLLECTION*, etc. with various types, expressions, or methods to different graph algorithms.

Example: Depth-First Traversal

Problem: Visit every node reachable from v once, visiting nodes further from start first.

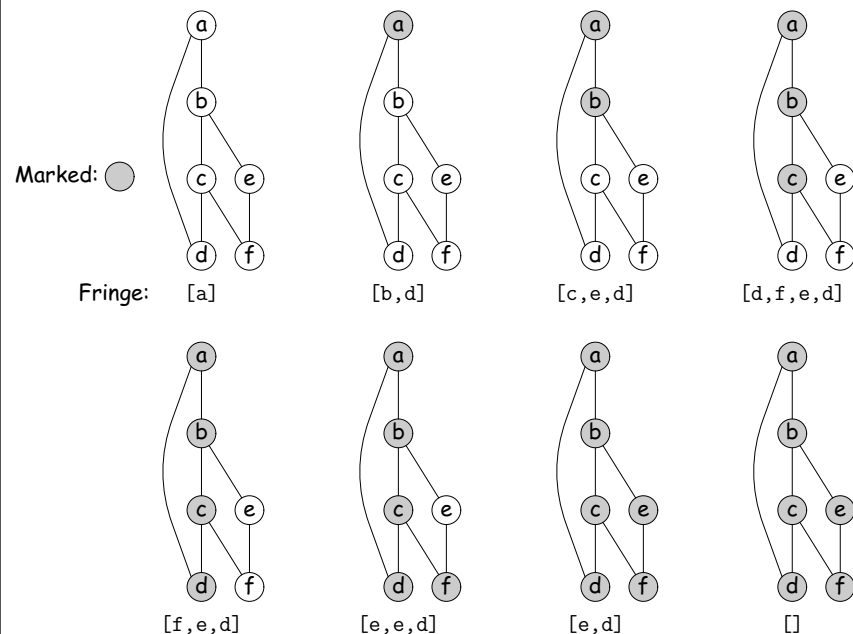
```

Stack<Vertex> fringe;

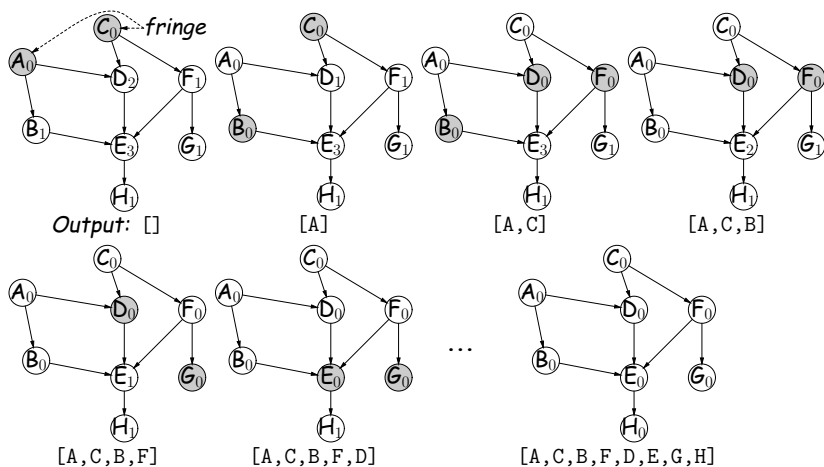
fringe = stack containing {v};
while (! fringe.isEmpty()) {
    Vertex v = fringe.pop ();

    if (! marked(v)) {
        mark(v);
        VISIT(v);
        For each edge (v,w) {
            if (! marked(w))
                fringe.push(w);
        }
    }
}
    
```

Depth-First Traversal Illustrated



Topological Sort in Action



Last modified: Fri Nov 21 03:39:44 2014

CS61B: Lecture #35 9

Shortest Paths: Dijkstra's Algorithm

Problem: Given a graph (directed or undirected) with non-negative edge weights, compute shortest paths from given source node, s , to all nodes.

- "Shortest" = sum of weights along path is smallest.
- For each node, keep estimated distance from s, \dots
- \dots and of preceding node in shortest path from s .

```

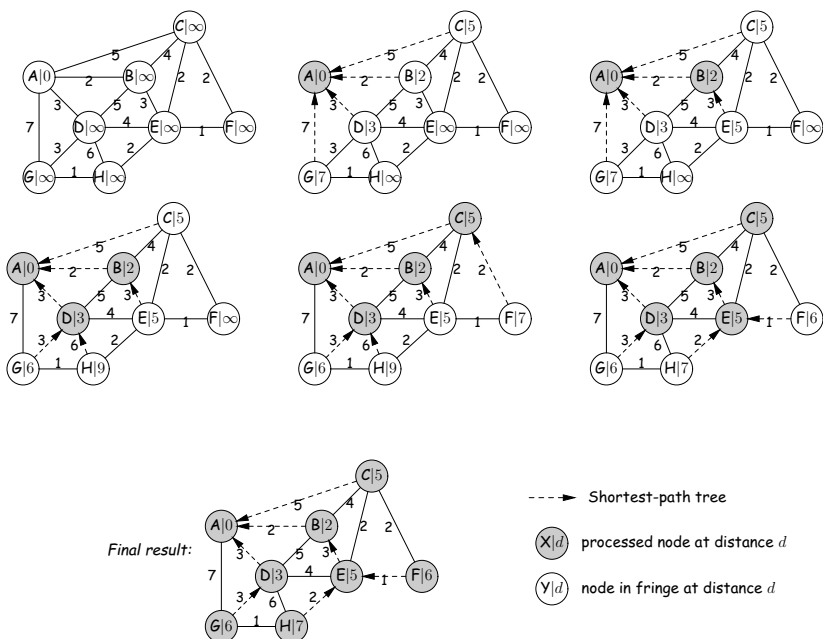
PriorityQueue<Vertex> fringe;
For each node v { v.dist() = ∞; v.back() = null; }
s.dist() = 0;
fringe = priority queue ordered by smallest .dist();
add all vertices to fringe;
while (! fringe.isEmpty()) {
    Vertex v = fringe.removeFirst ();

    For each edge (v,w) {
        if (v.dist() + weight(v,w) < w.dist())
            { w.dist() = v.dist() + weight(v,w); w.back() = v; }
    }
}
    
```

Last modified: Fri Nov 21 03:39:44 2014

CS61B: Lecture #35 10

Example



Last modified: Fri Nov 21 03:39:44 2014

CS61B: Lecture #35 11