

# CS61B Lecture #18

## Today:

- Asymptotic complexity (from last time)
- Overview of standard Java Collections classes.
  - Iterators, ListIterators
  - Containers and maps in the abstract
  - Views

**Readings for Today:** *Data Structures, Chapter 2.*

**Readings for next Topic:** *Data Structures, Chapter 3.*

## Some Intuition on Meaning of Growth

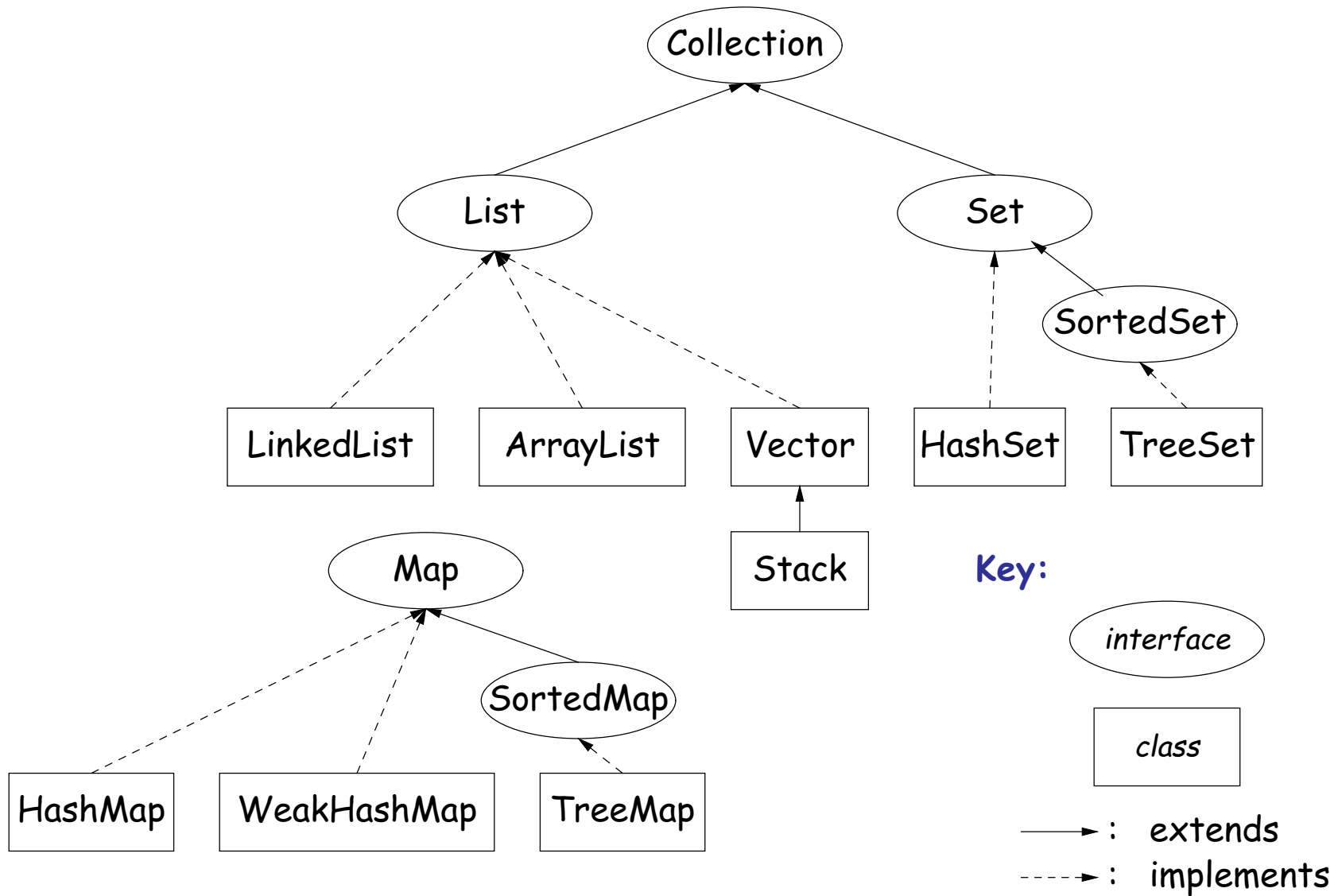
- How big a problem can you solve in a given time?
- In the following table, left column shows time in microseconds to solve a given problem as a function of problem size  $N$ .
- Entries show the *size of problem* that can be solved in a second, hour, month (31 days), and century, for various relationships between time required and problem size.
- $N =$  problem size

Time ( $\mu\text{sec}$ ) for problem size $N$	Max $N$ Possible in			
	1 second	1 hour	1 month	1 century
$\lg N$	$10^{300000}$	$10^{10000000000}$	$10^{8 \cdot 10^{11}}$	$10^{9 \cdot 10^{14}}$
$N$	$10^6$	$3.6 \cdot 10^9$	$2.7 \cdot 10^{12}$	$3.2 \cdot 10^{15}$
$N \lg N$	63000	$1.3 \cdot 10^8$	$7.4 \cdot 10^{10}$	$6.9 \cdot 10^{13}$
$N^2$	1000	60000	$1.6 \cdot 10^6$	$5.6 \cdot 10^7$
$N^3$	100	1500	14000	150000
$2^N$	20	32	41	51

# New Topic: Data Types in the Abstract

- Most of the time, should *not* worry about implementation of data structures, search, etc.
- What they do for us—their specification—is important.
- Java has several standard types (in `java.util`) to represent collections of objects
  - Six interfaces:
    - \* Collection: *General* collections of items.
    - \* List: *Indexed* sequences with duplication
    - \* Set, SortedSet: *Collections* without duplication
    - \* Map, SortedMap: *Dictionaries* (key  $\mapsto$  value)
  - *Concrete* classes that provide actual instances: `LinkedList`, `ArrayList`, `HashSet`, `TreeSet`.
  - To make change easier, purists would use the concrete types only for **new**, interfaces for parameter types, local variables.

# Collection Structures in java.util



# The Collection Interface

- Collection interface. Main functions promised:
  - Membership tests: `contains` ( $\in$ ), `containsAll` ( $\subseteq$ )
  - Other queries: `size`, `isEmpty`
  - Retrieval: `iterator`, `toArray`
  - *Optional* modifiers: `add`, `addAll`, `clear`, `remove`, `removeAll` (set difference), `retainAll` (intersect)
- Design point (a side trip): Optional operations may throw

`UnsupportedOperationException`

- An alternative design would have separate interfaces:

```
interface Collection { contains, containsAll, size, iterator, ... }
interface Expandable { add, addAll }
interface Shrinkable { remove, removeAll, difference, ... }
interface ModifiableCollection
    extends Collection, Expandable, Shrinkable { }
...

```

You'd soon have lots of interfaces. Perhaps that's why they didn't do it that way.)

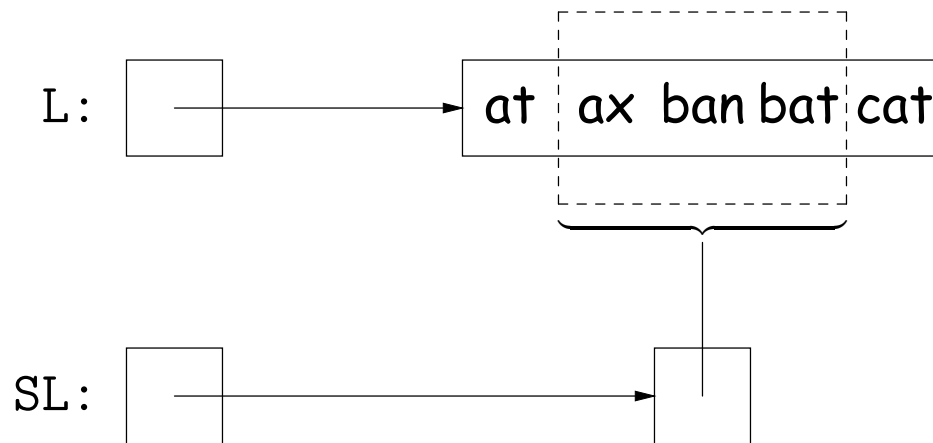
# The List Interface

- Extends Collection
- Intended to represent *indexed sequences* (generalized arrays)
- Adds new methods to those of Collection:
  - Membership tests: `indexOf`, `lastIndexOf`.
  - Retrieval: `get(i)`, `listIterator()`, `sublist(B, E)`.
  - Modifiers: `add` and `addAll` with additional index to say *where* to add. Likewise for removal operations. `set` operation to go with `get`.
- Type `ListIterator<Item>` extends `Iterator<Item>`:
  - Adds `previous` and `hasPrevious`.
  - `add`, `remove`, and `set` allow one to iterate through a list, inserting, removing, or changing as you go.
  - **Important Question:** What advantage is there to saying `List L` rather than `LinkedList L` or `ArrayList L`?

# Views

**New Concept:** A view is an alternative presentation of (interface to) an existing object.

- For example, the `sublist` method is supposed to yield a “view of” part of an existing list:



```
List<String> L = new ArrayList<String>();  
L.add ("at"); L.add("ax"); ...  
List<String> SL = L.sublist (1,4);
```

- **Example:** after `L.set(2, "bag")`, value of `SL.get(1)` is "bag", and after `SL.set(1, "bad")`, value of `L.get(2)` is "bad".
- **Example:** after `SL.clear()`, L will contain only "at" and "cat".
- **Small challenge:** "How do they do that?!"

# Maps

- A Map is a kind of “modifiable function:”

```
package java.util;
public interface Map<Key,Value> {
    Value get (Object key);           // Value at KEY.
    Object put (Key key, Value value); // Set get(KEY) -> VALUE
    ...
}
```

---

```
Map<String,String> f = new TreeMap<String,String> ();
f.put ("Paul", "George"); f.put ("George", "Martin");
f.put ("Dana", "John");
// Now f.get ("Paul").equals ("George")
//     f.get ("Dana").equals ("John")
//     f.get ("Tom") == null
```



# Map Views

```
public interface Map<Key,Value> { // Continuation
    /* VIEWS */
    /** The set of all keys. */
    Set<Key> keySet ();
    /** The multiset of all values */
    Collection<Value> values ();
    /** The set of all (key, value) pairs */
    Set<Map.Entry<Key,Value>> entrySet ();
}
```

Using example from previous slide:

```
for (Iterator<String> i = f.keySet ().iterator (); i.hasNext ();)
    i.next () ==> Dana, George, Paul
// or, just:
for (String name : f.keySet ())
    name ==> Dana, George, Paul

for (String parent : f.values ())
    parent ==> John, Martin, George
for (Map.Entry<String,String> pair : f.entrySet ())
    pair ==> (Dana,John), (George,Martin), (Paul,George)
f.keySet ().remove ("Dana"); // Now f.get("Dana") == null
```